

# VAREGRUPPE

# INDEKS

<b>105</b>	<b>GRUNDFOS DYKPUMPER</b>	<b>SP2A / 3A</b>	<b>Side 105-1</b>
		SP5A	Side 105-2
		SP7	Side 105-3
		SP9	Side 105-4
		SP11	Side 105-5
		SP14	Side 105-6
		SP18	Side 105-7
		SP30	Side 105-8
		SP46	Side 105-9
		SP60	Side 105-10
		SP77	Side 105-11
		SP95	Side 105-12
		SP125	Side 105-13
		SP160	Side 105-14
		Dykmotorer, Motorbesk, Motorkabler	Side 105-15
		Dykmotorer, Motorbesk, Motorkabler	Side 105-16
		Gummikabel og kablesamlesæt	Side 105-17
		CUE-Frekvensomformer	Side 105-18
<b>110</b>	<b>GRUNDFOS IN-LINE PUMPER</b>	<b>TP80 Serie 300</b>	<b>Side 110-1</b>
<b>115</b>	<b>GRUNDFOS DYKPUMPER</b>	<b>SQE 2</b>	<b>Side 115-1</b>
		SQE 3	Side 115-2
		SQE 5	Side 115-3
		Gummikabel og Kablesamlesæt	Side 115-4
<b>120</b>	<b>GRUNDFOS CIRK.PUMPER OG TRYKFORØGERE</b>	<b>CM 3 / 5 / 10 – 1x230V</b>	<b>Side 120-1</b>
		CM 3 / 5 / 10 – 3x400V	Side 120-2
		CM 15 / 25	Side 120-3
		CMBE 3 / 5 / Scala2 – 1x230v	Side 120-4
<b>125</b>	<b>GRUNDFOS CENTR.PUMPER</b>	<b>CR 3</b>	<b>Side 125-1</b>
		CR 5	Side 125-2
		CR10	Side 125-3
		CR15	Side 125-4
		CR20	Side 125-5
		CR32	Side 125-6
		CR45	Side 125-7
		CR64	Side 125-8
<b>130</b>	<b>GRUNDFOS SELVANS.PUMPER</b>	<b>Rustfri JP 5 og JP 6</b>	<b>Side 130-1</b>

Fortsættes næste side



<b>VAREGRUPPE</b>		<b>INDEKS</b>	
131	DAB	Hus og havepumper	Side 131-1
		Dykpumper	Side 132-2
132	SEALAND, HONDA/PACER	Hus og havepumper	Side 132-1
		Små specialpumper	Side 132-2
		Hondapumper, Pacerpumper	Side 132-3
		Speroni WX Pumper	Side 132-4
135	GRUNDFOS UNILIFT	KP 150 / 250 / 350 Unilift	Side 135-1
		CC 5 / 7 / 9 Unilift	Side 135-2
135	GRUNDFOS AFLØBSPUMPER	AP 12 Afløbspumper	Side 135-3
		AP Basic Afløbspumper	Side 135-4
140	ZENIT SPILDEV. PUMPER	Spildevandspumper m. knivskær	Side 140-1
		Spildevandspumper m. fristrømshjul	Side 140-2
		Spildevandspumper m. kanalhjul	Side 140-3
		Små spildevandspumper	Side 140-4
		Motorv., Niv.afbr. Automatiskabe	Side 140-5
145	TILBEHØR ZENIT PUMPER	Koblingsfødder, ventiler, kæde	Side 145-1
150	ATLAS COPCO	WEDA Lænsepumper	Side 150-1
160	CAPRARI PUMPER	HVU vertikale trykpumper	Side 160-1
		MEC-A Centr. Pumper.	Side 160-2
		MEC-MR Centr. Pumper.	Side 160-3
165	ROVATTI PUMPER	MEKV vertikale trykpumper	Side 165-1
		S2K65/2 Centr. Pumper	Side 165-2
		S2K80/2 Centr. Pumper	Side 165-3
		S3K100 Centr. Pumper	Side 165-4
170	OCMIS/LANDINI PUMPER	Pumper for dieselmotor	Side 170-1
		Landini Borerørspumper	Side 170-2
		Ocmis Traktorpumper	Side 170-3
175	TILBEHØR TRAKTORPUMPER	Suge- Trykstudse, Stel, Ans.Pumpe	Side 175-1
180	ELMOTORER	Fod- og Flangemotorer 3000 Omdr.	Side 180-1
		Fod- og Flangemotorer 1500 Omdr.	Side 180-2
		Elmotorer – målskitser	Side 180-4
		Elmotorer – målskitser/lejetabel	Side 180-5
185	MOTORKOBLINGER	Bico motorkoblinger 70TL	Side 185-1
		Bico motorkoblinger 90TL	Side 185-2
		Bico motorkoblinger 130TL	Side 185-3
		Bico motorkoblinger 150TL	Side 185-4
		Bico motorkoblinger 180TL	Side 185-5



## GRUNDFOS DYKPUMPER

## SP2A / SP3A

Type	Motor		Ydelse m <sup>3</sup> /t							Varenr.	Enhedspris kr.
	HK	KW	0,5	1,0	1,5	2,0	2,2	2,5			
			Løftehøjde m.v.s.								
SP2A-6	0,50	0,37	35	32	29	24	20	15	38 8312 060		
SP2A-9	0,50	0,37	51	48	42	34	29	20	38 8312 090		
SP2A-13	0,75	0,55	74	69	62	49	43	30	38 8312 130		
SP2A-18	1,00	0,75	104	97	86	70	60	43	38 8312 180		

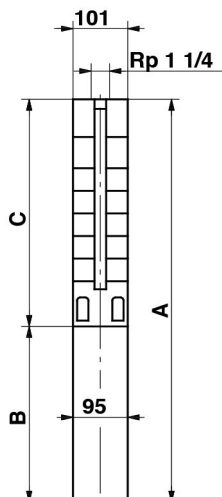
Type	Motor		Ydelse m <sup>3</sup> /t							Varenr.	Enhedspris kr.
	HK	KW	1,0	2,0	3,0	4,0					
			Løftehøjde m.v.s.								
SP3A-6	0,50	0,37	34	31	25	15			38 8313 060		
SP3A-9	0,75	0,55	52	47	38	22			38 8313 090		
SP3A-12	1,00	0,75	70	63	52	30			38 8313 120		
SP3A-15	1,50	1,1	88	80	65	39			38 8313 150		
SP3A-18	1,50	1,1	104	94	77	45			38 8313 180		
SP3A-22	2,00	1,5	128	116	95	57			38 8313 220		
SP3A-25	2,00	1,5	145	131	107	62			38 8313 250		
SP3A-29	3,00	2,2	171	155	128	78			38 8313 290		



## TEKNISKE DATA

## SP2A/SP3A

### Dimensions and weights

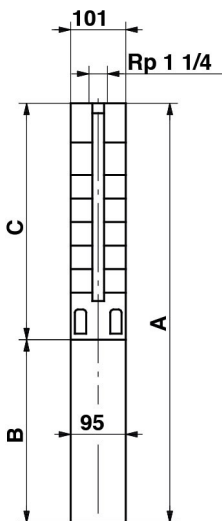


101 mm = Maximum diameter of pump inclusive of cable guard and motor.

SP 2A-75 and SP 2A-90 are mounted in sleeve for R 1 1/4 connection and with a maximum diameter of 108 mm.

Pump type	Motor		Dimensions [mm]			Net weight [kg]
	Type	Power [kW]	C	B	A	
Three-phase, 3 x 230 V / 3 x 400 V						
SP 2A-6	MS 402	0.37	281	226	507	9
SP 2A-9	MS 402	0.37	344	226	570	9
SP 2A-13	MS 402	0.55	428	241	669	11
SP 2A-18	MS 402	0.75	533	276	809	13
SP 2A-23	MS 402	1.1	638	306	944	16
SP 2A-28	MS 402	1.5	743	346	1089	18
SP 2A-33	MS 402	1.5	844	346	1190	19
SP 2A-40	MS 402	2.2	1040	346	1386	27
SP 2A-48	MS 402	2.2	1208	346	1554	30
SP 2A-55	MS 4000	3.0	1355	493	1848	38
SP 2A-65	MS 4000	3.0	1565	493	2058	41
SP 2A-75	MS 4000	4.0	1954	573	2527	57
SP 2A-90	MS 4000	4.0	2269	573	2842	64

### Dimensions and weights



101 mm = Maximum diameter of pump inclusive of cable guard and motor.

TM00 0955 1196

Pump type	Motor		Dimensions [mm]			Net weight [kg]
	Type	Power [kW]	C	B	A	
Three-phase, 3 x 230 V / 3 x 400 V						
SP 3A-6*	MS 402	0.37	281	226	507	9
SP 3A-6N	MS 4000R	0.75	326	398	724	18
SP 3A-9*	MS 402	0.55	344	241	585	10
SP 3A-9N	MS 4000R	0.75	389	398	787	19
SP 3A-12*	MS 402	0.75	407	276	683	12
SP 3A-12N	MS 4000R	0.75	452	398	850	20
SP 3A-15*	MS 402	1.1	470	306	776	14
SP 3A-15N	MS 4000R	1.1	515	413	928	22
SP 3A-18*	MS 402	1.1	533	306	839	15
SP 3A-18N	MS 4000R	1.1	578	413	991	23
SP 3A-22*	MS 402	1.5	617	346	963	17
SP 3A-22N	MS 4000R	1.5	662	413	1075	24
SP 3A-25*	MS 402	1.5	680	346	1026	18
SP 3A-25N	MS 4000R	1.5	725	413	1138	25
SP 3A-29*	MS 402	2.2	764	346	1110	20
SP 3A-29N	MS 4000R	2.2	809	453	1262	28
SP 3A-33*	MS 402	2.2	848	346	1194	21
SP 3A-33N	MS 4000R	2.2	893	453	1346	29
SP 3A-39	MS 4000	3.0	1019	493	1512	32
SP 3A-45	MS 4000	3.0	1145	493	1638	34
SP 3A-52	MS 4000	4.0	1292	573	1865	41
SP 3A-60	MS 4000	4.0	1460	573	2033	43

\* Pumps with spline shaft are only available in stainless steel EN 1.4301/AISI 304.

**Note:** All other pumps listed above are also available in N- and R-versions. See page 5.

## GRUNDFOS DYKPUMPER

## SP5A

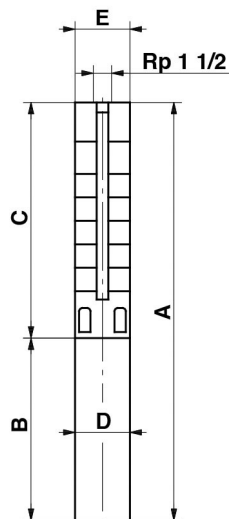
Type	Motor		Ydelse m <sup>3</sup> /t					Varenr.	Enhedspris kr.
	HK	KW	2	3	4	5	6		
			Løftehøjde m.v.s.						
SP5A-4	0,5	0,37	22	20	18	15	11	38 8315 040	
SP5A-6	0,75	0,55	33	31	28	23	17	38 8315 060	
SP5A-8	1,0	0,75	44	41	37	32	23	38 8315 080	
SP5A-12	1,5	1,1	66	62	56	47	34	38 8315 120	
SP5A-17	2,0	1,5	94	88	79	66	48	38 8315 170	
SP5A-21	3,0	2,2	118	110	100	85	62	38 8315 210	
SP5A-25	3,0	2,2	139	130	117	99	72	38 8315 250	
SP5A-33	4,0	3,0	183	171	154	130	94	38 8315 330	
SP5A-38	5,5	4,0	218	204	185	156	115	38 8315 380	
SP5A-44	5,5	4,0	245	228	206	174	127	38 8315 440	



## TEKNISKE DATA

## SP5A

### Dimensions and weights



SP 5A-75 and SP 5A-85 are mounted in sleeve for R 1 1/2 connection.

TM00 09566 1196

Pump type	Motor		Dimensions [mm]					Net weight [kg]
	Type	Power [kW]	C	B	A	D	E	
Three-phase, 3 x 230 V / 3 x 400 V								
SP 5A-4*	MS 402	0.37	240	226	466	95	101	8
SP 5A-4N	MS 4000R	0.75	284	398	682	95	101	17
SP 5A-6*	MS 402	0.55	282	241	523	95	101	10
SP 5A-6N	MS 4000R	0.75	326	398	724	95	101	18
SP 5A-8*	MS 402	0.75	324	276	600	95	101	11
SP 5A-8N	MS 4000R	0.75	368	398	766	95	101	19
SP 5A-12*	MS 402	1.1	408	306	714	95	101	13
SP 5A-12N	MS 4000R	1.1	452	413	865	95	101	21
SP 5A-17*	MS 402	1.5	513	346	859	95	101	16
SP 5A-17N	MS 4000R	1.5	557	413	970	95	101	22
SP 5A-21*	MS 402	2.2	597	346	943	95	101	18
SP 5A-21N	MS 4000R	2.2	641	453	1094	95	101	25
SP 5A-25*	MS 402	2.2	681	346	1027	95	101	19
SP 5A-25N	MS 4000R	2.2	725	453	1178	95	101	27
SP 5A-33*	MS 4000	3.0	849	493	1342	95	101	26
SP 5A-33N	MS 4000R	3.0	893	493	1386	95	101	30
SP 5A-38	MS 4000	4.0	998	573	1571	95	101	36
SP 5A-44	MS 4000	4.0	1124	573	1697	95	101	38
SP 5A-52	MS 4000	5.5	1292	673	1965	95	101	46
SP 5A-60	MS 4000	5.5	1460	673	2133	95	101	48
SP 5A-52	MS 6000	5.5	1354	541	1895	139.5	139.5	60
SP 5A-60	MS 6000	5.5	1522	541	2063	139.5	139.5	63
SP 5A-75	MS 6000	7.5	2146	571	2717	139.5	140	86
SP 5A-85	MS 6000	7.5	2356	571	2927	139.5	140	92

E = Maximum diameter of pump inclusive of cable guard and motor.

\* Pumps with spline shaft are only available in stainless steel EN 1.4301/AISI 304.

**Note:** All other pumps listed above are also available in N- and R-versions. See page 5.  
Pumps mounted in sleeve are only available in standard and N-versions.



## GRUNDFOS DYKPUMPER

## SP9

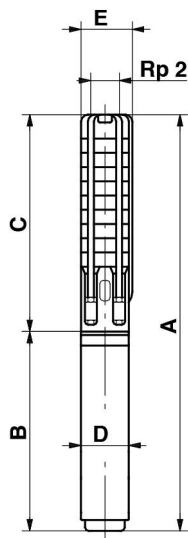
Type	Motor		Ydelse m <sup>3</sup> /t					Varenr.	Enhedspris kr.
	HK	KW	3	5	7	9	11		
			Løftehøjde m.v.s.						
SP9-4	1,0	0,75	25	24	23	20	15	38 8380 004	
SP9-5	1,5	1,1	31	30	30	27	20	38 8380 005	
SP9-8	2,0	1,5	51	50	47	40	30	38 8380 008	
SP9-11	3,0	2,2	70	69	65	57	43	38 8380 011	
SP9-13	4,0	3,0	83	81	78	68	51	38 8380 013	
SP9-16	4,0	3,0	100	99	92	80	61	38 8380 016	
SP9-18	5,5	4,0	115	113	107	92	71	38 8380 018	
SP9-21	5,5	4,0	133	130	122	108	81	38 8380 021	
SP9-25	7,5	5,5	160	158	149	130	101	38 8380 025	
SP9-29	7,5	5,5	185	180	170	150	112	38 8380 029	
SP9-36	10,0	7,5	230	225	211	186	141	38 8380 036	



## TEKNISKE DATA

## SP9

### Dimensions and weights



TM00 0957 1196

SP 9-59 to SP 9-80 are mounted in sleeve for R 2 connection.

Pump type	Motor		Dimensions [mm]					Net weight [kg]
	Type	Power [kW]	C	B	A	D	E	
Three-phase. 3 x 220-230 V / 3 x 380-400-415 V								
SP 9-5	MS 402	1.1	488	347	835	95	101	15.5
SP 9-5	MS 4000	1.1	488	417	905	95	101	20.2
SP 9-8	MS 402	1.5	638	387	1025	95	101	19.0
SP 9-8	MS 4000	1.5	638	417	1055	95	101	22.0
SP 9-11	MS 402	2.2	788	387	1175	95	101	22.1
SP 9-11	MS 4000	2.2	788	457	1245	95	101	25.7
SP 9-13	MS 4000	3	888	497	1385	95	101	28.9
SP 9-16	MS 4000	3	1038	497	1535	95	101	30.6
SP 9-18	MS 4000	4	1138	577	1715	95	101	35.8
SP 9-21	MS 4000	4	1288	577	1865	95	101	37.5
SP 9-23	MS 4000	5.5	1388	677	2065	95	101	43.7
SP 9-25	MS 4000	5.5	1488	677	2165	95	101	44.8
SP 9-29	MS 4000	5.5	1688	677	2365	95	101	47.2
SP 9-32	MS 4000	7.5	1838	777	2615	95	101	52.9
SP 9-36	MS 4000	7.5	2038	777	2815	95	101	55.2
SP 9-40	MS 4000	7.5	2238	777	3015	95	101	57.6
SP 9-23	MS 6000	5.5	1451	547	1998	139.5	139.5	52.6
SP 9-25	MS 6000	5.5	1551	547	2098	139.5	139.5	53.8
SP 9-29	MS 6000	5.5	1751	547	2298	139.5	139.5	56.2
SP 9-32	MS 6000	7.5	1901	577	2478	139.5	139.5	60.9
SP 9-36	MS 6000	7.5	2101	577	2678	139.5	139.5	63.3
SP 9-40	MS 6000	7.5	2301	577	2878	139.5	139.5	65.6
SP 9-44	MS 6000	9.2	2501	607	3108	139.5	139.5	75.5
SP 9-48	MS 6000	9.2	2701	607	3308	139.5	139.5	78.2
SP 9-52	MS 6000	11	2901	637	3538	139.5	139.5	83.7
SP 9-56	MS 6000	11	3396	637	4033	139.5	140	106.9
SP 9-60	MS 6000	13	3596	667	4263	139.5	140	113.4
SP 9-65	MS 6000	13	3846	667	4513	139.5	140	117.7
SP 9-69	MS 6000	13	4046	667	4713	139.5	140	121.2
SP 9-75	MS 6000	15	4346	702	5048	139.5	140	130.4
SP 9-79	MS 6000	15	4546	702	5248	139.5	140	133.9

E = Maximum diameter of pump inclusive of cable guard and motor.

**Note:** The pump types above are also available in N- and R-versions. See page 5.  
Pumps mounted in sleeve are only available in standard and N-versions.

## GRUNDFOS DYKPUMPER

## SP11

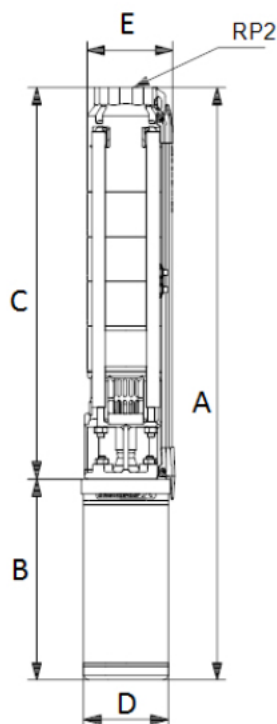
Type	Motor		Ydelse m <sup>3</sup> /t					Varenr.	Enhedspris kr.
	HK	KW	6	8	10	12	14		
			Løftehøjde m.v.s.						
SP11-3	1,0	0,75	17	16	14	12	9	38 8381 003	
SP11-5	1,5	1,10	27	26	24	20	15	38 8381 005	
SP11-7	2,0	1,50	38	37	34	28	22	38 8381 007	
SP11-11	3,0	2,20	61	57	52	45	35	38 8381 011	
SP11-15	4,0	3,00	82	78	71	61	48	38 8381 015	
SP11-20	5,5	4,00	110	104	95	81	64	38 8381 020	
SP11-24	7,5	5,50	133	127	116	101	80	38 8381 024	
SP11-28	7,5	5,50	154	146	133	115	90	38 8381 028	



## TEKNISKE DATA

## SP11

### Dimensions and weights



TM00 0956 1196

Pump type	Motor		Dimensions [mm]					Net weight [kg]
	Type	Power [kW]	C	B	A	D	E	
Three-phase, 3 x 220-230 V / 3 x 380-400-415 V								
SP 11-3	MS 402	0.75	463	317	780	95	101	14.4
SP 11-3	MS 4000	0.75	463	402	865	95	101	19.5
SP 11-5	MS 402	1.1	613	347	960	95	101	16.7
SP 11-5	MS 4000	1.1	613	417	1030	95	101	21.5
SP 11-7	MS 402	1.5	763	387	1150	95	101	20.4
SP 11-7	MS 4000	1.5	763	417	1180	95	101	23.5
SP 11-11	MS 402	2.2	1063	387	1450	95	101	24.8
SP 11-11	MS 4000	2.2	1063	457	1520	95	101	28.5
SP 11-15	MS 4000	3	1363	497	1860	95	101	33.5
SP 11-20	MS 4000	4	1738	577	2315	95	101	41.6
SP 11-24	MS 4000	5.5	2038	677	2715	95	101	49.6
SP 11-24	MS 6000	5.5	2101	547	2648	139.5	139.5	60.4
SP 11-28	MS 4000	5.5	2338	677	3015	95	101	52.6
SP 11-28	MS 6000	5.5	2401	547	2948	139.5	139.5	63.4
SP 11-33	MS 4000	7.5	2713	777	3490	95	101	60.6
SP 11-33	MS 6000	7.5	2776	577	3353	139.5	139.5	70.4

E = Maximum diameter of pump inclusive of cable guard and motor.

**Note:** All other pumps listed above are also available in N- and R-versions. See page 5.

Pumps mounted in sleeve are only available in standard and N-versions.

## GRUNDFOS DYKPUMPER

## SP14

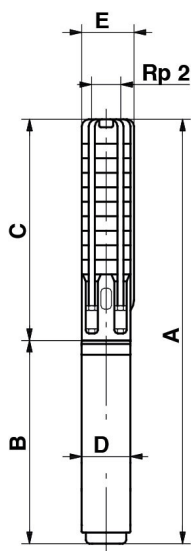
Type	Motor		Ydelse m <sup>3</sup> /t							Varenr.	Enhedspris kr.
	HK	KW	8	10	12	14	16	18			
			Løftehøjde m.v.s.								
SP14-4	1,5	1,1	22	21	20	18	13	11	38 8382 004		
SP14-6	2,0	1,5	33	31	29	23	21	17	38 8382 006		
SP14-8	3,0	2,2	44	42	39	35	30	23	38 8382 008		
SP14-13	4,0	3,0	70	67	62	55	47	36	38 8382 013		
SP14-17	5,5	4,0	92	87	81	73	62	47	38 8382 017		
SP14-23	7,5	5,5	125	118	110	99	84	65	38 8382 023		



## TEKNISKE DATA

## SP14

### Dimensions and weights



TM00 0957 1196

Pump type	Motor		Dimensions [mm]					Net weigh [kg]
	Type	Power [kW]	C	B	A	D	E	
Three-phase, 3 x 220-230 V / 3 x 380-400-415 V								
SP 14-4	MS 402	1.1	538	347	885	95	101	15.4
SP 14-4	MS 4000	1.1	538	417	955	95	101	21.5
SP 14-6	MS 402	1.5	688	387	1075	95	101	17.7
SP 14-6	MS 4000	1.5	688	417	1105	95	101	22.5
SP 14-8	MS 402	2.2	838	387	1225	95	101	22.8
SP 14-8	MS 4000	2.2	838	573	1411	95	101	26.5
SP 14-11	MS 4000	3	1063	497	1560	95	101	30.5
SP 14-13	MS 4000	3	1213	497	1710	95	101	31.5
SP 14-15	MS 4000	4	1363	577	1940	95	101	37.5
SP 14-17	MS 4000	4	1513	577	2090	95	101	38.6
SP 14-20	MS 4000	5.5	1738	677	2415	95	101	46.6
SP 14-20	MS 6000	5.5	1801	547	2348	139.5	139.5	57.4
SP 14-23	MS 4000	5.5	1963	677	2640	95	95	48.6
SP 14-23	MS 6000	5.5	2026	547	2573	139.5	139.5	59.4
SP 14-27	MS 4000	7.5	2263	777	3040	95	95	55.6
SP 14-27	MS 6000	7.5	2325	577	2902	139.5	139.5	65.4

E = Maximum diameter of pump inclusive of cable guard and motor.

**Note:** The pump types above are also available in N- and R- versions. See page 5.

## GRUNDFOS DYKPUMPER

## SP18

Type	Motor		Ydelse m <sup>3</sup> /t								Varenr.
			10	12	14	16	18	20	22		
	HK	KW	Løftehøjde m.v.s.								
SP 18-1	0,75	0,55	10	9	8	8	7	6	5	38 8337 010	
SP 18-2	1,5	1,1	19	18	17	16	14	12	11	388337 020	
SP 18-3	3,0	2,2	31	29	27	25	23	21	17	38 8337 030	
SP 18-4	3,0	2,2	40	37	35	32	30	26	22	38 8337 040	
SP 18-5	4,0	3,0	50	47	45	41	37	32	28	38 8337 050	
SP 18-7	5,5	4,0	70	68	62	58	52	46	40	38 8337 070	
SP 18-8	7,5	5,5	82	78	72	68	60	53	46	38 8337 080	
SP 18-10	7,5	5,5	100	95	90	84	76	66	57	38 8337 100	
SP 18-13	10	7,5	130	121	116	106	99	82	71	38 8337 130	







## GRUNDFOS DYKPUMPER

## SP30

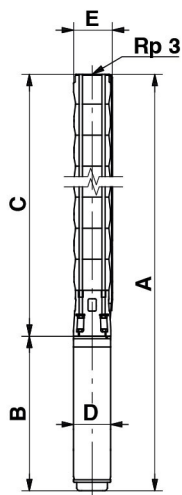
Type	Motor		Ydelse m <sup>3</sup> /t						Varenr.	Enhedspris kr.
	HK	KW	16	20	24	28	32	35		
			Løftehøjde m.v.s.							
SP 30-1	1,5	1,1	10	9	8	7	6	4	38 8338 010	
SP 30-2	3,0	2,2	20	18	17	16	13	11	38 8338 020	
SP 30-3	4,0	3,0	30	27	26	23	20	16	38 8338 030	
SP 30-4	5,5	4,0	40	37	35	32	27	22	38 8338 040	
SP 30-6	7,5	5,5	60	56	53	47	41	34	38 8338 060	
SP 30-8	10,0	7,5	80	76	71	64	55	45	38 8338 080	
SP 30-11	12,5	9,2	110	106	97	87	75	65	38 8338 110	
SP 30-13	15,0	11,0	130	122	114	104	89	74	38 8338 130	
SP 30-15	17,5	13,0	150	142	133	120	104	88	38 8338 150	



## TEKNISKE DATA

## SP30

### Dimensions and weights



Pump type	Motor		Dimensions [mm]					Net weight [kg]	
	Type	Power [kW]	C	B	A	D	E*		E**
Three-phase, 3 x 230 V / 3 x 400 V									
SP 30-1	MS 402	1.1	358	347	705	95	134	15	
SP 30-1	MS 4000	1.1	358	417	775	95	134	20	
SP 30-2	MS 402	2.2	387	457	844	95	134	19	
SP 30-2	MS 4000	2.2	454	457	911	95	134	24	
SP 30-3	MS 4000	3.0	550	497	1047	95	134	26	
SP 30-4	MS 4000	4.0	646	577	1223	95	134	32	
SP 30-5	MS 4000	5.5	742	677	1419	95	134	39	
SP 30-6	MS 4000	5.5	838	677	1515	95	134	41	
SP 30-7	MS 4000	7.5	934	777	1711	95	134	48	
SP 30-8	MS 4000	7.5	1030	777	1807	95	134	50	
SP 30-5	MS 6000	5.5	761	544	1305	139.5	142	144	47
SP 30-6	MS 6000	5.5	857	544	1401	139.5	142	144	49
SP 30-7	MS 6000	7.5	953	574	1527	139.5	142	144	55
SP 30-8	MS 6000	7.5	1049	574	1623	139.5	142	144	57
SP 30-9	MS 6000	9.2	1145	604	1749	139.5	142	144	64
SP 30-10	MS 6000	9.2	1241	604	1845	139.5	142	144	66
SP 30-11	MS 6000	9.2	1337	604	1941	139.5	142	144	68
SP 30-12	MS 6000	11	1433	634	2067	139.5	142	144	73
SP 30-13	MS 6000	11	1529	634	2163	139.5	142	144	75
SP 30-14	MS 6000	13	1625	664	2289	139.5	142	144	80
SP 30-15	MS 6000	13	1721	664	2385	139.5	142	144	82
SP 30-16	MS 6000	15	1817	699	2516	139.5	142	144	88
SP 30-17	MS 6000	15	1913	699	2612	139.5	142	144	90

## GRUNDFOS DYKPUMPER

## SP46

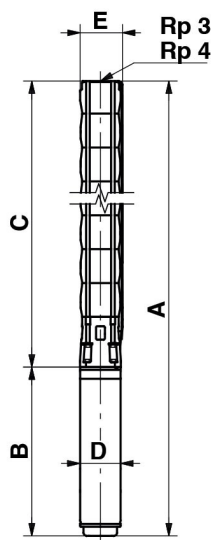
Type	Motor		Ydelse m <sup>3</sup> /t								Varenr.	Enhedspris kr.
			30	35	40	45	50	55	58			
	HK	KW	Løftehøjde m.v.s.									
SP46-2BB	3,0	2,2	15	14	12	10	8	3	1		38 8340 019	
SP46-2	4,0	3,0	21	19	18	16	14	11			38 8340 025	
SP46-3C	5,5	4,0	28	26	24	21	17	14	13		38 8340 029	
SP46-4C	7,5	5,5	39	36	32	30	25	20	15		38 8340 039	
SP46-5	10,0	7,5	53	50	46	42	37	31	27		38 8340 050	
SP46-6	12,5	9,2	65	61	56	51	45	38	33		38 8340 060	
SP46-7	15,0	11,0	76	71	66	60	53	44	39		38 8340 070	
SP46-8	15,0	11,0	87	82	76	69	61	52	45		38 8340 079	
SP46-10	20,0	15,0	109	102	95	86	76	64	56		38 8340 100	
SP46-12	25,0	18,5	131	124	115	105	93	78	69		38 8340 120	
SP46-13	25,0	18,5	143	135	125	114	101	86	75		38 8340 129	



## TEKNISKE DATA

## SP46

### Dimensions and weights



SP 46-26 to SP 46-37 are mounted in sleeve for R 4 connection.

TM00 0961 1196

Pump type	Motor		Dimensions [mm]					Net weight [kg]	
	Type	Power [kW]	Rp 3/Rp 4 connection						
			A	C	E*	E**			
Three-phase, 3 x 230 V / 3 x 400 V									
SP 46-1-B	MS 4000	1.1	795	378	146		417	95	21
SP 46-1	MS 4000	2.2	835	378	146		457	95	23
SP 46-2-BB	MS 4000	2.2	948	491	146		457	95	26
SP 46-2	MS 4000	3.0	988	491	146		497	95	27
SP 46-3-C	MS 4000	4.0	1181	604	146		577	95	33
SP 46-3	MS 4000	5.5	1281	604	146		677	95	38
SP 46-4-C	MS 4000	5.5	1394	717	146		677	95	40
SP 46-4	MS 4000	7.5	1494	717	146		777	95	45
SP 46-5	MS 4000	7.5	1607	830	146		777	95	48
SP 46-3	MS 6000	5.5	1164	620	148	151	544	139.5	48
SP 46-4-C	MS 6000	5.5	1277	733	148	151	544	139.5	51
SP 46-4	MS 6000	7.5	1307	733	148	151	574	139.5	54
SP 46-5	MS 6000	7.5	1420	846	148	151	574	139.5	57
SP 46-6	MS 6000	9.2	1563	959	148	151	604	139.5	64
SP 46-7	MS 6000	11	1706	1072	148	151	634	139.5	70
SP 46-8-C	MS 6000	11	1819	1185	148	151	634	139.5	72
SP 46-8	MS 6000	13	1849	1185	148	151	664	139.5	75
SP 46-9-C	MS 6000	13	1962	1298	148	151	664	139.5	78
SP 46-9	MS 6000	15	1997	1298	148	151	699	139.5	82
SP 46-10	MS 6000	15	2110	1411	148	151	699	139.5	84
SP 46-11	MS 6000	18.5	2278	1524	148	151	754	139.5	92
SP 46-12	MS 6000	18.5	2391	1637	148	151	754	139.5	94
SP 46-13	MS 6000	22	2580	1766	148	151	814	139.5	103
SP 46-14	MS 6000	22	2693	1879	148	151	814	139.5	106
SP 46-15	MS 6000	22	2806	1992	148	151	814	139.5	108
SP 46-16	MS 6000	26	2979	2105	148	151	874	139.5	116
SP 46-17	MS 6000	26	3092	2218	148	151	874	139.5	118
SP 46-18	MS 6000	30	3275	2331	148	151	944	139.5	129
SP 46-19	MS 6000	30	3388	2444	148	151	944	139.5	131
SP 46-20	MS 6000	30	3501	2557	148	151	944	139.5	134
SP 46-21	MMS 6	37	3982	2670	150	153	1312	144	176
SP 46-22	MMS 6	37	4095	2783	150	153	1312	144	179
SP 46-23	MMS 6	37	4208	2896	150	153	1312	144	181
SP 46-24	MMS 6	37	4321	3009	150	153	1312	144	183
SP 46-26	MMS 8000	45	4781	3511	192	192	1270	192	278
SP 46-28	MMS 8000	45	5007	3737	192	192	1270	192	284

4" fra 46-6

## GRUNDFOS DYKPUMPER

## SP60

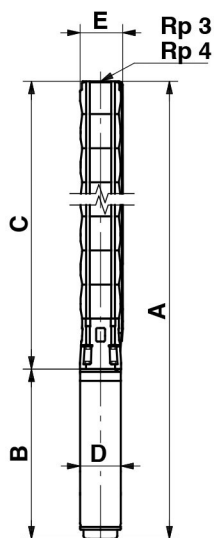
Type	Motor		Ydelse m <sup>3</sup> /t									Varenr.	Enhedspris kr.
			30	40	45	50	55	60	65	70	75		
	HK	KW	Løftehøjde m.v.s.										
SP60-2	5,5	4,0	22	18	17	16	14	13	11	9	6	38 8343 020	
SP60-3	7,5	5,5	33	27	26	24	22	20	17	14	10	38 8343 030	
SP60-4	10,0	7,5	45	38	36	34	31	28	25	20	16	38 8343 045	
SP60-5	12,5	9,2	58	50	47	44	41	37	33	28	22	38 8343 050	
SP60-6	15,0	11,0	69	59	56	52	48	44	39	32	25	38 8343 060	
SP60-8	20,0	15,0	92	80	75	71	65	60	53	44	35	38 8343 080	
SP60-9	20,0	15,0	105	91	86	81	75	68	61	51	41	38 8343 089	
SP60-10	25,0	18,5	116	100	94	89	83	75	67	56	45	38 8343 100	
SP60-11	25,0	18,5	130	113	107	100	94	86	76	65	52	38 8343 109	
SP60-12	30,0	22,0	141	123	116	109	101	93	82	70	56	38 8343 120	
SP60-13	30,0	22,0	154	135	127	120	112	102	91	78	63	38 8343 129	
SP60-15	35,0	26,0	177	154	145	137	127	117	104	88	71	38 8343 150	
SP60-16	35,0	26,0	187	163	154	145	135	123	110	93	71	38 8343 159	



## TEKNISKE DATA

## SP60

### Dimensions and weights



Pump type	Motor		Dimensions [mm]					Net weight [kg]	
	Type	Power [kW]	Rp 3/Rp 4 connection						
			A	C	E*	E**	B		D
Three-phase, 3 x 230 V / 3 x 400 V									
SP 60-1-A	MS 4000	1.5	795	378	146		417	95	21
SP 60-1	MS 4000	2.2	835	378	146		457	95	23
SP 60-2-B	MS 4000	3.0	988	491	146		497	95	27
SP 60-2	MS 4000	4.0	1068	491	146		577	95	31
SP 60-3	MS 4000	5.5	1281	604	146		677	95	38
SP 60-4	MS 4000	7.5	1494	717	146		777	95	45
SP 60-3	MS 6000	5.5	1164	620	148	151	544	139.5	48
SP 60-4	MS 6000	7.5	1307	733	148	151	574	139.5	54
SP 60-5	MS 6000	9.2	1450	846	148	151	604	139.5	62
SP 60-6	MS 6000	11	1593	959	148	151	634	139.5	67
SP 60-7	MS 6000	13	1736	1072	148	151	664	139.5	73
SP 60-8-B	MS 6000	13	1849	1185	148	151	664	139.5	75
SP 60-8	MS 6000	15	1884	1185	148	151	699	139.5	79
SP 60-9-B	MS 6000	15	1997	1298	148	151	699	139.5	82
SP 60-9	MS 6000	18.5	2052	1298	148	151	754	139.5	87
SP 60-10	MS 6000	18.5	2165	1411	148	151	754	139.5	90
SP 60-11	MS 6000	22	2338	1524	148	151	814	139.5	98
SP 60-12	MS 6000	22	2451	1637	148	151	814	139.5	100
SP 60-13	MS 6000	26	2640	1766	148	151	874	139.5	109
SP 60-14	MS 6000	26	2753	1879	148	151	874	139.5	111
SP 60-15	MS 6000	26	2866	1992	148	151	874	139.5	114
SP 60-16	MS 6000	30	3049	2105	148	151	944	139.5	124
SP 60-17	MS 6000	30	3162	2218	148	151	944	139.5	126
SP 60-18	MMS 6	37	3643	2331	150	153	1312	144	169
SP 60-19	MMS 6	37	3756	2444	150	153	1312	144	171
SP 60-20	MMS 6	37	3869	2557	150	153	1312	144	174
SP 60-21	MMS 6	37	3982	2670	150	153	1312	144	176
SP 60-22	MMS 8000	45	4082	2812	192	192	1270	192	239

\* Maximum diameter of pump with one motor cable.

\*\* Maximum diameter of pump with two motor cables.

The pump types above are also available in N- and R-versions. See page 5.

Pumps mounted in sleeve are only available in standard and N-versions.

Other types of connection are possible by means of connecting pieces. See page 100.

## GRUNDFOS DYKPUMPER

## SP77

Type	Motor		Ydelse m <sup>3</sup> /t								Varenr.	Enhedspris kr.
	HK	KW	40	50	60	70	80	90	95			
			Løftehøjde m.v.s.									
SP77-1	7,5	5,5	16	15	14	13	11				38 8344 310	
SP77-2B	7,5	5,5	26	25	22	20	17	12	10		38 8344 319	
SP77-2	10,0	7,5	33	30	28	25	22	18	15		38 8344 320	
SP77-3	15,0	11,0	50	46	42	38	34	27	24		38 8344 330	
SP77-4	20,0	15,0	67	62	57	52	46	37	32		38 8344 340	
SP77-5	25,0	18,5	84	78	71	65	57	47	41		38 8344 350	
SP77-6	30,0	22,0	101	93	86	78	68	56	48		38 8344 360	
SP77-7	35,0	26,0	119	109	100	91	80	66	57		38 8344 370	
SP77-8	35,0	26,0	136	125	115	105	92	76	66		38 8344 379	
SP77-9	40,0	30,0	152	139	128	117	103	84	73		38 8344 390	
SP77-10	50,0	37,0	173	159	147	134	119	98	86		38 8344 400	-

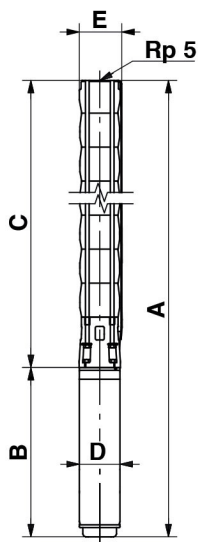
LEV. KUN MED 5" INDV. RØRGEV.



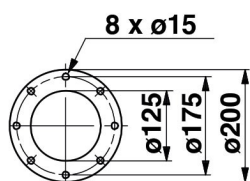
## TEKNISKE DATA

## SP77

### Dimensions and weights



TM00 7872 2196



Pump with Grundfos flange

TM00 7323 1798

Pump type	Motor		Dimensions [mm]								Net weight [kg]		
	Type	Power [kW]	Rp 5 connection				5" Grundfos flange						
			A	C	E*	E**	A	C	E*	E**		B	D
Three-phase, 3 x 230 V / 3 x 400 V													
SP 77-1	MS 6000	5.5	1162	618	178	186	1162	618	200	200	544	139.5	55
SP 77-2-B	MS 6000	5.5	1290	746	178	186	1290	746	200	200	544	139.5	59
SP 77-2	MS 6000	7.5	1320	746	178	186	1320	746	200	200	574	139.5	63
SP 77-3-B	MS 6000	9.2	1478	874	178	186	1478	874	200	200	604	139.5	72
SP 77-3	MS 6000	11	1508	874	178	186	1508	874	200	200	634	139.5	75
SP 77-4-B	MS 6000	13	1667	1003	178	186	1667	1003	200	200	664	139.5	82
SP 77-4	MS 6000	15	1702	1003	178	186	1702	1003	200	200	699	139.5	86
SP 77-5	MS 6000	18.5	1885	1131	178	186	1885	1131	200	200	754	139.5	95
SP 77-6	MS 6000	22	2073	1259	178	186	2073	1259	200	200	814	139.5	105
SP 77-7	MS 6000	26	2261	1387	178	186	2261	1387	200	200	874	139.5	114
SP 77-8-B	MS 6000	26	2389	1515	178	186	2389	1515	200	200	874	139.5	118
SP 77-8	MS 6000	30	2459	1515	178	186	2459	1515	200	200	944	139.5	126
SP 77-9	MS 6000	30	2587	1643	178	186	2587	1643	200	200	944	139.5	129
SP 77-10	MMS 6	37	3083	1771	178	186	3083	1771	200	200	1312	143	176
SP 77-11	MMS 6	37	3226	1898	178	186	3210	1898	200	200	1312	143	179
SP 77-12	MMS 8000	45	3313	2043	200	204	3313	2043	209	209	1270	192	240
SP 77-13	MMS 8000	55	3522	2172	200	204	3522	2172	209	209	1350	192	259
SP 77-14	MMS 8000	55	3650	2300	200	204	3650	2300	209	209	1350	192	263
SP 77-15	MMS 8000	55	3779	2429	200	204					1350	192	266
SP 77-16	MMS 8000	63	4047	2557	200	204					1490	192	296
SP 77-17	MMS 8000	63	4175	2685	200	204					1490	192	300
SP 77-18	MMS 8000	63	4304	2814	200	204					1490	192	304
SP 77-19	MMS 8000	75	4826	3236	200	204					1590	192	334
SP 77-20	MMS 8000	75	4954	3364	200	204					1590	192	338
SP 77-21	MMS 8000	75	5082	3492	200	202					1590	192	342
SP 77-22	MMS 8000	92	5450	3620	200	202					1830	192	391

\* Maximum diameter of pump with one motor cable.

\*\* Maximum diameter of pump with two motor cables.

The pump types above are also available in N- and R-versions. See page 5.

Other types of connection are possible by means of connecting pieces. See page 100.



## GRUNDFOS DYKPUMPER

## SP95

Type	Motor		Ydelse m <sup>3</sup> /t								Varenr.	Enhedspris kr.
			50	60	70	80	90	100	110	120		
	HK	KW	Løftehøjde m.v.s.									
SP95-1	7,5	5,5	16	15	14	13	12	11	9	6	38 8345 010	
SP95-2BB	7,5	5,5	21	20	20	17	14	11	5		38 8345 018	
SP95-2A	10,0	7,5	30	27	24	23	21	17	13	10	38 8345 019	
SP95-2	12,5	9,2	33	30	28	27	24	21	17		38 8345 020	
SP95-3	17,5	13	50	47	44	41	38	33	27	19	38 8345 030	
SP95-4	25,0	18,5	67	62	59	55	50	44	35	26	38 8345 040	
SP95-5	30,0	22,0	83	78	73	68	62	54	44	32	38 8345 050	
SP95-6	35,0	26,0	102	95	89	84	76	67	54	40	38 8345 060	
SP95-7	40,0	30,0	121	113	106	100	92	81	66	49	38 8345 070	
SP95-8	50,0	37,0	137	128	121	113	104	92	75	56	38 8345 080	
SP95-9	50,0	37,0	150	141	133	124	112	99	79	56	38 8345 090	
SP95-10	60,0	45,0	172	162	152	143	130	116	94	69	38 8345 100	

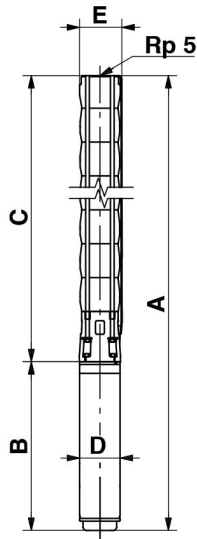
LEV. KUN MED 5" INDV. RØRGEV.



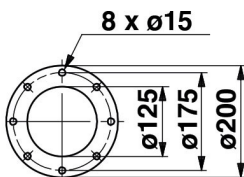
## TEKNISKE DATA

## SP95

### Dimensions and weights



TM00 7872 2196



TM00 7323 1798

Pump with Grundfos flange

Pump type	Motor		Dimensions [mm]								Net weight [kg]		
	Type	Power [kW]	Rp 5 connection				5" Grundfos flange						
			A	C	E*	E**	A	C	E*	E**		B	D
Three-phase, 3 x 230 V / 3 x 400 V													
SP 95-1	MS 6000	5.5	1162	618	178	186	1162	618	200	200	544	139.5	55
SP 95-2-BB	MS 6000	5.5	1290	746	178	186	1290	746	200	200	544	139.5	72
SP 95-2-A	MS 6000	7.5	1320	746	178	186	1320	746	200	200	574	139.5	63
SP 95-2	MS 6000	9.2	1350	746	178	186	1350	746	200	200	604	139.5	68
SP 95-3-BB	MS 6000	9.2	1478	874	178	186	1478	874	200	200	604	139.5	72
SP 95-3-B	MS 6000	11	1508	874	178	186	1508	874	200	200	634	139.5	75
SP 95-3	MS 6000	13	1538	874	178	186	1538	874	200	200	664	139.5	78
SP 95-4-B	MS 6000	15	1702	1003	178	186	1702	1003	200	200	699	139.5	86
SP 95-4	MS 6000	18.5	1757	1003	178	186	1757	1003	200	200	754	139.5	91
SP 95-5-AB	MS 6000	18.5	1885	1131	178	186	1885	1131	200	200	754	139.5	95
SP 95-5	MS 6000	22	1945	1131	178	186	1945	1131	200	200	814	139.5	101
SP 95-6	MS 6000	26	2133	1259	178	186	2133	1259	200	200	874	139.5	110
SP 95-7	MS 6000	30	2331	1387	178	186	2331	1387	200	200	944	139.5	122
SP 95-8	MMS 6	37	2827	1515	178	186	2827	1515	200	200	1312	143	168
SP 95-9	MMS 6	37	2954	1642	178	186	2954	1642	200	200	1312	143	172
SP 95-10	MMS 8000	45	3055	1785	196	204	3055	1785	205	205	1270	192	233
SP 95-11	MMS 8000	55	3264	1914	196	204	3264	1914	205	205	1350	192	251
SP 95-12	MMS 8000	55	3393	2043	196	204	3393	2043	205	205	1350	192	255
SP 95-13	MMS 8000	55	3522	2172	196	204	3522	2172	205	205	1350	192	259
SP 95-14	MMS 8000	63	3790	2300	196	204	3790	2300	205	205	1490	192	289
SP 95-15	MMS 8000	75	4019	2429	196	204					1590	192	311
SP 95-16	MMS 8000	75	4147	2557	196	204					1590	192	315
SP 95-17	MMS 8000	75	4275	2685	196	204					1590	192	319
SP 95-18	MMS 8000	92	4938	3108	196	204					1830	192	376
SP 95-19	MMS 8000	92	5066	3236	196	204					1830	192	380
SP 95-20	MMS 8000	92	5194	3364	196	204					1830	192	384

\* Maximum diameter of pump with one motor cable.

\*\* Maximum diameter of pump with two motor cables.

The pump types above are also available in N- and R-versions. See page 5.

Other types of connection are possible by means of connecting pieces. See page 100.

## GRUNDFOS DYKPUMPER

## SP125

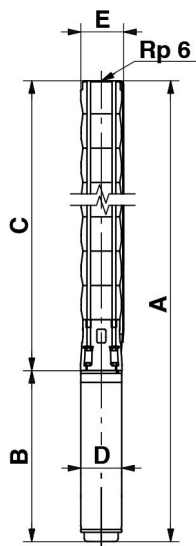
Type	Motor		Ydelse m <sup>3</sup> /t										Varenr.	Enhedspris kr.
	HK	KW	80	90	100	110	120	130	140	150	160			
			Løftehøjde m.v.s.											
SP125-1-A	10,0	7,5	17	16	15	14	13	12	10			38 8347 311		
SP125-1	15,0	11,0	24	23	22	21	20	18	17	15	10	38 8347 310		
SP125-2-AA	17,5	13,0	34	33	31	29	26	23	19	15	10	38 8347 322		
SP125-2-A	25,0	18,5	42	40	38	36	34	31	27	23	18	38 8347 321		
SP125-2	30,0	22,0	49	47	45	43	41	38	35	31	26	38 8347 320		
SP125-3-AA	30,0	22,0	58	56	53	50	46	41	36	29	22	38 8347 332		
SP125-3-A	35,0	26,0	66	64	61	58	54	49	44	38	31	38 8347 331		
SP125-3	40,0	30,0	74	71	68	65	62	58	53	46	40	38 8347 330		
SP125-4	50,0	37,0	100	96	93	89	84	79	73	65	55	38 8347 340		
SP125-5-A	60,0	45,0	118	114	109	104	98	91	83	72	62	38 8347 351		



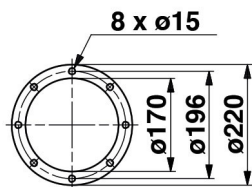
## TEKNISKE DATA

## SP125

### Dimensions and weights



TM00 8760 3596



Pump with Grundfos flange

TM00 7324 1798

Pump type	Motor		Dimensions [mm]								Net weight [kg]		
	Type	Power [kW]	Rp 6 connection				6" Grundfos flange						
			A	C	E*	E**	A	C	E*	E**		B	D
Three-phase, 3 x 230 V / 3 x 400 V													
SP 125-1-A	MS 6000	7.5	1225	651	211	218	1225	651	222	226	574	139.5	70
SP 125-1	MS 6000	11	1285	651	211	218	1285	651	222	226	634	139.5	79
SP 125-2-AA	MS 6000	13	1471	807	211	218	1471	807	222	226	664	139.5	88
SP 125-2-A	MS 6000	18.5	1561	807	211	218	1561	807	222	226	754	139.5	97
SP 125-2	MS 6000	22	1621	807	211	218	1621	807	222	226	814	139.5	103
SP 125-3-AA	MS 6000	22	1777	963	211	218	1777	963	222	226	814	139.5	109
SP 125-3-A	MS 6000	26	1837	963	211	218	1837	963	222	226	874	139.5	115
SP 125-3	MS 6000	30	1907	963	211	218	1907	963	222	226	944	139.5	123
SP 125-4-AA	MMS 6	37	2431	1119	211	218	2431	1119	222	226	1312	143	171
SP 125-4-A	MMS 6	37	2431	1119	211	218	2431	1119	222	226	1312	143	171
SP 125-4	MMS 6	37	2431	1119	211	218	2431	1119	222	226	1312	143	171
SP 125-5-AA	MMS 8000	45	2545	1275	213	218	2545	1275	223	226	1270	192	236
SP 125-5-A	MMS 8000	45	2545	1275	213	218	2545	1275	223	226	1270	192	236
SP 125-5	MMS 8000	55	2625	1275	213	218	2625	1245	223	226	1350	192	251
SP 125-6-AA	MMS 8000	55	2781	1431	213	218	2781	1431	223	226	1350	192	257
SP 125-6-A	MMS 8000	55	2781	1431	213	218	2781	1431	223	226	1350	192	257
SP 125-6	MMS 8000	63	2921	1431	218	227	2921	1431	229	232	1490	192	283
SP 125-7-AA	MMS 8000	63	3077	1587	218	227	3077	1587	229	232	1490	192	289
SP 125-7-A	MMS 8000	63	3077	1587	218	227	3077	1587	229	232	1490	192	289
SP 125-7	MMS 8000	75	3177	1587	218	227	3177	1587	229	232	1590	192	308
SP 125-8-AA	MMS 8000	75	3333	1743	218	227					1590	192	314
SP 125-8-A	MMS 8000	75	3333	1743	218	227					1590	192	314
SP 125-8	MMS 8000	75	3333	1743	218	227					1590	192	314
SP 125-9-AA	MMS 8000	92	3729	1899	218	227					1830	192	366
SP 125-9-A	MMS 8000	92	3729	1899	218	227					1830	192	366
SP 125-9	MMS 8000	92	3729	1899	218	227					1830	192	366
SP 125-10-AA	MMS 8000	92	3885	2055	218	227					1830	192	372
SP 125-10-A	MMS 8000	92	3885	2055	218	227					1830	192	372
SP 125-10	MMS 8000	92	3885	2055	218	227					1830	192	372

\* Maximum diameter of pump with one motor cable.

\*\* Maximum diameter of pump with two motor cables.

The pump types above are also available in N- and R-versions. See page 5.

Other types of connection are possible by means of connecting pieces. See page 100.

## GRUNDFOS DYKPUMPER

## SP160

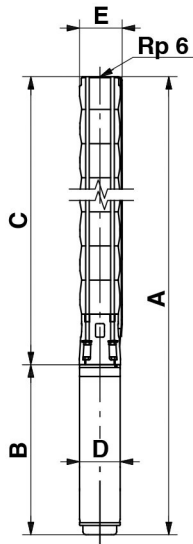
Type	Motor		Ydelse m <sup>3</sup> /t								Varenr.	Enhedspris kr.
	HK	KW	60	80	100	120	140	160	180	200		
			Løftehøjde m.v.s.									
SP160-1-A	13,0	9,2	20	19	17	16	15	13	9	5	38 8348 311	
SP160-1	17,0	13,0	30	27	25	23	21	20	17	14	38 8348 310	
SP160-2-AA	25,0	18,5	41	38	36	33	30	26	20	11	38 8348 322	
SP160-2-A	30,0	22,0	51	47	43	40	37	33	27	20	38 8348 321	
SP160-2	35,0	26,0	59	54	50	46	43	40	35	28	38 8348 320	
SP160-4-A	60,0	45,0	111	103	95	89	83	76	66	51	38 8348 341	
SP160-5-A	75,0	55,0	140	130	121	113	105	96	83	66	38 8348 351	



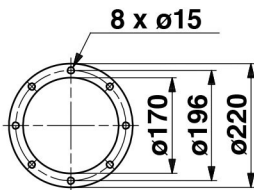
## TEKNISKE DATA

## SP160

### Dimensions and weights



TM00 8760 3596



Pump with Grundfos flange

TM00 7324 1798

Pump type	Motor		Dimensions [mm]								Net weight [kg]		
	Type	Power [kW]	Rp 6 connection				6" Grundfos flange						
			A	C	E*	E**	A	C	E*	E**		B	D
Three-phase, 3 x 230 V / 3 x 400 V													
SP 160-1-A	MS 6000	9.2	1255	651	211	218	1255	651	222	226	604	139.5	76
SP 160-1	MS 6000	13	1315	651	211	218	1315	651	222	226	664	139.5	82
SP 160-2-AA	MS 6000	18.5	1561	807	211	218	1561	807	222	226	754	139.5	97
SP 160-2-A	MS 6000	22	1621	807	211	218	1621	807	222	226	814	139.5	103
SP 160-2	MS 6000	26	1681	807	211	218	1681	807	222	226	874	139.5	109
SP 160-3-AA	MS 6000	30	1907	963	211	218	1907	963	222	226	944	139.5	123
SP 160-3-A	MMS 6	37	2275	963	211	218	2275	963	222	226	1312	143	165
SP 160-3	MMS 6	37	2275	963	211	218	2275	963	222	226	1312	143	165
SP 160-4-AA	MMS 8000	45	2389	1119	218	227	2389	1119	229	232	1270	192	230
SP 160-4-A	MMS 8000	45	2389	1119	218	227	2389	1119	229	232	1270	192	230
SP 160-4	MMS 8000	55	2469	1119	218	227	2469	1119	229	232	1350	192	245
SP 160-5-AA	MMS 8000	55	2625	1275	218	227	2625	1275	229	232	1350	192	251
SP 160-5-A	MMS 8000	55	2625	1275	218	227	2625	1275	229	232	1350	192	251
SP 160-5	MMS 8000	63	2765	1275	218	227	2765	1275	229	232	1490	192	277
SP 160-6-AA	MMS 8000	63	2921	1431	218	227	2921	1431	229	232	1490	192	283
SP 160-6-A	MMS 8000	75	3021	1431	218	227	3021	1431	229	232	1590	192	302
SP 160-6	MMS 8000	75	3021	1431	218	227	3021	1431	229	232	1590	192	302
SP 160-7-AA	MMS 8000	75	3177	1587	218	227					1590	192	302
SP 160-7-A	MMS 8000	92	3417	1587	218	227					1830	192	354
SP 160-7	MMS 8000	92	3417	1587	218	227					1830	192	354
SP 160-8-AA	MMS 8000	92	3573	1743	218	227					1830	192	360
SP 160-8-A	MMS 8000	92	3573	1743	218	227					1830	192	360
SP 160-8	MMS 8000	92	3573	1743	218	227					1830	192	360
SP 160-9-AA	MMS 8000	110	3959	1899	218	227					2060	192	416
SP 160-9-A	MMS 8000	110	3959	1899	218	227					2060	192	416
SP 160-9	MMS 8000	110	3959	1899	218	227					2060	192	416

\* Maximum diameter of pump with one motor cable.




\*\* Maximum diameter of pump with two motor cables.

The pump types above are also available in N-versions. See page 5.

SP 160-1-A to SP 160-14 are also available in R-versions. See page 5.

Other types of connection are possible by means of connecting pieces. See page 100.

## GRUNDFOS DYKMOTORER OG KABLER

	DYKMOTORER			Varenr.	Enhedspris kr.
	Motor		Uden motorkabel		
	HK	KW	Type		
	0,50	0,37	MS402B	50 1054 002	
	0,75	0,55	MS402B	50 1054 003	
	1,0	0,75	MS402B	50 1054 004	
	1,5	1,1	MS402B	50 1054 005	
	2,0	1,5	MS402B	50 1054 006	
	3,0	2,2	MS402B	50 1054 007	
	3,0	2,2	MS4000	50 1054 507	
	4,0	3,0	MS4000	50 1054 508	
	5,5	4,0	MS4000	50 1054 510	
	7,5	5,5	MS4000	50 1054 511	
	7,5	5,5	MS6000	50 1055 511	
	10,0	7,5	MS6000	50 1055 512	
	12,5	9,2	MS6000	50 1055 513	
	15,0	11,0	MS6000	50 1055 514	
	17,5	13,0	MS6000	50 1055 515	
	20,0	15,0	MS6000	50 1055 516	
	25,0	18,5	MS6000	50 1055 517	
	30,0	22,0	MS6000	50 1055 518	
	35,0	26,0	MS6000	50 1055 519	
	40,0	30,0	MS6000	50 1055 520	
50,0	37,0	MMS6000	50 1058 666		
	<b>MOTORKABEL</b>				
	Motor	Størrelse	Stik		
	MS402B	0,37 - 2,2 KW	Flad x Rund	50 1056 712	
	MS4000	2,20 - 7,5 KW	Rund x Rund	50 1056 945	
	MS6000	5,50-15,0 KW	Flad x Rå	50 1056 925	
MS6000	18,50-37,0 KW	Flad x Rå	50 1056 930		
	<b>KABELKIT MED STIK</b>				
	Inkl. Kabelbinder med knapper.				
	Kabelkit m/stik 4X1,5 15 meter.			38 8396 015	
	Kabelkit m/stik 4X1,5 20 meter.			38 8396 020	
	Kabelkit m/stik 4X1,5 25 meter.			38 8396 025	
	Kabelkit m/stik 4X1,5 30 meter.			38 8396 030	
	Kabelkit m/stik 4X1,5 40 meter.			38 8396 040	
	Kabelkit m/stik 4X1,5 50 meter.			38 8396 050	
Kabelkit m/stik 4X1,5 60 meter.			38 8396 060		

**TEKNISKE DATA**
**GRUNDFOS DYKMOTORER**

4", 6", 8" Grundfos standard dykmotor, 3x400V / 50Hz




Spændings tolerance +6 / -10% (Grundlag 3x400v)

Elektriske data

Type	Str.	Kw=P2 P2	Fuldlaststrøm Amp			Startstrøm faktor (DOL) Amp x faktor	Omdr. rpm v/ 400V	Vægt kg
			Volt 380	Volt 400	Volt 415			
MS 402	4"	0.37	1.5	1.4	1.3	3,7	2860	5.5
MS 402	4"	0.55	2.35	2.2	2.0	3,5	2860	6.3
MS 402	4"	0.75	2.4	2.3	2.15	4,7	2860	7.7
MS 402	4"	1.1	3.65	3.4	3.25	4.6	2860	13.0
MS 402	4"	1.5	4.4	4.2	4.1	5.0	2860	10.5
MS 402	4"	2.2	5.7	5.5	5.5	4.7	2860	11.9
MS 4000	4"	2.2	6.3	6.0	5.75	4.5	2860	16.0
MS 4000	4"	3.0	8.1	7.85	7.7	4.5	2865	17.0
MS 4000	4"	4.0	10.2	9.75	9.7	4.8	2880	21.0
MS 4000	4"	5.5	14.6	14.4	14.2	4.9	2880	26.0
MS 4000	4"	7.5	19.6	18.8	18.4	4.5	2850	37.0
MS 6000	6"	5.5	13.6	13.4	13.2	4,4	2880	35.5
MS 6000	6"	7.5	17.8	17.2	17.0	4,3	2870	37.0
MS 6000	6"	9.2	21.8	21.2	21.0	4,6	2870	42.5
MS 6000	6"	11	26.0	25.0	24.8	4,7	2870	45.5
MS 6000	6"	13	30.0	29.0	29.0	4.6	2870	49.0
MS 6000	6"	15	34.5	33.5	33.5	5.0	2870	52.5
MS 6000	6"	18.5	42.0	41.0	41.0	5,1	2880	58.0
MS 6000	6"	22	49.5	47.5	46.5	5.0	2870	64.0
MS 6000	6"	26	58.0	55.5	55.0	4.9	2870	69.5
MS 6000	6"	30	66.5	64.0	63.0	4.9	2870	77.5
MMS 6000	6"	37	83.0	80.0	79.0	5.8	2860	125
MMS 8000	8"	45	96.5	96.0	95.5	6.3	2910	177



## ANDRE DYKMOTORER OG KABLER

	FRANKLIN DYKMOTORER			Varenr.	Enhedspris kr.	
	Motor		Uden motorkabel			
	HK	KW	Type			
	7,5	5,5	6" Standard	50 1062 511		
	10,0	7,5	6" Standard	50 1062 512		
	12,5	9,3	6" Standard	50 1062 513		
	15,0	11,0	6" Standard	50 1062 514		
	20,0	15,0	6" Standard	50 1062 516		
	25,0	18,5	6" Standard	50 1062 517		
	30,0	22,0	6" Standard	50 1062 518		
	40,0	30,0	6" Standard	50 1062 520		
	50,0	37,0	6" Standard	50 1062 521		
	FRANKLIN MOTORKABEL					
	Motor	Størrelse	Stik			
	4"	4 x 1,5 kvadr.	Rund x Rå	50 1063 597		
	6"	5,5 - 30,0 HK	Rund x Rå	50 1063 704		
	6"	40,0 - 60,0 HK	Rund x Rå	50 1063 817	-	
	TESLA 4" DYKMOTORER					
	Motor		MED motorkabel			
	HK	KW	Type			
	0,50	0,37	3x400v			50 1066 000
	0,75	0,55	3x400v			50 1066 005
	1,0	0,75	3x400v			50 1066 010
	1,5	1,1	1x230v			50 1066 115
	1,5	1,1	3x400v			50 1066 015
	2,0	1,5	3x400v			50 1066 020
	3,0	2,2	3x400v			50 1066 030
	4,0	3,0	3x400v			50 1066 040
5,5	4,0	3x400v	50 1066 055			
	Kabelkit	20 Mtr 4x1,5	50 1066 099			


**TEKNISKE DATA**

**ANDRE DYKMOTORER**


6" dykmotor, diameter 137,7 mm 3~/400V / 50 Hz.									
P <sub>N</sub> (kW)	n <sub>N</sub> (min-1)	I <sub>N</sub> (A)	I <sub>A</sub> (A)	η (%)	COS (%)	T <sub>N</sub> (Nm)	T <sub>A</sub> (Nm)	L (mm)	M (kg)
4,0	2860	9,3	43	78,0	0,82	12,3	20,2	581,2	37,5
5,5	2870	12,5	64	79,0	0,82	18,6	35,0	614,4	41,1
7,5	2860	16,0	83	79,0	0,86	25,0	47,7	646,2	45,2
9,3	2870	20,7	112	81,0	0,80	31,1	68,2	678,7	47,5
11,0	2860	23,3	129	81,0	0,85	37,3	78,3	711,2	50,9
15,0	2860	31,3	169	81,0	0,85	49,9	107,3	776,2	56,7
18,5	2860	38,5	231	82,0	0,85	62,4	154,6	841,5	63,3
22,0	2860	45,3	268	83,0	0,86	74,7	177,6	906,5	69,3
30,0	2860	63,5	393	83,0	0,84	99,4	263,1	1036,6	83,9
37,0	2875	77,9	411	81,0	0,85	123,6	280,8	1421,4	138
45,0	2875	93,2	509	82,0	0,84	148,4	332,3	1573,8	152

TESLA 4" DYKMOTORER						
P <sub>N</sub> (kW)	n <sub>N</sub> (min-1)	I <sub>N</sub> (A)	L (mm)	M (kg)	Faser	
0,37	2820	1,4	216	6,2	3	
0,55	2830	1,9	236	131	3	
0,75	2830	2,4	266	145	3	
1,1	2830	8,6	331	175	1*	
1,1	2830	3,4	286	213	3	
1,5	2830	4,4	348	291	3	
2,2	2820	5,9	393	334	3	
3,0	2840	8,3	544	380	3	
4,0	2850	10	614	429	3	


## KABEL

Max. kabellængde i mtr - 3x400v – 50HZ										
Motor			Kabeldimension i mm2							
Type	HK	KW	1,5	2,5	4,0	6,0	10	16	25	
	4"	0,50	0,37	384	637					
	4"	0,75	0,55	244	405	644				
	4"	1,0	0,75	208	345	550	818			
	4"	1,5	1,1	141	234	372	554			
	4"	2,0	1,5	109	182	289	431	709		
	4"	3,0	2,2	77	127	203	302	499	785	
	4"	4,0	3,0	57	94	150	223	368	578	
	4"	5,5	4,0	45	75	119	177	292	460	
	4"	7,5	5,5	33	54	87	129	213	336	
	6"	10,0	7,5	24	41	65	97	159	251	
	6"	12,5	9,2		32	52	77	127	200	
	6"	15,0	11,0		28	44	66	109	172	
	6"	17,5	13,0			38	56	92	145	
	6"	20,0	15,0				49	81	127	
	6"	25,0	18,5				40	66	104	
	6"	30,0	22,0					56	88	
	6"	35,0	26,0					47	74	
	6"	40,0	30,0						64	100
	6"	50,0	37,0						56	81
	8"	60,0	45,0							68


  

	<b>GUMMIKABEL, 4 - LEDER</b>		Varenr.	Enhedspris kr.
	Størrelse:	Farve: Kvalitet:		
	1,5 mm2	Blå Drikkevandsgodk.	38 8339 401	
	2,5 mm2	Blå Drikkevandsgodk.	38 8339 402	
	1,5 mm2	Sort H07-RNF	38 8339 401-2	
	2,5 mm2	Sort H07-RNF	38 8339 402-2	
	4,0 mm2	Sort H07-RNF	38 8339 404	
	6,0 mm2	Sort H07-RNF	38 8339 406	
	10,0 mm2	Sort H07-RNF	38 8339 410	
16,0 mm2	Sort H07-RNF	38 8339 416		
	Hulbånd m/ knapper, 7,5 m	50 1990 075		





	<b>KABELSAMLESÆT 4" MOT.</b>			
	<b>Støbesæt m/originalt GRUNDFOS stik</b>			
	Størrelse:			
	4 x 1,5 - 2,5 mm2	umonteret	38 8398 402	
	4 x 4,0 - 6,0 mm2	umonteret	38 8398 406	
4 x 1,5 - 2,5 mm2	monteret	38 8398 432		
4 x 4,0 - 6,0 mm2	monteret	38 8398 436		

	<b>KABELSAMLESÆT 6" MOT.</b>			
	<b>Krympesæt</b>			
	Størrelse:			
	4 x 1,5 - 6,0 mm2	umonteret	38 8398 604	
	4 x 10,0 - 16,0 mm2	umonteret	38 8398 610	
	4 x 25,0 mm2	umonteret	38 8398 625	
	4 x 1,5 - 6,0 mm2	monteret	38 8398 634	
4 x 10,0 - 16,0 mm2	monteret	38 8398 640		
4 x 25,0 mm2	monteret	38 8398 655		



## GRUNDFOS FREKV.OMF./MOTORBESK.

	<b>FREKV.OMFORM. EKSTERN</b>	Varenr.	Enhedspris kr.
	Type: CUE 3x380/500v, vægmont. IP55 Enkel opstartsguide for hurtig og sikker install.		
	KW:            AMP:		
	2,2            5,6	50 1067 039	
	3,0            7,2	50 1067 709	
	4,0            10,0	50 1067 710	
	5,5            13,0	50 1067 711	
	7,5            16,0	50 1067 722	
	11,0          24,0	50 1067 723	
	15,0          32,0	50 1067 724	
	18,5          37,5	50 1067 725	
	22,0          44,0	50 1067 726	
	30,0          61,0	50 1067 727	
	37,0          73,0	50 1067 728	
	45,0          90,0	50 1068 121	
	55,0          106,0	50 1068 123	
<b>Husk</b> ved dimensionering af dykpumper er det AMP der bestemmer størrelse af frekvensomf.			
	<b>FILTRE</b> For bedre motorbeskyttelse ved dykpumpedrift		
	Filertype:		
	dU/dt          44A, IP54	50 1067 962	
	dU/dt          90A, IP54	50 1067 963	
	dU/dt          106A, IP54	50 1067 964	
	Sinus          8A, IP20	50 1067 973	
	Sinus          10A, IP20	50 1067 974	
	Sinus          17A, IP20	50 1067 976	
	Sinus          24A, IP20	50 1067 977	
	Sinus          38A, IP20	50 1067 978	
		<b>TRYKTRANSMITTER</b> Tryktransmitterkit ekskl. kabel	
Type:          Tryk:			
MBS1700      0 – 6 bar		50 1068 454	
MBS1700      0 – 10 bar		50 1068 455	
MBS1700      0 – 16 bar	50 1068 456		
	<b>KONTROL/KOMMUNIKATION</b>  Overvåger isolationsmodstand før opstart, Temp, belastning, spænding, fasefølge, mgl fase, Eff.forbr./faktor, Driftstimer, Starter m.m.		
	MP 204 Motorbeskyttelse	38 0678 400	
	Universaldongle MI301 m/Bluetooth	38 0679 301	
	Kommunikation/overvågning via Grundfos Go. E-pumper, CU300, CU301 og MP204.		



## GRUNDFOS IN-LINE PUMPER

## TP SERIE 300

Type	Motor		400V Amp	Ydelse m <sup>3</sup> /t						Varenr.	Enhedspris kr.
	HK	KW		40	60	80	100	120	140		
	Løftehøjde m.v.s.										
TP80-330/2 *	15,0	11,0	20	31	31	30	27	23		38 2764 331	
TP80-400/2 *	20,0	15,0	27	39	39	38	36	33		38 2764 401	
TP80-520/2 *	25,0	18,5	33	50	49	47	44	41		38 2764 521	
TP80-570/2 *	30,0	22,0	39	56	55	54	51	47	43	38 2764 571	
TP80-700/2 *	40,0	30,0	53	67	67	66	64	61	57	38 2764 701	

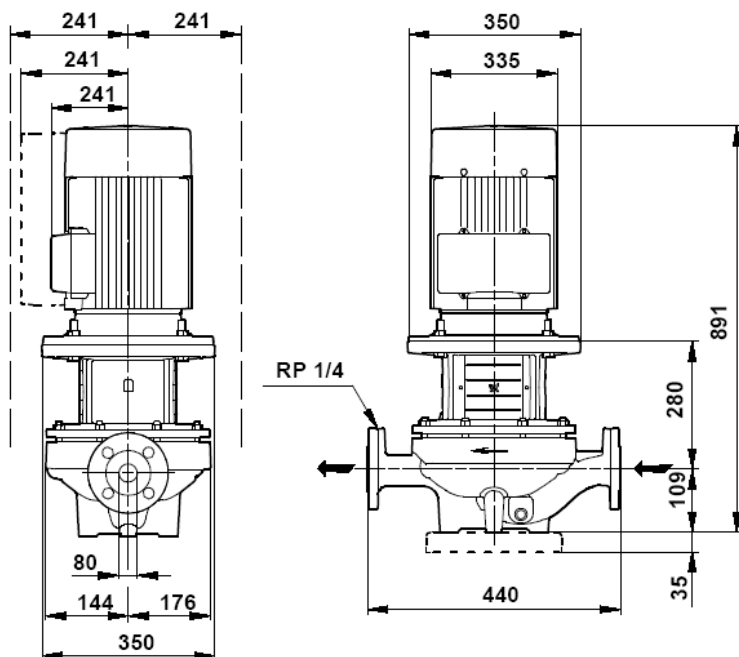
DN80/PN16 flangetilslutning



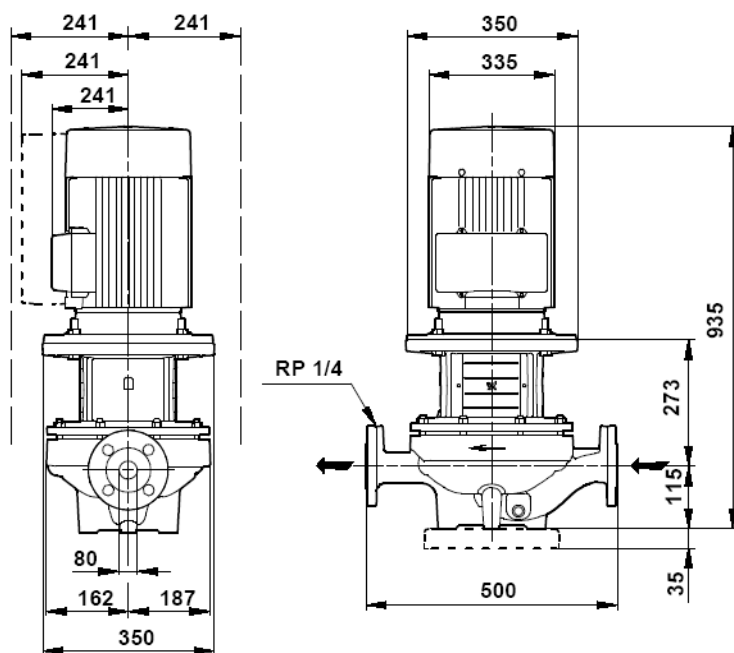
TEKNISKE DATA

TP SERIE 300

TP80-330/2 og TP80-400/2



TP80-520/2, TP570/2 og TP80-700/2





**GRUNDFOS DYKPUMPER 230V-50HZ** **SQ2E**

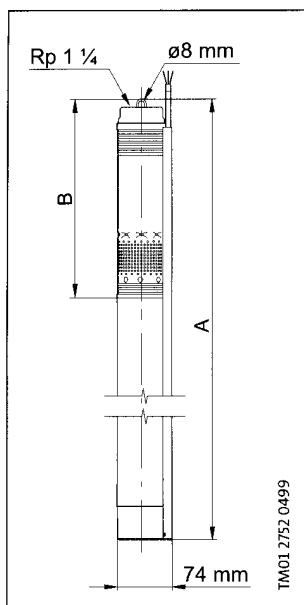
Type	Pumpe Effekt KW	Motor Effekt KW	Ydelse m3/t							Varenr.
			0,5	1,0	1,5	2,0	2,5	3,0		
			Løftehøjde m.v.s.							
SQE2-35	0,45	0,70	43	42	39	35	29	19	38 8442 435	
SQE2-55	0,65	0,70	66	63	60	54	45	32	38 8442 455	
SQE2-70	0,87	1,15	87	84	79	72	60	43	38 8442 470	
SQE2-85	0,98	1,15	108	105	99	89	74	54	38 8442 485	
SQE2-100	1,30	1,68	131	128	120	109	91	67	38 8442 500	
SQE2-115	1,50	1,85	154	150	142	129	108	79	38 8442 515	



## TEKNISKE DATA

## SQ2E

### Mål og vægt



Pumpetype	Trinantal	Motor		Mål [mm]		Netto-vægt [kg]*	Shipping-volumen [m <sup>3</sup> ]*
		Type	Afgiven effekt (P <sub>2</sub> ) [kW]	A	B		
SQ 2 - 35 (-N) SQE 2 - 35	2	MS 3 (-NE) MSE 3	0,1-0,63	745	265	4,7	0,0092
SQ 2 - 55 (-N) SQE 2 - 55	3	MS 3 (-NE) MSE 3	0,7-1,05	745	265	5,2	0,0092
SQ 2 - 70 (-N) SQE 2 - 70	4	MS 3 (-NE) MSE 3	0,7-1,05	772	292	5,4	0,0094
SQ 2 - 85 (-N) SQE 2 - 85	5	MS 3 (-NE) MSE 3	1,1-1,73	862	346	6,2	0,0104
SQ 2 - 100 (-N) SQE 2 - 100	6	MS 3 (-NE) MSE 3	1,1-1,73	862	346	6,2	0,0104
SQ 2 - 115 (-N) SQE 2 - 115	7	MS 3 (-NE) MSE 3	1,1-1,73	889	373	6,3	0,0107

\* Inklusive pumpe, motor, 1,5 m kabel og kabelbeskytter.

### Elektriske data

1 x 200-240 V, 50/60 Hz

Pumpetype	Motortype	Optagen effekt, motor (P <sub>1</sub> ) [kW]	Afgiven effekt, motor (P <sub>2</sub> ) [kW]	Krævet effekt, pumpe [kW]	Fuldlaststrøm I <sub>1/1</sub> [A]		Motorvirkningsgrad ved fuld belastning (η) [%]
					230 V	200 V	
SQ 2 - 35 (-N) SQE 2 - 35	MS 3 (-NE) MSE 3	0,72	0,1-0,63	0,45	3,2	3,7	70
SQ 2 - 55 (-N) SQE 2 - 55	MS 3 (-NE) MSE 3	0,91	0,7-1,05	0,65	4,1	4,7	70
SQ 2 - 70 (-N) SQE 2 - 70	MS 3 (-NE) MSE 3	1,20	0,7-1,05	0,87	5,4	6,2	73
SQ 2 - 85 (-N) SQE 2 - 85	MS 3 (-NE) MSE 3	1,38	1,1-1,73	0,98	6,8	7,8	73
SQ 2 - 100 (-N) SQE 2 - 100	MS 3 (-NE) MSE 3	1,80	1,1-1,73	1,30	8,4	9,7	74
SQ 2 - 115 (-N) SQE 2 - 115	MS 3 (-NE) MSE 3	2,11	1,1-1,73	1,50	9,9	11,1	74

## GRUNDFOS DYKPUMPER 230V-50HZ

## SQE3

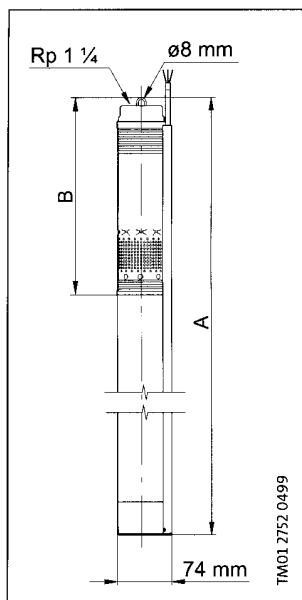
Type	Pumpe Effekt KW	Motor Effekt KW	Ydelse m <sup>3</sup> /t								Varenr.
			1,0	1,5	2,0	2,5	3,0	3,5	4,0	5,0	
			Løftehøjde m.v.s.								
SQE3-30	0,44	0,70		34	32	30	26	22			38 8443 430
SQE3-40	0,63	0,70		53	50	47	42	36			38 8443 440
SQE3-55	0,83	1,15		70	67	63	56	48			38 8443 455
SQE3-65	1,02	1,15		87	83	78	70	60			38 8443 465
SQE3-80	1,23	1,68		105	100	94	85	73			38 8443 480
SQE3-95	1,43	1,68		123	117	109	99	85			38 8443 495
SQE3-105	1,63	1,85		140	134	125	113	97			38 8443 505



## TEKNISKE DATA

## SQE3

### Mål og vægt



Pumpetype	Trinantal	Motor		Mål [mm]		Nettovægt [kg]*	Shippingvolumen [m <sup>3</sup> ]*
		Type	Afgiven effekt (P <sub>2</sub> ) [kW]	A	B		
SQ 3 - 30 (-N) SQE 3 - 30	2	MS 3 (-NE) MSE 3	0,1-0,63	745	265	4,8	0,0092
SQ 3 - 40 (-N) SQE 3 - 40	3	MS 3 (-NE) MSE 3	0,1-0,63	745	265	4,8	0,0092
SQ 3 - 55 (-N) SQE 3 - 55	4	MS 3 (-NE) MSE 3	0,7-1,05	772	292	5,4	0,0094
SQ 3 - 65 (-N) SQE 3 - 65	5	MS 3 (-NE) MSE 3	0,7-1,05	826	346	6,1	0,0100
SQ 3 - 80 (-N) SQE 3 - 80	6	MS 3 (-NE) MSE 3	1,1-1,73	862	346	6,3	0,0104
SQ 3 - 95 (-N) SQE 3 - 95	7	MS 3 (-NE) MSE 3	1,1-1,73	889	373	6,4	0,0107
SQ 3 - 105 (-N) SQE 3 - 105	8	MS 3 (-NE) MSE 3	1,1-1,73	943	427	6,5	0,0113

\* Inklusive pumpe, motor, 1,5 m kabel og kabelbeskytter.

### Elektriske data

1 x 200-240 V, 50/60 Hz

Pumpetype	Motortype	Optagen effekt, motor (P <sub>1</sub> ) [kW]	Afgiven effekt, motor (P <sub>2</sub> ) [kW]	Krævet effekt, pumpe [kW]	Fuldlaststrøm I <sub>1/1</sub> [A]		Motorvirkningsgrad ved fuld belastning (η) [%]
					230 V	200 V	
SQ 3 - 30 (-N) SQE 3 - 30	MS 3 (-NE) MSE 3	0,72	0,1-0,63	0,44	3,2	3,7	70
SQ 3 - 40 (-N) SQE 3 - 40	MS 3 (-NE) MSE 3	0,88	0,1-0,63	0,63	4,0	4,6	70
SQ 3 - 55 (-N) SQE 3 - 55	MS 3 (-NE) MSE 3	1,14	0,7-1,05	0,83	5,1	5,9	73
SQ 3 - 65 (-N) SQE 3 - 65	MS 3 (-NE) MSE 3	1,40	0,7-1,05	1,02	6,2	7,1	73
SQ 3 - 80 (-N) SQE 3 - 80	MS 3 (-NE) MSE 3	1,70	1,1-1,73	1,23	7,9	9,1	74
SQ 3 - 95 (-N) SQE 3 - 95	MS 3 (-NE) MSE 3	1,98	1,1-1,73	1,43	9,2	10,6	74
SQ 3 - 105 (-N) SQE 3 - 105	MS 3 (-NE) MSE 3	2,28	1,1-1,73	1,63	10,6		74

## GRUNDFOS DYKPUMPER 230V-50HZ

## SQE5

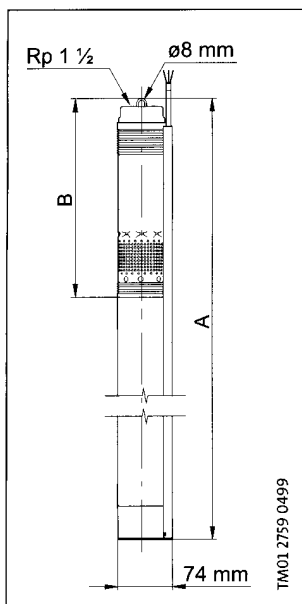
Type	Pumpe Effekt KW	Motor Effekt KW	Ydelse m <sup>3</sup> /t								Varenr.
			2,0	2,5	3,0	3,5	4,0	5,0	6,0	7,0	
			Løftehøjde m.v.s.								
SQE5-15	0,26	0,70			15	14	13	11	7		38 8445 415
SQE5-25	0,54	0,70			31	29	28	24	18		38 8445 425
SQE5-35	0,80	1,15			46	44	42	36	28		38 8445 435
SQE5-50	1,06	1,68			62	59	56	49	38		38 8445 450
SQE5-60	1,33	1,68			77	74	70	61	48		38 8445 460
SQE5-70	1,60	1,85			93	89	85	73	58		38 8445 470



## TEKNISKE DATA

## SQE5

### Mål og vægt




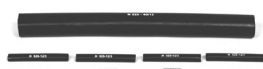


Pumpetype	Trinantal	Motor		Mål [mm]		Netto-vægt [kg]*	Shipping-volumen [m <sup>3</sup> ]*
		Type	Afgiven effekt (P <sub>2</sub> ) [kW]	A	B		
SQ 5 - 15 (-N) SQE 5 - 15	1	MS 3 (-NE) MSE 3	0,1-0,63	745	265	4,7	0,0092
SQ 5 - 25 (-N) SQE 5 - 25	2	MS 3 (-NE) MSE 3	0,1-0,63	745	265	4,8	0,0092
SQ 5 - 35 (-N) SQE 5 - 35	3	MS 3 (-NE) MSE 3	0,7-1,05	826	346	5,5	0,0100
SQ 5 - 50 (-N) SQE 5 - 50	4	MS 3 (-NE) MSE 3	1,1-1,73	862	346	6,2	0,0104
SQ 5 - 60 (-N) SQE 5 - 60	5	MS 3 (-NE) MSE 3	1,1-1,73	943	427	6,4	0,0113
SQ 5 - 70 (-N) SQE 5 - 70	6	MS 3 (-NE) MSE 3	1,1-1,73	943	427	6,4	0,0113

\* Inklusive pumpe, motor, 1,5 m kabel og kabelbeskytter.

### Elektriske data

1 x 200-240 V, 50/60 Hz

Pumpetype	Motortype	Optagen effekt, motor (P <sub>1</sub> ) [kW]	Afgiven effekt, motor (P <sub>2</sub> ) [kW]	Krævet effekt, pumpe [kW]	Fuldlaststrøm I <sub>1/1</sub> [A]		Motorvirkningsgrad ved fuld belastning (η) [%]
					230 V	200 V	
SQ 5 - 15 (-N) SQE 5 - 15	MS 3 (-NE) MSE 3	0,41	0,1-0,63	0,26	1,9	2,2	70
SQ 5 - 25 (-N) SQE 5 - 25	MS 3 (-NE) MSE 3	0,76	0,1-0,63	0,54	3,4	3,9	70
SQ 5 - 35 (-N) SQE 5 - 35	MS 3 (-NE) MSE 3	1,10	0,7-1,05	0,80	4,9	5,6	70
SQ 5 - 50 (-N) SQE 5 - 50	MS 3 (-NE) MSE 3	1,49	1,1-1,73	1,06	7,0	8,1	73
SQ 5 - 60 (-N) SQE 5 - 60	MS 3 (-NE) MSE 3	1,84	1,1-1,73	1,33	8,6	9,9	74
SQ 5 - 70 (-N) SQE 5 - 70	MS 3 (-NE) MSE 3	2,23	1,1-1,73	1,60	10,4	-	74

KABLER OG TILBEHØR							
	<b>KABELDIMENSIONERINGER</b>				Varenr.		
	Motor	Maximum længde (mtr.)					
		1,5 mm <sup>2</sup>	2,5 mm <sup>2</sup>	4 mm <sup>2</sup>			6 mm <sup>2</sup>
	0,70	69	115				
	1,15	43	71	114			
	1,68	32	54	86			129
1,85	30	50	80	120			
	<b>GUMMIKABEL, 3-LEDER</b>						
	Størrelse:						
	3 x 1,5 mm <sup>2</sup>	Blå	Drikkevandsgodk.				38 8418 315
	3 x 1,5 mm <sup>2</sup>	Sort	H07-RNF				38 8418 315-2
	3 x 2,5 mm <sup>2</sup>	Sort	H07-RNF				38 8418 325
3 x 4,0 mm <sup>2</sup>	Sort	H07-RNF		38 8418 340			
	<b>KABELSAMLESÆT</b>						
	Størrelse:						
	3 x 1,5mm <sup>2</sup>	umonteret		38 8419 015			
	3 x 2,5mm <sup>2</sup>	umonteret		38 8419 025			
	3 x 4,0mm <sup>2</sup>	umonteret		38 8419 040			
	3 x 1,5mm <sup>2</sup>	monteret		38 8419 315			
3 x 2,5mm <sup>2</sup>	monteret		38 8419 325				
3 x 4,0mm <sup>2</sup>	monteret		38 8419 340				
	<b>KABELKIT KOMPLET</b>						
	Kabellængde:		Kabeldimension				
	1,5 m	3x1,5mm <sup>2</sup>		38 8449 301			
	5 m	3x1,5mm <sup>2</sup>		38 8449 305			
	10 m	3x1,5mm <sup>2</sup>		38 8449 310			
	15 m	3x1,5mm <sup>2</sup>		38 8449 315			
	20 m	3x1,5mm <sup>2</sup>		38 8449 320			
	30 m	3x1,5mm <sup>2</sup>		38 8449 330			
	40 m	3x1,5mm <sup>2</sup>		38 8449 340			
	50 m	3x1,5mm <sup>2</sup>		38 8449 350			
	60 m	3x1,5mm <sup>2</sup>		38 8449 360			
	40 m	3x2,5mm <sup>2</sup>		38 8449 440			
	50 m	3x2,5mm <sup>2</sup>		38 8449 450			
	60 m	3x2,5mm <sup>2</sup>		38 8449 460			
	80 m	3x2,5mm <sup>2</sup>		38 8449 480			
	<b>SQE KONSTANTTRYKSPAKKE</b>						
	Bestående af: CU301, Membranbeholder, Kugleventil, sensorsæt, manometer og kabelbinder.						
Komplet pakke – uden pumpe				38 8449 702			





## GRUNDFOS CENTRIFUGALPUMER 1x230V CM 3 / 5 / 10

	Motor P <sub>2</sub> (W)	Ydelse m <sup>3</sup> /t								Varenr.
		0,5	1,0	1,5	2,0	2,5	3,0	3,5	4,0	
		Løftehøjde m.v.s.								
CM3-2	300	18	17	17	16	15	13	12	10	38 5108 020
CM3-3	500	27	26	25	24	22	20	18	15	38 5108 030
CM3-4	500	36	35	33	31	29	26	23	18	38 5108 040
CM3-5	500	44	42	40	38	35	31	27	21	38 5108 050
CM3-6	670	54	51	49	46	42	38	33	27	38 5108 060
CM3-7	900	63	61	58	55	52	47	41	33	38 5108 070
CM3-8	900	72	70	66	62	58	52	46	37	38 5108 080

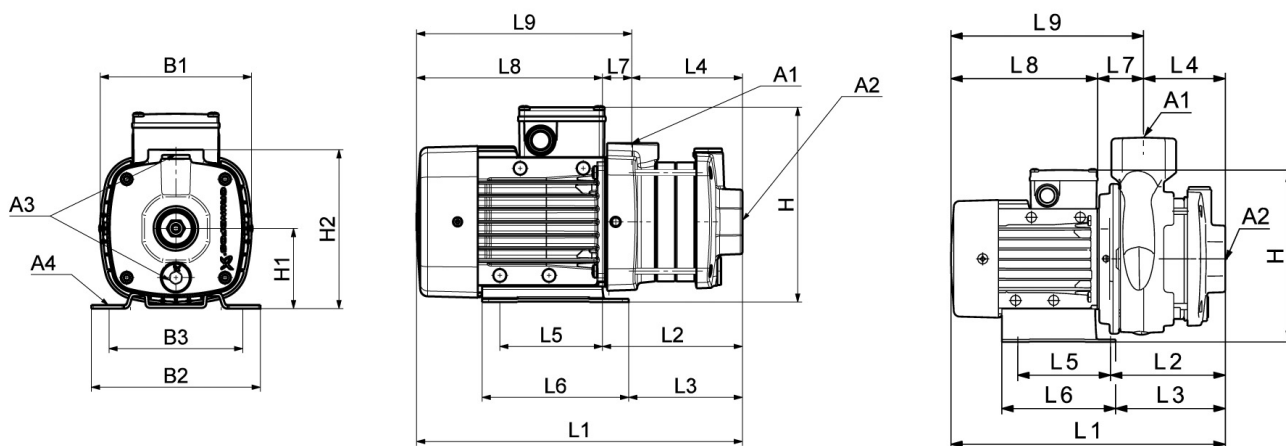
	Motor P <sub>2</sub> (W)	Ydelse m <sup>3</sup> /t							Varenr.
		1,0	2,0	3,0	4,0	5,0	6,0		
		Løftehøjde m.v.s.							
CM5-2	500	18	17	16	15	13	11		38 5111 020
CM5-3	500	26	25	24	22	19	15		38 5111 030
CM5-4	670	36	34	32	30	26	20		38 5111 040
CM5-5	900	45	43	41	38	34	26		38 5111 050
CM5-6	1300	56	53	51	47	41	32		38 5111 060
CM5-7	1300	65	62	58	53	46	35		38 5111 070
CM5-8	1700	72	70	67	62	55	42		38 5111 080

	Motor P <sub>2</sub> (W)	Ydelse m <sup>3</sup> /t								Varenr.
		2,0	4,0	6,0	8,0	10,0	12,0	14,0	16,0	
		Løftehøjde m.v.s.								
CM10-1	670	16	16	15	14	12	11	8		38 5115 010
CM10-2	1300	32	31	30	28	25	21	17		38 5115 020
CM10-3	1700	49	48	47	44	40	35	29		38 5115 030




## TEKNISKE DATA

## CM 3 / 5 / 10



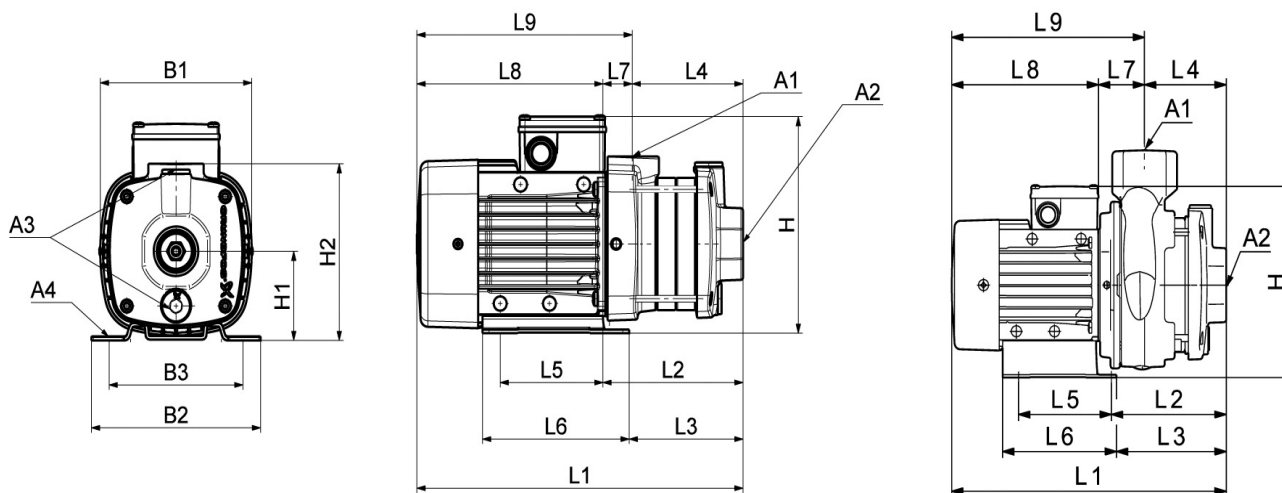
### CM 3 / 5 / 10

1 x 220-240 V, 50 Hz			Måleskema																	
Pumpe type	P2 (kW)	A1	A2	A3	A4	B1	B2	B3	H	H1	H2	L1	L2	L3	L4	L5	L6	L7	L8	L9
CM3-2	0,3	Rp 1	Rp 1	Rp 3/8	11	141	158	125	208	75	149	286	112	88	85	96	137	25	174	201
CM3-3	0,5	Rp 1	Rp 1	Rp 3/8	11	141	158	125	208	75	149	304	130	106	103	96	137	25	174	201
CM3-4	0,5	Rp 1	Rp 1	Rp 3/8	11	141	158	125	208	75	149	322	148	124	121	96	137	25	174	201
CM3-5	0,5	Rp 1	Rp 1	Rp 3/8	11	141	158	125	208	75	149	340	166	142	139	96	137	25	174	201
CM3-6	0,67	Rp 1	Rp 1	Rp 3/8	11	141	158	125	208	75	149	398	184	160	157	96	137	25	214	241
CM3-7	0,9	Rp 1	Rp 1	Rp 3/8	11	141	158	125	208	75	149	416	202	178	175	96	137	25	214	241
CM3-8	0,9	Rp 1	Rp 1	Rp 3/8	11	141	158	125	208	75	149	434	220	196	193	96	137	25	214	241
CM5-2	0,5	Rp 1	Rp 1/4	Rp 3/8	11	141	158	125	208	75	149	286	112	88	85	96	137	25	174	201
CM5-3	0,5	Rp 1	Rp 1/4	Rp 3/8	11	141	158	125	208	75	149	304	130	106	103	96	137	25	174	201
CM5-4	0,67	Rp 1	Rp 1/4	Rp 3/8	11	141	158	125	208	75	149	362	148	124	121	96	137	25	214	241
CM5-5	0,9	Rp 1	Rp 1/4	Rp 3/8	11	141	158	125	208	75	149	380	166	142	139	96	137	25	214	241
CM5-6	1,3	Rp 1	Rp 1/4	Rp 3/8	10	178	178	140	229	90	201	449	225	210	144	125	155	15	224	306
CM5-7	1,3	Rp 1	Rp 1/4	Rp 3/8	10	178	178	140	229	90	201	467	243	228	162	125	155	15	224	306
CM5-8	1,7	Rp 1	Rp 1/4	Rp 3/8	10	178	178	140	229	90	201	485	261	246	180	125	155	15	224	306
CM10-1	0,67	Rp 1 1/2	Rp 1 1/2	Rp 3/8	11	190	158	125	233	100	242	370	156	131	97	95	137	25	214	272
CM10-2	1,3	Rp 1 1/2	Rp 1 1/2	Rp 3/8	12	190	199	160	239	100	242	411	179	164	97	140	170	15	232	314
CM10-3	1,7	Rp 1 1/2	Rp 1 1/2	Rp 3/8	12	190	199	160	239	100	242	441	209	194	127	140	170	15	232	314

GRUNDFOS CENTRIFUGALPUMER 3x400V										CM 3 / 5 / 10	
	Motor P <sub>2</sub> /KW	Ydelse m <sup>3</sup> /t								Varenr.	
		0,5	1,0	1,5	2,0	2,5	3,0	3,5	4,0		
		Løftehøjde m.v.s.									
CM3-2	0,46	18	17	17	16	15	14	12	10	38 5109 020	
CM3-3	0,46	28	27	26	24	22	20	18	15	38 5109 030	
CM3-4	0,46	36	35	33	31	29	26	23	19	38 5109 040	
CM3-5	0,60	46	44	42	40	37	34	30	24	38 5109 050	
CM3-6	0,65	55	53	51	48	44	40	35	29	38 5109 060	
CM3-7	1,10	66	64	62	59	56	51	45	38	38 5109 070	
CM3-8	1,10	75	73	71	67	63	58	52	43	38 5109 080	
	Motor P <sub>2</sub> /KW	Ydelse m <sup>3</sup> /t								Varenr.	
		1,0	2,0	3,0	4,0	5,0	6,0				
		Løftehøjde m.v.s.									
CM5-2	0,46	18	17	16	15	13	11			38 5113 020	
CM5-3	0,60	27	26	25	23	21	17			38 5113 030	
CM5-4	1,10	38	37	36	34	31	26			38 5113 040	
CM5-5	1,10	47	46	44	42	38	31			38 5113 050	
CM5-6	1,50	57	56	54	51	46	38			38 5113 060	
CM5-7	1,50	67	65	63	60	53	43			38 5113 070	
CM5-8	2,20	77	75	73	70	63	51			38 5113 080	
	Motor P <sub>2</sub> /KW	Ydelse m <sup>3</sup> /t								Varenr.	
		2,0	4,0	6,0	8,0	10,0	12,0	14,0	16,0		
		Løftehøjde m.v.s.									
CM10-1	0,60	16	16	15	15	13	11	9		38 5117 010	
CM10-2	1,50	33	33	32	30	28	24	20		38 5117 020	
CM10-3	2,20	49	49	48	45	41	36	30		38 5117 030	
CM10-4	3,00	66	66	64	61	56	49	40		38 5117 040	
CM10-5	3,00	82	81	79	74	68	59	50		38 5117 050	
											

TEKNISKE DATA

CM 3 / 5 / 10



CM 3 / 5 / 10

3 x 400 V, 50 Hz		Måleskema																		
Pumpe type	P2 (kW)	A1	A2	A3	A4	B1	B2	B3	H	H1	H2	L1	L2	L3	L4	L5	L6	L7	L8	L9
CM3-2	0,46	Rp 1	Rp 1	Rp 3/8	11	141	158	125	184	75	149	286	112	88	85	96	137	25	174	201
CM3-3	0,46	Rp 1	Rp 1	Rp 3/8	11	141	158	125	184	75	149	304	130	106	103	96	137	25	174	201
CM3-4	0,46	Rp 1	Rp 1	Rp 3/8	11	141	158	125	184	75	149	322	148	124	121	96	137	25	174	201
CM3-5	0,60	Rp 1	Rp 1	Rp 3/8	11	141	158	125	184	75	149	340	166	142	139	96	137	25	174	201
CM3-6	0,65	Rp 1	Rp 1	Rp 3/8	11	141	158	125	184	75	149	358	184	160	157	96	137	25	174	201
CM3-7	1,10	Rp 1	Rp 1	Rp 3/8	11	141	158	125	184	75	149	436	202	178	175	96	137	25	234	261
CM3-8	1,10	Rp 1	Rp 1	Rp 3/8	11	141	158	125	184	75	149	454	220	196	193	96	137	25	234	261
CM5-2	0,46	Rp 1	Rp 1/4	Rp 3/8	11	141	158	125	184	75	149	286	112	88	85	96	137	25	174	201
CM5-3	0,60	Rp 1	Rp 1/4	Rp 3/8	11	141	158	125	184	75	149	304	130	106	103	96	137	25	174	201
CM5-4	1,10	Rp 1	Rp 1/4	Rp 3/8	11	141	158	125	184	75	149	382	148	124	121	96	137	25	234	261
CM5-5	1,10	Rp 1	Rp 1/4	Rp 3/8	11	141	158	125	184	75	149	400	166	142	139	96	137	25	234	261
CM5-6	1,50	Rp 1	Rp 1/4	Rp 3/8	10	178	178	140	200	90	201	449	225	210	144	125	155	15	224	306
CM5-7	1,50	Rp 1	Rp 1/4	Rp 3/8	10	178	178	140	200	90	201	467	243	228	162	125	155	15	224	306
CM5-8	2,20	Rp 1	Rp 1/4	Rp 3/8	10	178	178	140	200	90	201	525	261	246	180	125	155	15	264	346
CM10-1	0,60	Rp 1 1/2	Rp 1 1/2	Rp 3/8	11	190	158	125	209	100	242	330	156	131	97	95	137	25	174	232
CM10-2	1,50	Rp 1 1/2	Rp 1 1/2	Rp 3/8	12	190	199	160	210	100	242	411	179	164	97	140	170	15	232	314
CM10-3	2,20	Rp 1 1/2	Rp 1 1/2	Rp 3/8	12	190	199	160	210	100	242	481	209	194	127	140	170	15	272	354
CM10-4	3,00	Rp 1 1/2	Rp 1 1/2	Rp 3/8	12	198	199	160	220	100	242	527	254	239	157	140	170	15	273	370
CM10-5	3,00	Rp 1 1/2	Rp 1 1/2	Rp 3/8	12	198	199	160	220	100	242	527	254	239	157	140	170	15	273	370

## GRUNDFOS CENTRIFUGALPUMER 3x400V

## CM 15 / 25

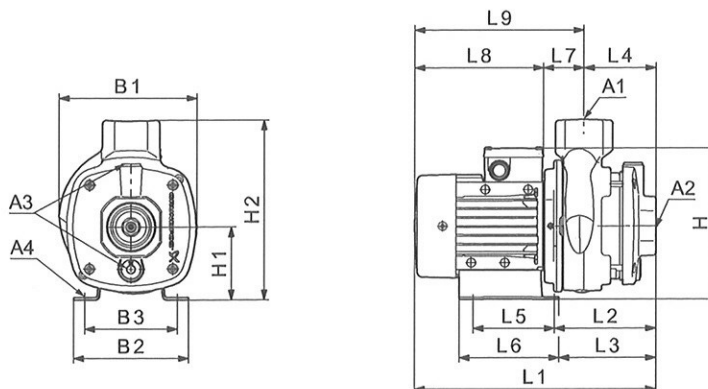
	Motor P <sub>2</sub> (W)	Ydelse m <sup>3</sup> /t								Varenr.
		8	10	12	14	16	18	20	22	
		Løftehøjde m.v.s.								
CM15-1	1,1	18	18	17	17	15	14	13	11	38 5121 010
CM15-2	2,2	36	35	34	33	31	29	26	22	38 5121 020
CM15-3	4,0	54	53	52	51	48	45	41	36	38 5121 030
CM15-4	5,5	72	71	69	67	64	60	54	48	38 5121 040

	Motor P <sub>2</sub> (W)	Ydelse m <sup>3</sup> /t								Varenr.
		10	14	18	22	26	30			
		Løftehøjde m.v.s.								
CM25-1	2,2	19	19	18	17	15	12			38 5125 010
CM25-2	4,0	38	37	36	34	30	26			38 5125 020
CM25-3	5,5	55	55	54	51	46	40			38 5125 030
CM25-4	7,5	73	73	72	68	61	52			38 5125 040



TEKNISKE DATA

CM 15 / 25



TMC4 6111 4909

Dimensions

3 x 220-240/380-415 V, 50 Hz (supply voltage F)

Pump type	Frame size	P <sub>2</sub> [kW]	Dimensions [mm]																		
			A1	A2	A3	A4	B1	B2	B3	H	H1	H2	L1	L2	L3	L4	L5	L6	L7	L8	L9
CM15-1	80	1.2	2"	2"	3/8"	10.2	190	158	125	209	100	245	389	155	131	97	96	137	58	234	292
CM15-2	90	2.2	2"	2"	3/8"	10.2	190	199	160	210	100	245	461	190	175	97	140	170	93	272	364
CM15-3	100	4.0	2"	2"	3/8"	12.0	198	199	160	220	100	245	507	235	220	127	140	170	108	272	380
CM15-4	132	5.8	2"	2"	3/8"	12.0	220	228	190	246	112	257	590	288	272	157	140	172	131	302	433

3 x 220-240/380-415 V, 50 Hz (supply voltage F)

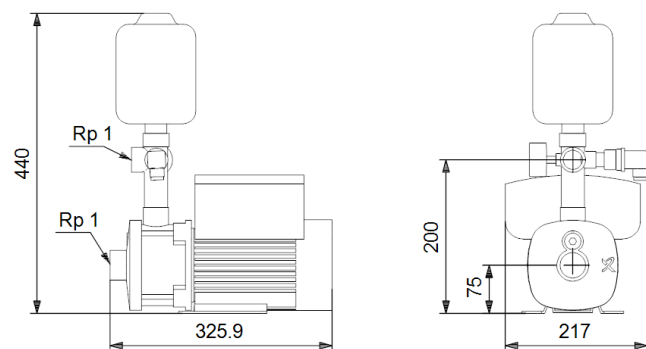
Pump type	Frame size	P <sub>2</sub> [kW]	Dimensions [mm]																		
			A1	A2	A3	A4	B1	B2	B3	H	H1	H2	L1	L2	L3	L4	L5	L6	L7	L8	L9
CM25-1	90	2.2	2"	2"	3/8"	10.2	190	199	160	210	100	245	461	190	175	97	140	170	93	272	364
CM25-2	100	4.0	2"	2"	3/8"	12.0	198	199	160	220	100	245	477	205	190	97	140	170	108	272	380
CM25-3	132	5.8	2"	2"	3/8"	12.0	220	228	190	246	112	257	560	258	242	127	140	172	131	302	433
CM25-4	132	7.4	2"	2"	3/8"	12.0	220	228	190	246	112	257	590	288	272	157	140	172	131	302	433

GRUNDFOS TRYKFORØGNING											CMBE 3 / 5 – SCALA2	
	Motor	Ydelse m3/t								1X230V 50hz	Varenr.	
		1	2	3	4	5						
		Løftehøjde m.v.s.										
CMBE 3-62	1,1	64	60	54	47	38				6,7 A	38 5185 362	
CMBE 3-93	1,5									9,1 A	38 5185 393	
	Motor	Ydelse m3/t								1x230v 50hz	Varenr.	
		2	3	4	5	6	7	8				
		Løftehøjde m.v.s.										
CMBE 5-62	1,5	66	65	62	57	48	39			9,1 A	38 5185 562	
	Motor	Ydelse m3/t								1x230v 50hz	Varenr.	
		0,6	1,2	1,8	2,4	3,0	3,6	4,2				
		Løftehøjde m.v.s.										
SCALA2 3-45	0,55	44	42	40	34	27	20	14		2,8 A	38 5183 145	

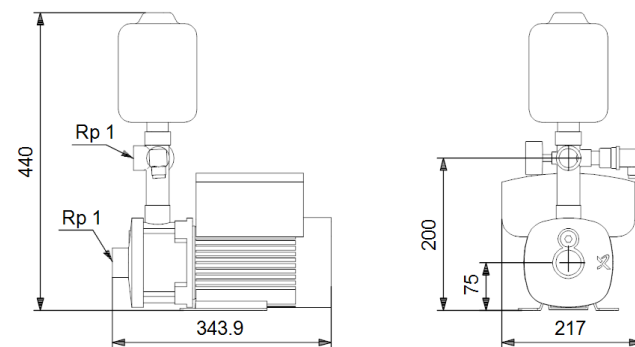


## MÅLSKITSER

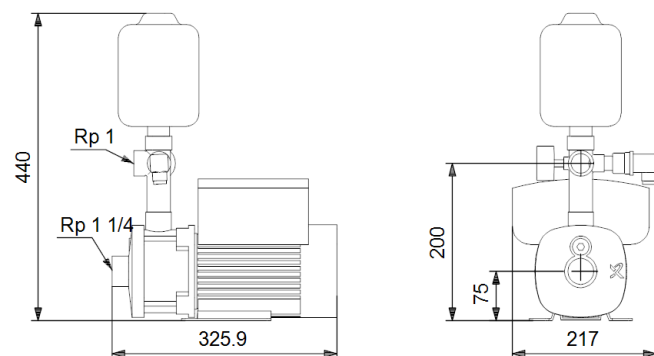
**CMBE 3-30 – Vægt: 26,4 kg.**



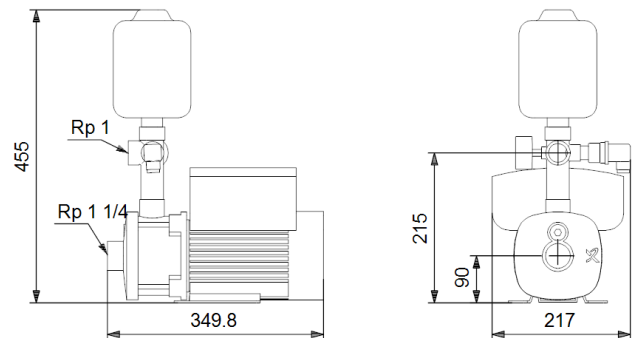
**CMBE 3-62 – Vægt 27,1 kg.**



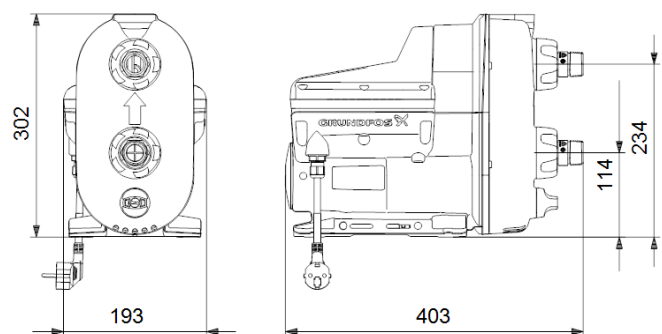
**CMBE 5-31 – Vægt: 26,4 kg.**



**CMBE 5-62 – Vægt: 29,4 kg.**



**SCALA2 3-45 – Vægt: 12,8 kg.**





## GRUNDFOS CENTRIFUGALPUMPER

## CR3

Type	Motor		Ydelse m <sup>3</sup> /t									Varenr.
	HK	KW	1,2	1,6	2,0	2,4	2,8	3,2	3,6	4,0	4,4	
	Løftehøjde m.v.s.											
CR3 – 2	0,5	0,37	12	12	11	11	10	9	8	7	4	38 5901 002
CR3 – 5	0,5	0,37	31	30	29	28	25	21	19	15	12	38 5901 005
CR3 – 6	0,75	0,55	37	36	35	32	30	28	24	20	15	38 5901 006
CR3 – 7	0,75	0,55	44	42	40	37	35	31	27	23	17	38 5901 007
CR3 – 8	1,00	0,75	50	49	47	44	40	36	32	27	21	38 5901 008
CR3 – 9	1,00	0,75	56	54	51	49	45	40	36	30	22	38 5901 009
CR3 – 10	1,00	0,75	61	59	57	54	50	45	39	32	25	38 5901 010
CR3 – 11	1,5	1,1	69	67	63	59	56	50	44	37	29	38 5901 011
CR3 – 15	1,5	1,1	92	89	85	79	73	66	57	48	37	38 5901 015
CR3 – 17	2,0	1,5	108	103	99	94	87	79	70	58	45	38 5901 017
CR3 – 19	2,0	1,5	119	115	110	103	96	87	77	65	50	38 5901 019
CR3 – 21	3,0	2,2	134	129	124	117	109	99	88	74	58	38 5901 021
CR3 – 25	3,0	2,2	158	152	146	138	128	117	101	86	69	38 5901 025
CR3 – 29	3,0	2,2	181	176	168	158	147	133	116	98	77	38 5901 029
CR3 – 36	4,0	3,0	228	220	210	198	185	168	148	125	98	38 5901 036

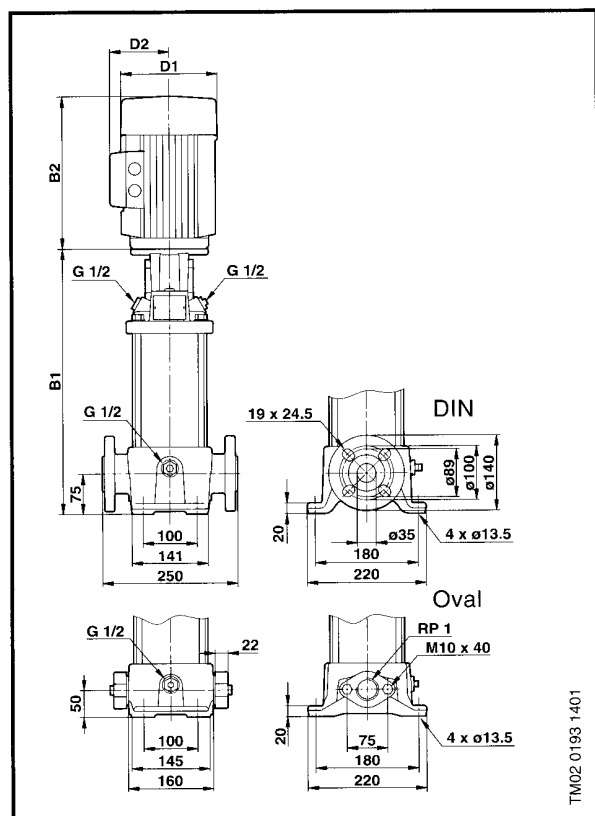
	Type	Tilslutn. Mål	Nom. Tryk
<b>CR3-2 til CR3-23 er incl. 1" modflanger. Øvrige modflanger bestilles separat.</b>	DIN 2566	RP1	16 bar
	DIN 2633	DN25	25 bar



## TEKNISKE DATA

## CR3

### Målskitser



### Mål og vægt

Pumpe- type	Mål [mm]							Nettovægt [kg]	
	Oval flange		DIN flange		B2	D1	D2	Oval	DIN
	B1	B1 + B2	B1	B1 + B2					
CR 3-2	256	447	281	472	191	141	109	18,4	22,5
CR 3-3	256	447	281	472	191	141	109	18,4	22,5
CR 3-4	274	465	299	490	191	141	109	18,7	22,8
CR 3-5	292	483	317	508	191	141	109	19,0	23,1
CR 3-6	310	501	335	526	191	141	109	19,7	23,8
CR 3-7	328	519	353	544	191	141	109	20,3	24,4
CR 3-8	350	581	375	606	231	141	109	22,8	26,9
CR 3-9	368	599	393	624	231	141	109	23,2	27,3
CR 3-10	386	617	411	642	231	141	109	23,7	27,8
CR 3-11	404	635	429	660	231	141	109	25,6	29,7
CR 3-12	422	653	447	678	231	141	109	26,1	30,2
CR 3-13	440	671	465	696	231	141	109	26,3	30,4
CR 3-15	476	707	501	732	231	141	109	26,9	31,0
CR 3-17	528	809	553	834	281	178	110	33,3	37,4
CR 3-19	564	845	589	870	281	178	110	34,0	38,1
CR 3-21	600	881	625	906	281	178	110	36,8	40,9
CR 3-23	636	917	661	942	281	178	110	37,6	41,7
CR 3-25			697	978	281	178	110		42,9
CR 3-27			733	1014	281	178	110		43,4
CR 3-29			769	1050	281	178	110		44,2
CR 3-31			809	1144	335	178	110		50,5
CR 3-33			845	1180	335	178	110		51,2
CR 3-36			899	1234	335	178	110		53,3

### Elektriske data

3 x 220-240/380-415 V, 50 Hz

Pumpetype	Motor P <sub>2</sub> [kW]	Fuldlaststrøm I <sub>1/1</sub> [A]	Effektfaktor Cos φ <sub>1/1</sub>	Motorvirkningsgrad η [%]	I <sub>start</sub> I <sub>1/1</sub>
CR 3-2	0,37	1,66/0,96	0,84-0,76	77,5-77,5	4,8-5,2
CR 3-3	0,37	1,66/0,96	0,84-0,76	77,5-77,5	4,8-5,2
CR 3-4	0,37	1,66/0,96	0,84-0,76	77,5-77,5	4,8-5,2
CR 3-5	0,37	1,66/0,96	0,84-0,76	77,5-77,5	4,8-5,2
CR 3-6	0,55	2,50/1,44	0,84-0,76	79,0-79,0	4,8-5,2
CR 3-7	0,55	2,50/1,44	0,84-0,76	79,0-79,0	4,8-5,2
CR 3-8	0,75	3,20/1,86	0,86-0,78	80,0-80,0	5,0-5,5
CR 3-9	0,75	3,20/1,86	0,86-0,78	80,0-80,0	5,0-5,5
CR 3-10	0,75	3,20/1,86	0,86-0,78	80,0-80,0	5,0-5,5
CR 3-11	1,1	4,60/2,65	0,87-0,79	81,0-81,0	5,2-5,7
CR 3-12	1,1	4,60/2,65	0,87-0,79	81,0-81,0	5,2-5,7
CR 3-13	1,1	4,60/2,65	0,87-0,79	81,0-81,0	5,2-5,7
CR 3-15	1,1	4,60/2,65	0,87-0,79	81,0-81,0	5,2-5,7
CR 3-17	1,5	5,90/3,40	0,85-0,79	82,0-82,0	6,3-6,9
CR 3-19	1,5	5,90/3,40	0,85-0,79	82,0-82,0	6,3-6,9
CR 3-21	2,2	8,25/4,75	0,87-0,82	84,0-84,0	7,0-7,6
CR 3-23	2,2	8,25/4,75	0,87-0,82	84,0-84,0	7,0-7,6
CR 3-25	2,2	8,25/4,75	0,87-0,82	84,0-84,0	7,0-7,6
CR 3-27	2,2	8,25/4,75	0,87-0,82	84,0-84,0	7,0-7,6
CR 3-29	2,2	8,25/4,75	0,87-0,82	84,0-84,0	7,0-7,6
CR 3-31	3,0	10,8/6,25	0,88-0,82	86,0-86,0	7,8-8,5
CR 3-33	3,0	10,8/6,25	0,88-0,82	86,0-86,0	7,8-8,5
CR 3-36	3,0	10,8/6,25	0,88-0,82	86,0-86,0	7,8-8,5

\* Strømme opgives som maks. værdier for hhv. 3 x 220-240 V og 3 x 380-415 V.

## GRUNDFOS CENTRIFUGALPUMPER

## CR5

Type	Motor		Ydelse m <sup>3</sup> /t									Varenr.
	HK	KW	2,5	3	4	5	6	7	8	8,5		
			Løftehøjde m.v.s.									
CR5 - 2	0,5	0,37	12	11	10	9	8	5	3	2	38 5902 002	
CR5 - 3	0,75	0,55	19	18	17	15	12	10	7	5	38 5902 003	
CR5 - 4	0,75	0,55	25	24	22	20	17	14	10	8	38 5902 004	
CR5 - 5	1,0	0,75	31	30	28	25	22	19	14	12	38 5902 005	
CR5 - 6	1,5	1,1	38	37	35	31	28	23	18	15	38 5902 006	
CR5 - 7	1,5	1,1	43	42	40	37	32	27	21	18	38 5902 007	
CR5 - 8	1,5	1,1	50	49	46	41	37	30	24	20	38 5902 008	
CR5 - 9	2,0	1,5	58	57	53	49	43	37	30	26	38 5902 009	
CR5 - 10	2,0	1,5	64	62	59	54	48	41	33	29	38 5902 010	
CR5 - 16	3,0	2,2	104	100	95	88	78	68	55	48	38 5902 016	
CR5 - 18	4,0	3,0	118	116	109	100	90	78	65	57	38 5902 018	
CR5 - 20	4,0	3,0	130	128	120	111	100	87	71	62	38 5902 020	
CR5 - 26	5,5	4,0	170	167	158	146	131	115	95	85	38 5902 026	
CR5 - 29	5,5	4,0	191	188	178	165	149	130	109	96	38 5902 029	

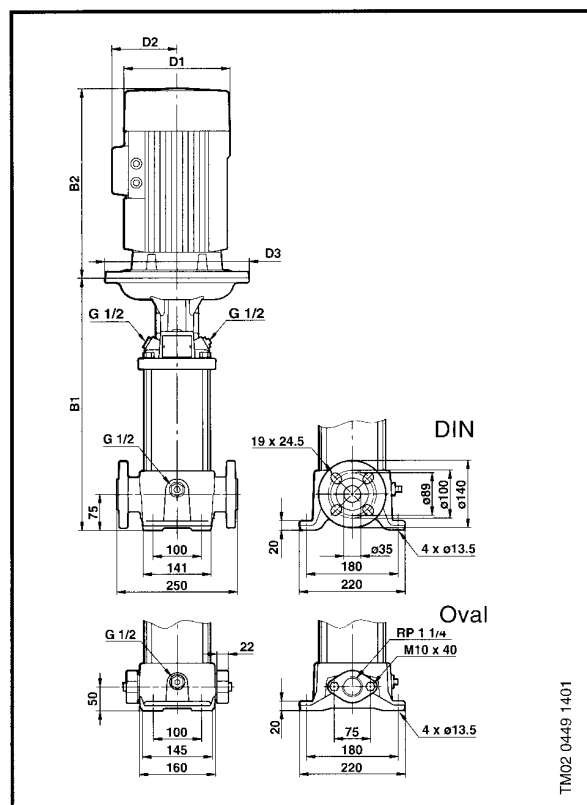
	Type	Tilslutn. Mål	Nom. Tryk
<b>CR5-2 til CR5-20 er incl. 1 1/4" modflanger. Øvrige modflanger bestilles separat</b>	DIN2566	R 1 1/4"	16 bar
	DIN2634	DN32	25 bar



## TEKNISKE DATA

## CR5

### Målskitser



### Mål og vægt

Pumpe- type	Mål [mm]								Nettovægt [kg]	
	Oval flange		DIN flange		B2	D1	D2	D3	Oval	DIN
	B1	B1+B2	B1	B1+B2						
CR 5-2	256	447	281	472	191	141	109		18,4	22,5
CR 5-3	283	474	308	499	191	141	109		19,3	23,4
CR 5-4	310	501	335	526	191	141	109		19,7	23,8
CR 5-5	341	572	366	597	231	141	109		22,6	26,7
CR 5-6	368	599	393	624	231	141	109		24,6	28,7
CR 5-7	395	626	420	651	231	141	109		25,3	29,4
CR 5-8	422	653	447	678	231	141	109		26,1	30,2
CR 5-9	465	746	490	771	281	178	110		32,4	36,5
CR 5-10	492	773	517	798	281	178	110		32,8	36,9
CR 5-11	519	800	544	825	281	178	110		35,1	39,2
CR 5-12	546	827	571	852	281	178	110		35,5	39,6
CR 5-13	573	854	598	879	281	178	110		36,1	40,2
CR 5-14	600	881	625	906	281	178	110		36,8	40,9
CR 5-15	627	908	652	933	281	178	110		37,4	41,5
CR 5-16	654	935	679	960	281	178	110		38,0	42,1
CR 5-18	712	1047	737	1072	335	178	110		44,8	48,9
CR 5-20	766	1101	791	1126	335	178	110		46,1	50,2
CR 5-22	820	1192	845	1217	372	220	134		55,8	59,9
CR 5-24			899	1271	372	220	134			62,0
CR 5-26			953	1325	372	220	134			63,3
CR 5-29			1034	1406	372	220	134			65,2
CR 5-32			1145	1536	391	220	134	300		80,0
CR 5-36			1253	1644	391	220	134	300		82,6

### Elektriske data

3 x 220-240/380-415 V, 50 Hz

Pumpetype	Motor P <sub>2</sub> [kW]	Fuldlaststrøm I <sub>1/1</sub> [A]	Effektfaktor Cos φ <sub>1/1</sub>	Motorvirkningsgrad η [%]	I <sub>start</sub> I <sub>1/1</sub>
CR 5-2	0,37	1,66/0,96	0,84-0,76	77,5-77,5	4,8-5,2
CR 5-3	0,55	2,50/1,44	0,84-0,76	79,0-79,0	4,8-5,2
CR 5-4	0,55	2,50/1,44	0,84-0,76	79,0-79,0	4,8-5,2
CR 5-5	0,75	3,20/1,86	0,86-0,78	80,0-80,0	5,0-5,5
CR 5-6	1,1	4,60/2,65	0,87-0,79	81,0-81,0	5,2-5,7
CR 5-7	1,1	4,60/2,65	0,87-0,79	81,0-81,0	5,2-5,7
CR 5-8	1,1	4,60/2,65	0,87-0,79	81,0-81,0	5,2-5,7
CR 5-9	1,5	5,90/3,40	0,85-0,79	82,0-82,0	6,3-6,9
CR 5-10	1,5	5,90/3,40	0,85-0,79	82,0-82,0	6,3-6,9
CR 5-11	2,2	8,25/4,75	0,87-0,82	84,0-84,0	7,0-7,6
CR 5-12	2,2	8,25/4,75	0,87-0,82	84,0-84,0	7,0-7,6
CR 5-13	2,2	8,25/4,75	0,87-0,82	84,0-84,0	7,0-7,6
CR 5-14	2,2	8,25/4,75	0,87-0,82	84,0-84,0	7,0-7,6
CR 5-15	2,2	8,25/4,75	0,87-0,82	84,0-84,0	7,0-7,6
CR 5-16	2,2	8,25/4,75	0,87-0,82	84,0-84,0	7,0-7,6
CR 5-18	3,0	10,8/6,25	0,88-0,82	86,0-86,0	7,8-8,5
CR 5-20	3,0	10,8/6,25	0,88-0,82	86,0-86,0	7,8-8,5
CR 5-22	4,0	13,8/8,00	0,90-0,87	87,0-87,0	8,7-9,5
CR 5-24	4,0	13,8/8,00	0,90-0,87	87,0-87,0	8,7-9,5
CR 5-26	4,0	13,8/8,00	0,90-0,87	87,0-87,0	8,7-9,5
CR 5-29	4,0	13,8/8,00	0,90-0,87	87,0-87,0	8,7-9,5
CR 5-32	5,5	19,0/11,0	0,89-0,86	87,5-87,5	8,9-9,7
CR 5-36	5,5	19,0/11,0	0,89-0,86	87,5-87,5	8,9-9,7

★ Strømme opgives som maks. værdier for hhv. 3 x 220-240 V og 3 x 380-415 V.

## GRUNDFOS CENTRIFUGALPUMPER

## CR10

Type	Motor		Ydelse m <sup>3</sup> /t								Varenr.
			6	7	8	9	10	11	12	13	
	HK	KW	Løftehøjde m.v.s.								
CR10 – 1	0,50	0,37	9	9	9	8	8	7	6	5	38 5903 010
CR10 – 2	1,0	0,75	19	18	17	16	15	13	12	10	38 5903 020
CR10 – 3	1,5	1,1	29	28	26	24	22	21	18	15	38 5903 030
CR10 – 4	2,0	1,5	39	38	36	33	32	29	25	22	38 5903 040
CR10 – 5	3,0	2,2	50	48	46	43	40	37	33	28	38 5903 050
CR10 – 6	3,0	2,2	60	58	55	52	48	44	39	34	38 5903 060
CR10 – 9	4,0	3,0	79	77	73	69	65	59	53	46	38 5903 090
CR10 – 10	5,5	4,0	100	96	92	87	81	74	67	58	38 5903 100
CR10 – 12	5,5	4,0	119	115	110	103	96	87	78	68	38 5903 120
CR10 – 14	7,5	5,5	140	135	129	122	114	104	94	81	38 5903 140
CR10 – 16	7,5	5,5	159	154	146	138	128	118	105	92	38 5903 160
CR10 – 18	10,0	7,5	181	176	168	160	149	138	123	108	38 5903 180
CR10 – 20	10,0	7,5	201	195	188	177	165	151	135	120	38 5903 200
CR10 – 22	10,0	7,5	220	215	206	194	180	165	150	130	38 5903 220

CR10-01 til CR10-12 Er inkl. 1½" ovale Modflanger. Øvrige modflanger bestilles separat	Type	Tilslutn. Mål	Nom. Tryk
	DIN 2566	Rp 1½	16 bar
	DIN 2566	Rp 2	16 bar
	DIN 2634	DN 40	25 bar

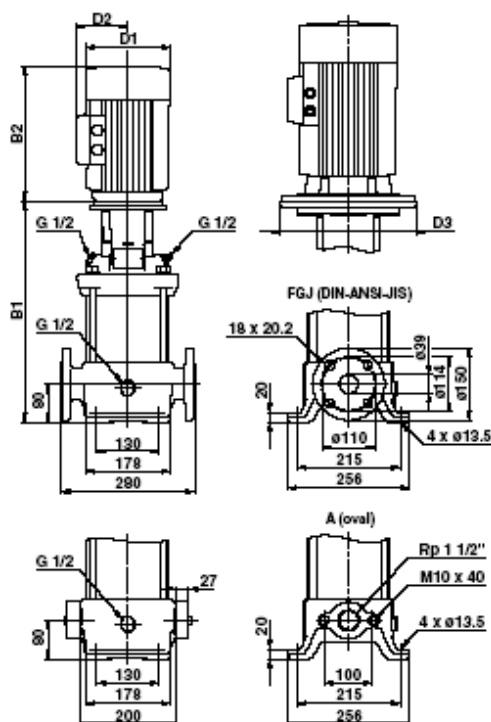


## TEKNISKE DATA

## CR10

### Målskitser og elektriske data

3 x 380-415 V, 50 Hz



Pumpetype	Motor P <sub>2</sub> [kW]	CR				CRE	
		I <sub>1/1</sub> [A]	cos φ <sub>1/1</sub>	η [%]	I <sub>start</sub> I <sub>1/1</sub>	I <sub>1/1</sub> [A]	
CR(E) 10-1*	0,37	0,96	0,84-0,76	77,5-77,5	4,8-5,2	3,0-2,5	
CR(E) 10-2*	0,75	1,86	0,86-0,78	80,0-80,0	5,0-5,5	5,1-4,7	
CR(E) 10-3*	1,1	2,65	0,87-0,79	81,0-81,0	5,2-5,7	7,4-6,8	
CR(E) 10-4	1,5	3,40	0,85-0,79	82,0-82,0	6,3-6,9	3,3-2,7	
CR 10-5	2,2	4,75	0,87-0,82	84,0-84,0	7,0-7,6	-	
CR(E) 10-6	2,2	4,75	0,87-0,82	84,0-84,0	7,0-7,6	4,6-3,8	
CR 10-7	3,0	6,4/6,4	0,87-0,80	85,0-85,0	8,0-8,6	-	
CR 10-8	3,0	6,4/6,4	0,87-0,80	85,0-85,0	8,0-8,6	-	
CR(E) 10-9	3,0	6,4/6,4	0,87-0,80	85,0-85,0	8,0-8,6	6,4-5,2	
CR 10-10	4,0	8,00	0,90-0,87	87,0-87,0	8,7-9,5	-	
CR(E) 10-12	4,0	8,00	0,90-0,87	87,0-87,0	8,7-9,5	6,4-5,2	
CR 10-14	5,5	11,0	0,89-0,86	87,5-87,5	8,9-9,7	-	
CR(E) 10-16	5,5	11,0	0,89-0,86	87,5-87,5	8,9-9,7	11,0-8,8	
CR 10-18	7,5	15,2	0,87-0,81	88,0-88,0	9,1-9,9	-	
CR 10-20	7,5	15,2	0,87-0,81	88,0-88,0	9,1-9,9	-	
CR(E) 10-22	7,5	15,2	0,87-0,81	88,0-88,0	9,1-9,9	15,0-12,0	

TM026574.1008

\* CRE pumpe er forsynet med énfasnet motor (1 x 220-240 V)

### Mål og vægt

Pumpetype	CR									CRE								
	Mål [mm]				Nettovægt [kg]					Mål [mm]				Nettovægt [kg]				
	Oval flange		DIN-flange		D1	D2	D3	Oval flange	DIN-flange	Oval flange	DIN-flange	D1	D2	D3	Oval flange	DIN-flange		
B1	B1+B2	B1	B1+B2				B1	B1+B2	B1	B1+B2	B1	B1+B2		B1	B1+B2			
CR(E) 10-1	343	534	343	534	141	109	-	31,0	34,0	343	534	343	534	141	140	-	32,9	35,9
CR(E) 10-2	347	578	347	578	141	109	-	34,0	36,0	347	628	347	628	178	167	-	35,2	37,2
CR(E) 10-3	377	608	377	608	141	109	-	36,0	39,0	377	658	377	658	178	167	-	32,9	35,9
CR(E) 10-4	423	704	423	704	178	110	-	43,0	46,0	423	704	423	704	178	167	-	54,5	51,5
CR 10-5	453	734	453	734	178	110	-	46,0	49,0	-	-	-	-	-	-	-	-	-
CR(E) 10-6	483	764	483	764	178	110	-	47,0	50,0	483	804	483	804	178	167	-	57,5	60,5
CR 10-7	518	853	518	853	198	120	-	52,0	55,0	-	-	-	-	-	-	-	-	-
CR 10-8	548	883	548	883	198	120	-	53,0	56,0	-	-	-	-	-	-	-	-	-
CR(E) 10-9	578	913	578	913	198	120	-	54,0	57,0	578	913	578	913	198	177	-	63,0	66,0
CR 10-10	608	980	608	980	220	134	-	65,0	68,0	-	-	-	-	-	-	-	-	-
CR(E) 10-12	668	1040	668	1040	220	134	-	67,0	70,0	668	1040	668	1040	220	188	-	78,3	81,3
CR 10-14	760	1151	760	1151	220	134	300	90,0	93,0	-	-	-	-	-	-	-	-	-
CR(E) 10-16	820	1211	820	1211	220	134	300	92,0	95,0	820	1211	820	1211	220	188	298	104,9	107,9
CR 10-18	-	-	880	1271	220	134	300	-	100,0	-	-	-	-	-	-	-	-	-
CR 10-20	-	-	940	1331	220	134	300	-	103,0	-	-	-	-	-	-	-	-	-
CR(E) 10-22	-	-	1000	1391	220	134	300	-	105,0	-	-	1000	1391	220	188	298	-	116,7

## GRUNDFOS CENTRIFUGALPUMPER

## CR15

Type	Motor		Ydelse m <sup>3</sup> /t										Varenr.
			8	10	12	14	16	18	20	22	23		
	HK	KW	Løftehøjde m.v.s.										
CR15 – 1	1,5	1,1	13	12	11	11	10	10	9	8	7	38 5904 310	
CR15 – 2	3,0	2,2	27	26	25	24	22	21	19	17	15	38 5904 320	
CR15 – 3	4,0	3,0	40	39	38	36	34	32	29	26	24	38 5904 330	
CR15 – 4	5,5	4,0	54	53	51	48	46	43	39	35	32	38 5904 340	
CR15 – 5	5,5	4,0	67	65	63	61	57	53	48	43	40	38 5904 350	
CR15 – 6	7,5	5,5	81	79	76	73	70	65	59	53	49	38 5904 360	
CR15 – 7	7,5	5,5	95	92	89	85	80	75	69	61	57	38 5904 370	
CR15 – 8	10,0	7,5	108	106	103	98	93	86	79	70	65	38 5904 080	
CR15 – 9	10,0	7,5	121	119	115	110	104	97	89	79	73	38 5904 090	
CR15 – 10	15,0	11,0	136	134	130	125	117	109	100	89	85	38 5904 100	
CR15 – 12	15,0	11,0	163	159	155	147	140	130	120	106	98	38 5904 120	
CR15 – 14	15,0	11,0	189	185	180	172	162	150	137	122	115	38 5904 140	
CR15 – 17	20,0	15,0	230	226	220	210	198	185	168	150	142	38 5904 170	

Modflanger. bestilles separat	Type	Tilslutn. Mål	Nom. Tryk
	DIN 2566	Rp 2	16 bar
	Specialflange	Rp 2½	16 bar
	DIN 2634	DN 50	25 bar

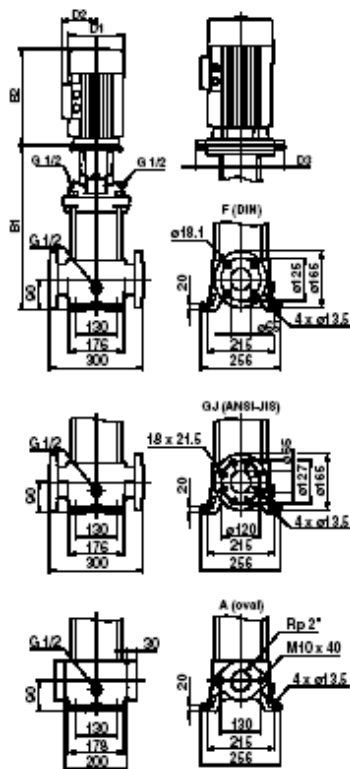


## TEKNISKE DATA

## CR15

### Målskitser og elektriske data

3 x 380-415 V, 50 Hz



Pumpetype	Motor P <sub>2</sub> [kW]	CR				CRE
		I <sub>1/1</sub> [A]	cos φ <sub>1/1</sub>	η [%]	$\frac{I_{start}}{I_{1/1}}$	I <sub>1/1</sub> [A]
CR(E) 15-1*	1,1	2,65	0,87-0,79	81,0-81,0	5,2-5,7	7,4-6,8
CR(E) 15-2	2,2	4,75	0,87-0,82	84,0-84,0	7,0-7,6	4,6-3,8
CR(E) 15-3	3,0	6,4/6,4	0,87-0,80	85,0-85,0	8,0-8,6	6,4-5,2
CR 15-4	4,0	8,00	0,90-0,87	87,0-87,0	8,7-9,5	-
CR(E) 15-5	4,0	8,00	0,90-0,87	87,0-87,0	8,7-9,5	8,1-6,6
CR 15-6	5,5	11,0	0,89-0,86	87,5-87,5	8,9-9,7	-
CR(E) 15-7	5,5	11,0	0,89-0,86	87,5-87,5	8,9-9,7	11,0-8,8
CR 15-8	7,5	15,2	0,87-0,81	88,0-88,0	9,1-9,9	-
CR(E) 15-9	7,5	15,2	0,87-0,81	88,0-88,0	9,1-9,9	15,0-12,0
CR 15-10	11,0	21,5	0,91-0,87	90,0-90,0	7,3-8,0	-
CR 15-12	11,0	21,5	0,91-0,87	90,0-90,0	7,3-8,0	-
CR(E) 15-14	11,0	21,5	0,91-0,87	90,0-90,0	7,3-8,0	21,3
CR(E) 15-17	15,0	28,7	0,87	90,0	6,0	28,1

TM026576 1008

\* CRE pumpe er forsynet med énfasnet motor (1 x 220-240 V)

### Mål og vægt

Pumpetype	CR								CRE									
	Mål [mm]				Nettovægt [kg]				Mål [mm]				Nettovægt [kg]					
	Oval flange		DIN-flange		D1	D2	D3	Oval flange	DIN-flange	Oval flange		DIN-flange		D1	D2	D3	Oval flange	DIN-flange
B1	B1+B2	B1	B1+B2	B1						B1+B2	B1	B1+B2						
CR(E) 15-1	400	631	400	631	141	109	-	40,0	41,0	400	681	400	681	178	167	-	36,9	37,9
CR(E) 15-2	415	696	415	696	178	110	-	49,0	50,0	415	736	415	736	178	167	-	59,5	60,5
CR(E) 15-3	465	800	465	800	198	120	-	54,0	55,0	465	800	465	800	198	177	-	63,0	64,0
CR 15-4	510	882	510	882	220	134	-	66,0	66,0	-	-	-	-	-	-	-	-	-
CR(E) 15-5	555	927	555	927	220	134	-	67,0	68,0	555	927	555	927	220	188	-	78,3	79,3
CR 15-6	632	1023	632	1023	220	134	300	89,0	90,0	-	-	-	-	-	-	-	-	-
CR(E) 15-7	677	1068	677	1068	220	134	300	91,0	92,0	677	1068	677	1068	220	188	298	103,9	104,9
CR 15-8	-	-	722	1113	220	134	300	-	95,0	-	-	-	-	-	-	-	-	-
CR(E) 15-9	-	-	767	1158	220	134	300	-	97,0	-	-	767	1158	220	188	298	-	108,7
CR 15-10	-	-	889	1353	260	172	352	-	129,0	-	-	-	-	-	-	-	-	-
CR 15-12	-	-	979	1443	260	172	352	-	130,0	-	-	-	-	-	-	-	-	-
CR(E) 15-14	-	-	1069	1533	260	172	352	-	136,0	-	-	1069	1518	258	359	350	-	188,0
CR(E) 15-17	-	-	1204	1682	306	197	352	-	155,0	-	-	1204	1665	313	377	350	-	190,5



## GRUNDFOS CENTRIFUGALPUMPER

## CR20

Type	Motor		Ydelse m <sup>3</sup> /t									Varenr.
			14	16	18	20	22	24	26	28	29	
	HK	KW	Løftehøjde m.v.s.									
CR20 – 1	1,5	1,1	12	12	11	10	9	8	7	6	5	38 5905 310
CR20 – 2	3,0	2,2	26	25	24	23	21	19	17	15	13	38 5905 320
CR20 – 3	5,5	4,0	41	39	37	36	33	30	27	24	22	38 5905 330
CR20 – 4	7,5	5,5	55	53	51	48	45	41	37	32	30	38 5905 340
CR20 – 5	7,5	5,5	67	66	63	59	56	51	46	39	36	38 5905 350
CR20 – 6	10,0	7,5	82	80	77	73	68	62	56	49	45	38 5905 360
CR20 – 7	10,0	7,5	95	92	88	85	79	73	66	57	52	38 5905 370
CR20 – 8	15,0	11,0	111	108	103	98	92	85	76	67	62	38 5905 380
CR20 – 10	15,0	11,0	137	133	127	121	114	105	95	84	77	38 5905 100
CR20 – 12	20,0	15,0	166	160	155	147	138	127	115	100	95	38 5905 120
CR20 – 14	20,0	15,0	192	186	179	170	160	148	134	117	107	38 5905 140
CR20 – 17	25,0	18,5	236	229	220	209	196	180	165	145	133	38 5905 170

Modflanger. Bestilles separat.	Type	Tilslutn. Mål	Nom. Tryk
	DIN 2566	Rp 2	16 bar
	Specialflange	Rp 2½	16 bar
	DIN 2634	DN 50	25 bar

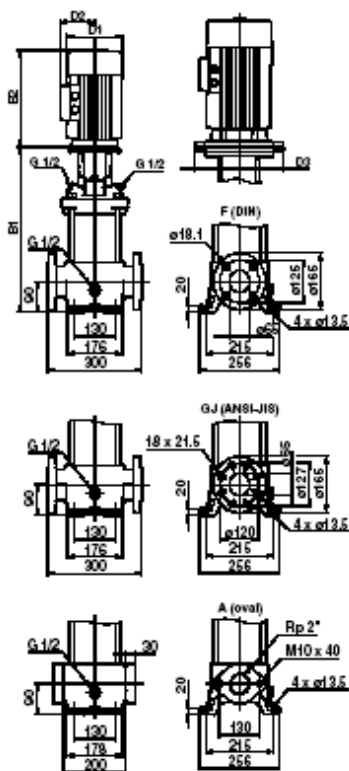


## TEKNISKE DATA

## CR20

### Målskitser og elektriske data

3 x 380-415 V, 50 Hz



Pumpetype	Motor P <sub>2</sub> [kW]	CR				CRE
		I <sub>1/1</sub> [A]	Cos φ <sub>1/1</sub>	η [%]	$\frac{I_{start}}{I_{1/1}}$	I <sub>1/1</sub> [A]
CR(E) 20-1*	1,1	2,65	0,87-0,79	81,0-81,0	5,2-5,7	7,4-6,8
CR(E) 20-2	2,2	4,75	0,87-0,82	84,0-84,0	7,0-7,6	4,6-3,8
CR(E) 20-3	4,0	8,00	0,90-0,87	87,0-87,0	8,7-9,5	8,1-6,6
CR 20-4	5,5	11,0	0,89-0,86	87,5-87,5	8,9-9,7	-
CR(E) 20-5	5,5	11,0	0,89-0,86	87,5-87,5	8,9-9,7	11,0-8,8
CR 20-6	7,5	15,2	0,87-0,81	88,0-88,0	9,1-9,9	-
CR(E) 20-7	7,5	15,2	0,87-0,81	88,0-88,0	9,1-9,9	15,0-12,0
CR 20-8	11,0	21,5	0,91-0,87	90,0-90,0	7,3-8,0	-
CR(E) 20-10	11,0	21,5	0,91-0,87	90,0-90,0	7,3-8,0	21,3
CR 20-12	15,0	28,7	0,87	90,0	6,0	-
CR(E) 20-14	15,0	28,7	0,87	90,0	6,0	28,1
CR(E) 20-17	18,5	35,9-34,1	0,86	91,0	7,2	34,2

TM026576 J008

\* CRE pumpe er forsynet med énfaset motor (1 x 220-240 V)

### Mål og vægt

Pumpetype	CR									CRE										
	Mål [mm]			Mål [mm]			Mål [mm]			Mål [mm]			Mål [mm]			Nettovægt [kg]				
	Oval flange	DIN-flange	Nettovægt [kg]	Oval flange	DIN-flange	Nettovægt [kg]	Oval flange	DIN-flange	Nettovægt [kg]	Oval flange	DIN-flange	Nettovægt [kg]	Oval flange	DIN-flange	Nettovægt [kg]					
B1	B1+B2	B1	B1+B2	D1	D2	D3	B1	B1+B2	B1	B1+B2	D1	D2	D3	B1	B1+B2	D1	D2	D3	Oval flange	DIN-flange
CR(E) 20-1	400	631	400	631	141	109	-	40,0	41,0	400	681	400	681	178	167	-	36,9	37,9		
CR(E) 20-2	415	696	415	696	178	110	-	49,0	50,0	415	736	415	736	178	167	-	65,8	66,8		
CR(E) 20-3	465	837	465	837	220	134	-	64,0	65,0	465	837	465	837	220	188	-	75,3	76,3		
CR 20-4	542	933	542	933	220	134	300	87,0	87,0	-	-	-	-	-	-	-	-	-	-	-
CR(E) 20-5	587	978	587	978	220	134	300	88,0	89,0	587	978	587	978	220	188	298	100,9	101,9		
CR 20-6	632	1023	632	1023	220	134	300	92,0	93,0	-	-	-	-	-	-	-	-	-	-	-
CR(E) 20-7	677	1068	677	1068	220	134	300	93,0	94,0	677	1068	677	1068	220	188	298	104,7	105,7		
CR 20-8	-	-	799	1263	260	172	352	-	126,0	-	-	-	-	-	-	-	-	-	-	-
CR(E) 20-10	-	-	889	1353	260	172	352	-	129,0	-	-	889	1338	258	359	350	-	-	-	181,0
CR 20-12	-	-	979	1457	306	197	352	-	147,0	-	-	-	-	-	-	-	-	-	-	-
CR(E) 20-14	-	-	1069	1547	306	197	352	-	150,0	-	-	1069	1530	313	377	350	-	-	-	185,5
CR(E) 20-17	-	-	1204	1682	306	197	352	-	165,0	-	-	1204	1703	313	377	350	-	-	-	226,0

## GRUNDFOS CENTRIFUGALPUMPER

## CR32

Type	Motor		Ydelse m <sup>3</sup> /t							Varenr.
			16	20	24	28	32	36	40	
	HK	KW	Løftehøjde m.v.s.							
CR 32-1-1	2,0	1,5	14	13	12	11	9	7	4	38 5906 011
CR 32-1	3,0	2,2	18	17	16	14	12	10	9	38 5906 010
CR 32-2-2	4,0	3,0	31	30	27	24	21	17	12	38 5906 022
CR 32-2	5,5	4,0	38	35	32	31	29	25	20	38 5906 020
CR 32-3	7,5	5,5	55	52	50	46	41	36	30	38 5906 030
CR 32-4	10,0	7,5	73	70	65	62	56	49	40	38 5906 040
CR 32-6	15,0	11,0	111	108	101	95	86	74	61	38 5906 060
CR 32-8	20,0	15,0	150	145	136	127	115	100	82	38 5906 080

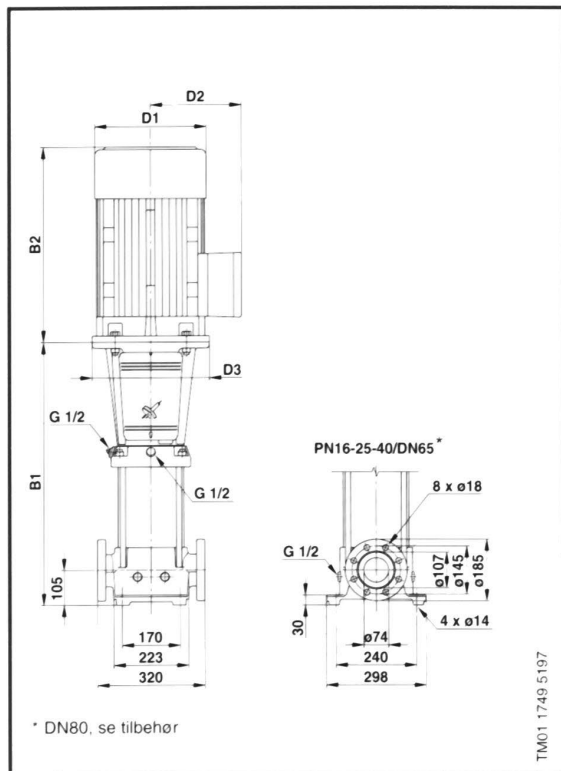
Modflanger bestilles separat	Type	Tilslutn. Mål	Nom. Tryk
	DIN 2566	Rp 2½	16 bar
	DIN 2566	Rp 3	16 bar
	DIN 2633	DN 65	16 bar
	DIN 2633	DN 65	16 bar
	DIN 2635	DN 65	40 bar



## TEKNISKE DATA

## CR32

### Målskitser



### Mål og vægt

Pumpetype	Mål [mm]						Nettovægt [kg]
	B1	B2	B1 + B2	D1	D2	D3	
CR 32-1-1	505	281	786	178	110	135	70
CR 32-1	505	281	786	178	110	135	79
CR 32-2-2	575	335	910	178	110	143	89
CR 32-2	575	372	947	220	134	158	98
CR 32-3-2	645	391	1036	220	134	298	107
CR 32-3	645	391	1036	220	134	298	107
CR 32-4-2	715	391	1106	220	134	298	115
CR 32-4	715	391	1106	220	134	298	115
CR 32-5-2	895	464	1359	260	172	350	156
CR 32-5	895	464	1359	260	172	350	156
CR 32-6-2	965	464	1429	260	172	350	160
CR 32-6	965	464	1429	260	172	350	160
CR 32-7-2	1035	478	1513	306	197	350	197
CR 32-7	1035	478	1513	306	197	350	197
CR 32-8-2	1105	478	1583	306	197	350	201
CR 32-8	1105	478	1583	306	197	350	201
CR 32-9-2	1175	478	1653	306	197	350	215
CR 32-9	1175	478	1653	306	197	350	215
CR 32-10-2	1245	478	1723	306	197	350	219
CR 32-10	1245	478	1723	306	197	350	219
CR 32-11-2	1315	600	1915	364	269	350	276
CR 32-11	1315	600	1915	364	269	350	276
CR 32-12-2	1385	600	1985	364	269	350	280
CR 32-12	1385	600	1985	364	269	350	280
CR 32-13-2	1455	667	2122	404	306	400	362
CR 32-13	1455	667	2122	404	306	400	362
CR 32-14-2	1525	667	2192	404	306	400	366
CR 32-14	1525	667	2192	404	306	400	366

### Elektriske data

3 x 220-240/380-415 V, 50 Hz

Pumpetype	Motor [kW]	Fuldlaststrøm I <sub>1/1</sub> [A]*	Effektfaktor Cos φ <sub>1/1</sub>	Motorvirkningsgrad η[%]	I <sub>start</sub> / I <sub>1/1</sub>
CR 32-1-1	1,5	5,90/3,40	0,85-0,79	82,0	6,3-6,9
CR 32-1	2,2	8,25/4,75	0,87-0,82	84,0	7,0-7,6
CR 32-2-2	3,0	10,8/6,25	0,88-0,82	86,0	7,8-8,5
CR 32-2	4,0	13,8/8,00	0,90-0,87	87,0	8,7-9,5
CR 32-3-2	5,5	19,0/11,0	0,89-0,86	88,5	8,9-9,7
CR 32-3	5,5	19,0/11,0	0,89-0,86	88,5	8,9-9,7
CR 32-4-2	7,5	26,5/15,2	0,87-0,81	89,0	9,1-9,9
CR 32-4	7,5	26,5/15,2	0,87-0,81	89,0	9,1-9,9
CR 32-5-2	11	37,0/21,5	0,91-0,87	85,0	7,3-8,0
CR 32-5	11	37,0/21,5	0,91-0,87	85,0	7,3-8,0
CR 32-6-2	11	37,0/21,5	0,91-0,87	85,0	7,3-8,0
CR 32-6	11	37,0/21,5	0,91-0,87	85,0	7,3-8,0
CR 32-7-2	15	49,7/28,7	0,87	86,0	6,0
CR 32-7	15	49,7/28,7	0,87	86,0	6,0
CR 32-8-2	15	49,7/28,7	0,87	86,0	6,0
CR 32-8	15	49,7/28,7	0,87	86,0	6,0
CR 32-9-2	18,5	62,2/35,9	0,86	87,0	7,2
CR 32-9	18,5	62,2/35,9	0,86	87,0	7,2
CR 32-10-2	18,5	62,2/35,9	0,86	87,0	7,2
CR 32-10	18,5	62,2/35,9	0,86	87,0	7,2
CR 32-11-2	22	73,0/42,0	0,86	89,2	7,3
CR 32-11	22	73,0/42,0	0,86	89,2	7,3
CR 32-12-2	22	73,0/42,0	0,86	89,2	7,3
CR 32-12	22	73,0/42,0	0,86	89,2	7,3
CR 32-13-2	30	97,0/56,0	0,88	91,7	7,5
CR 32-13	30	97,0/56,0	0,88	91,7	7,5
CR 32-14-2	30	97,0/56,0	0,88	91,7	7,5
CR 32-14	30	97,0/56,0	0,88	91,7	7,5

\* Strømme opgives som maks. værdier for hhv. 3 x 220-240 V og 3 x 380-415 V

## GRUNDFOS CENTRIFUGALPUMPER

## CR45

Type	Motor		Ydelse m <sup>3</sup> /t							Varenr.
			25	30	35	40	45	50	55	
	HK	KW	Løftehøjde m.v.s.							
CR 45-1-1	4,0	3,0	20	19	18	17	17	16	15	38 5907 011
CR 45-1	5,5	4,0	24	23	22	21	19	18	17	38 5907 010
CR 45-2-2	7,5	5,5	40	39	38	34	30	27	21	38 5907 022
CR 45-2	10,0	7,5	49	48	45	42	39	35	30	38 5907 020
CR 45-3	15,0	11,0	72	70	68	64	59	54	48	38 5907 030
CR 45-4	20,0	15,0	98	95	90	86	80	72	64	38 5907 040
CR 45-5	25,0	18,5	124	120	115	108	100	90	80	38 5907 050
CR 45-6	30,0	22,0	149	144	138	130	120	110	98	38 5907 060
CR 45-7	40,0	30,0	175	170	162	154	144	131	118	38 5907 070
CR 45-9-2	40,0	30,0	217	210	201	190	175	159	140	38 5907 092
CR 45-10	50,0	37,0	250	242	232	220	205	187	166	38 5907 100

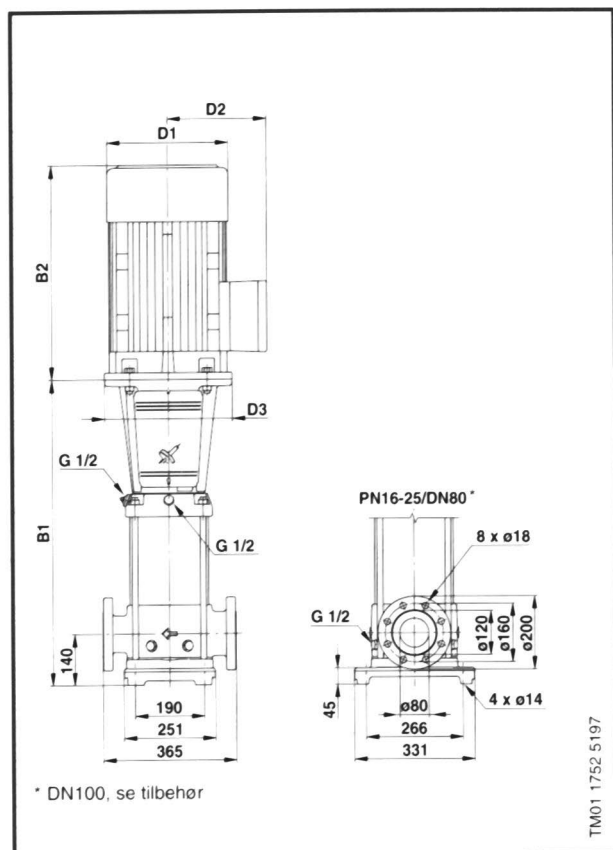
Modflanger bestilles separat	Type	Tilslutn. Mål	Nom. Tryk
	DIN 2566	Rp 3	16 bar
	DIN 2633	DN 80	16 bar
	DIN 2635	DN 80	25/40 bar



## TEKNISKE DATA

## CR45

### Målskitser



### Mål og vægt

Pumpetype	Mål [mm]						Netto-vægt [kg]
	B1	B2	B1 + B2	D1	D2	D3	
CRN 45-1-1	558	335	893	178	110	135	94
CRN 45-1	558	372	930	220	134	158	103
CRN 45-2-2	638	391	1029	220	134	298	112
CRN 45-2	638	377	1015	220	148	300	117
CRN 45-3-2	828	464	1292	260	172	350	158
CRN 45-3	828	464	1292	260	172	350	158
CRN 45-4-2	908	478	1386	306	197	350	196
CRN 45-4	908	478	1386	306	197	350	196
CRN 45-5-2	988	478	1466	306	197	350	209
CRN 45-5	988	478	1466	306	197	350	209
CRN 45-6-2	1068	600	1668	364	269	350	266
CRN 45-6	1068	600	1668	364	269	350	266
CRN 45-7-2	1148	667	1815	404	306	400	349
CRN 45-7	1148	667	1815	404	306	400	349
CRN 45-8-2	1228	667	1895	404	306	400	353
CRN 45-8	1228	667	1895	404	306	400	353
CRN 45-9-2	1308	667	1975	404	306	400	358
CRN 45-9	1308	667	1975	404	306	400	358
CRN 45-10-2	1388	667	2055	404	306	400	382
CRN 45-10	1388	667	2055	404	306	400	382

### Elektriske data

3 x 220-240/380-415 V, 50 Hz

Pumpetype	Motor [kW]	Fuldlaststrøm I <sub>1/1</sub> [A] ★	Effektfaktor Cos φ <sub>1/1</sub>	Motorvirkningsgrad η [%]	I <sub>start</sub> I <sub>1/1</sub>
CRN 45-1-1	3,0	10,8/6,25	0,88-0,82	86,0	7,8-8,5
CRN 45-1	4,0	13,8/8,00	0,90-0,87	87,0	8,7-9,5
CRN 45-2-2	5,5	19,0/11,0	0,89-0,86	88,5	8,9-9,7
CRN 45-2	7,5	26,5/15,2	0,87-0,81	89,0	9,1-9,9
CRN 45-3-2	11	37,0/21,5	0,91-0,87	85,0	7,3-8,0
CRN 45-3	11	37,0/21,5	0,91-0,87	85,0	7,3-8,0
CRN 45-4-2	15	49,7/28,7	0,87	86,0	6,0
CRN 45-4	15	49,7/28,7	0,87	86,0	6,0
CRN 45-5-2	18,5	62,2/35,9	0,86	87,0	7,2
CRN 45-5	18,5	62,2/35,9	0,86	87,0	7,2
CRN 45-6-2	22	73,0/42,0	0,86	89,2	7,3
CRN 45-6	22	73,0/42,0	0,86	89,2	7,3
CRN 45-7-2	30	97,0/56,0	0,88	91,7	7,5
CRN 45-7	30	97,0/56,0	0,88	91,7	7,5
CRN 45-8-2	30	97,0/56,0	0,88	91,7	7,5
CRN 45-8	30	97,0/56,0	0,88	91,7	7,5
CRN 45-9-2	30	97,0/56,0	0,88	91,7	7,5
CRN 45-9	37	118/68,0	0,89	92,4	7,8
CRN 45-10-2	37	118/68,0	0,89	92,4	7,8
CRN 45-10	37	118/68,0	0,89	92,4	7,8

★ Strømme opgives som maks. værdier for hhv. 3 x 220-240 V og 3 x 380-415 V

## GRUNDFOS CENTRIFUGALPUMPER

## CR64

Type	Motor		Ydelse m <sup>3</sup> /t						Varenr.
			30	40	50	60	70	80	
	HK	KW	Løftehøjde m.v.s.						
CR 64-1-1	5,5	4,0	20	19	18	15	12	8	38 5908 011
CR 64-1	7,5	5,5	28	25	23	21	19	17	38 5908 010
CR 64-2-2	10,0	7,5	40	38	36	31	26	19	38 5908 022
CR 64-2	15,0	11,0	55	52	49	46	41	36	38 5908 020
CR 64-3-1	20,0	15,0	75	72	68	62	55	48	38 5908 031
CR 64-4-2	25,0	18,5	96	92	87	79	70	59	38 5908 042
CR 64-4	30,0	22,0	111	107	101	95	86	75	38 5908 040
CR 64-6-2	40,0	30,0	153	148	140	129	115	99	38 5908 062
CR 64-7-1	50,0	37,0	190	183	173	160	145	127	38 5908 071

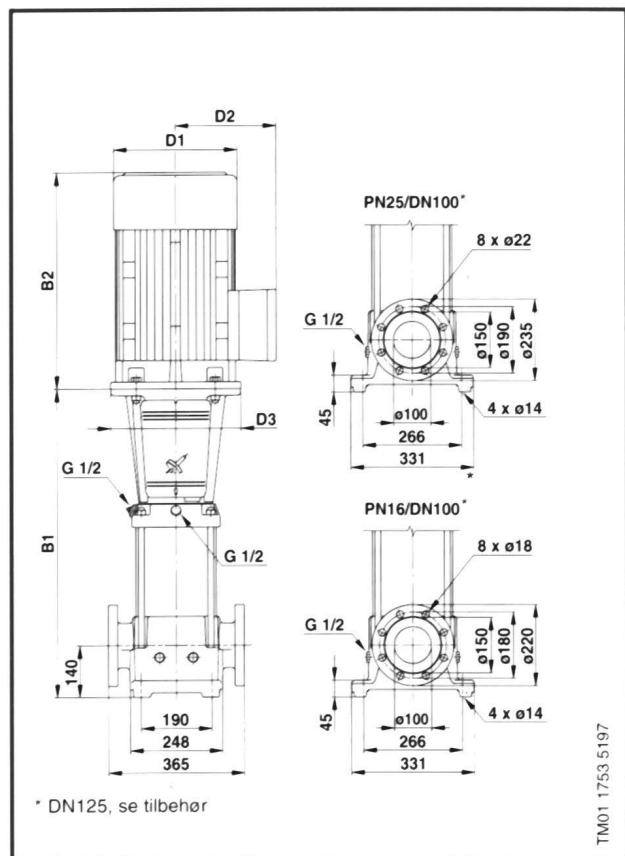
Modflanger bestilles separat	Type	Tilslutn. Mål	Nom. Tryk
	DIN 2566	Rp 4	16 bar
	DIN 2633	DN 100	16 bar
	DIN 2635	DN 100	25 bar



## TEKNISKE DATA

## CR64

### Målskitser



### Mål og vægt

Pumpetype	Mål [mm]						Nettovægt [kg]
	B1	B2	B1 + B2	D1	D2	D3	
CR 64-1-1	561	372	933	220	134	158	107
CR 64-1	561	391	952	220	134	298	112
CR 64-2-2	644	391	1035	220	134	298	121
CR 64-2-1	754	464	1218	260	172	350	158
CR 64-2	754	464	1218	260	172	350	158
CR 64-3-2	836	478	1314	306	197	350	196
CR 64-3-1	836	478	1314	306	197	350	196
CR 64-3	836	478	1314	306	197	350	205
CR 64-4-2	919	478	1397	306	197	350	209
CR 64-4-1	919	600	1519	364	269	350	262
CR 64-4	919	600	1519	364	269	350	262
CR 64-5-2	1001	667	1668	404	306	400	345
CR 64-5-1	1001	667	1668	404	306	400	345
CR 64-5	1001	667	1668	404	306	400	345
CR 64-6-2	1084	667	1751	404	306	400	350
CR 64-6-1	1084	667	1751	404	306	400	370
CR 64-6	1084	667	1751	404	306	400	370
CR 64-7-2	1166	667	1833	404	306	400	374
CR 64-7-1	1166	667	1833	404	306	400	374

### Elektriske data




3 x 220-240/380-415 V, 50 Hz

Pumpetype	Motor [kW]	Fuldlaststrøm $I_{1/1}$ [A] *	Effektfaktor $\cos \varphi_{1/1}$	Motorvirkningsgrad $\eta$ [%]	$\frac{I_{start}}{I_{1/1}}$
CR 64-1-1	4,0	13,8/8,00	0,90-0,87	87,0	8,7-9,5
CR 64-1	5,5	19,0/11,0	0,89-0,86	88,5	8,9-9,7
CR 64-2-2	7,5	26,5/15,2	0,87-0,81	89,0	9,1-9,9
CR 64-2-1	11	37,0/21,5	0,91-0,87	85,0	7,3-8,0
CR 64-2	11	37,0/21,5	0,91-0,87	85,0	7,3-8,0
CR 64-3-2	15	49,7/28,7	0,87	86,0	6,0
CR 64-3-1	15	49,7/28,7	0,87	86,0	6,0
CR 64-3	18,5	62,2/35,9	0,86	87,0	7,2
CR 64-4-2	18,5	62,2/35,9	0,86	87,0	7,2
CR 64-4-1	22	73,0/42,0	0,86	89,2	7,3
CR 64-4	22	73,0/42,0	0,86	89,2	7,3
CR 64-5-2	30	97,0/56,0	0,88	91,7	7,5
CR 64-5-1	30	97,0/56,0	0,88	91,7	7,5
CR 64-5	30	97,0/56,0	0,88	91,7	7,5
CR 64-6-2	30	97,0/56,0	0,88	91,7	7,5
CR 64-6-1	37	118/68,0	0,89	92,4	7,8
CR 64-6	37	118/68,0	0,89	92,4	7,8
CR 64-7-2	37	118/68,0	0,89	92,4	7,8
CR 64-7-1	37	118/68,0	0,89	92,4	7,8

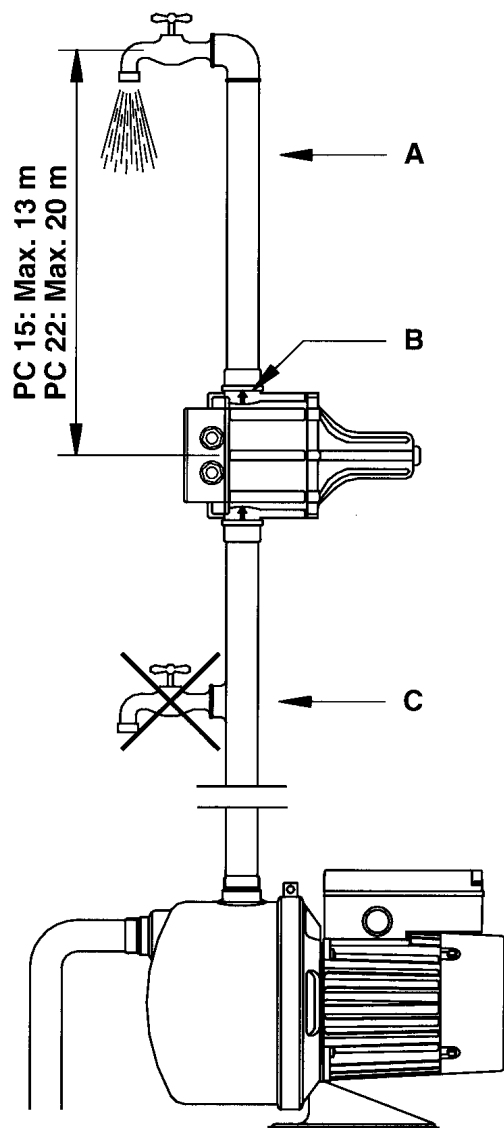
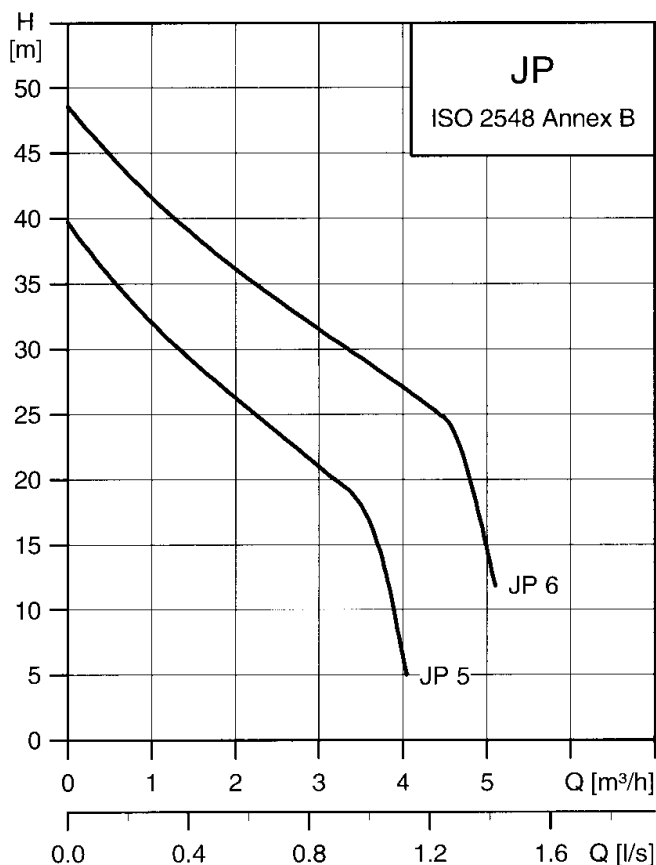
\* Strømme opgives som maks. værdier for hhv. 3 x 220-240 V og 3 x 380-415 V



## GRUNDFOS JETPUMPER

		Ydelse m3/t							Løftehøjde m.v.s.		Varenr.		
		Motor		0,5	1	2	3	4	5				
		HK	KW	46	43	38	34	29	25				
		<b>JP5-48 I RUSTFRIT STÅL</b>											
		Anvendelse: Vandforsyning, Trykforøgning, Væsketransport, Sprinkler systemer, Tømning. Tilslutning 1"											
				Ydelse m3/t							Løftehøjde m.v.s.		
		HK	KW	46	43	38	34	29	25				
		Type:		Volt		Amp.							
		JP5-48 pumpe alene		1X230		3,6						38 5534 050	
		JP5-48 pumpe m/Prescontr		1x230		3,6						38 5534 150	
		JP5-48 m/tank & automatik		1x230		3,6						38 5534 250	
		<b>PRESCONTROL</b>											
		Styringsenhed med indb. tryk- og flowswitch. For aut. Drift af pumper med starttryk på 1,5 til 5 bar som er justerbart.											
		Prescontrol PM2 max 10 Amp.										38 5549 232	
		Flowswitch sikrer pumpen mod tørkørsel.											

## TEKNISKE DATA





### Elektriske data

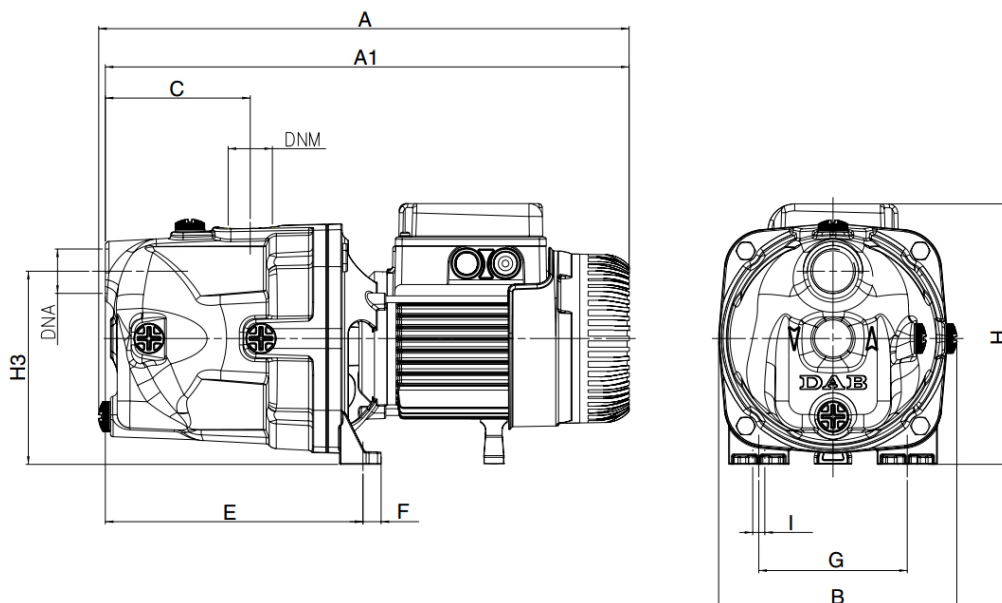
JP 5, 50 Hz	P <sub>1</sub> [W]	n [min <sup>-1</sup> ]	Cos φ	I <sub>n</sub> [A]	$\frac{I_{st}}{I_n}$
1 x 220 - 230 V	775	2650	0,99	3,7	3,5
3 x 220 - 240 V	780	2830	0,87	2,4	2,9
3 x 380 - 415 V	780	2830	0,87	1,4	5,0

JP 6, 50 Hz	P <sub>1</sub> [W]	n [min <sup>-1</sup> ]	Cos φ	I <sub>n</sub> [A]	$\frac{I_{st}}{I_n}$
1 x 220 - 230 V	1350	2800	0,90	6,2	4,2
3 x 220 - 240 V	1325	2850	0,81	4,1	3,9
3 x 380 - 415 V	1325	2850	0,81	2,4	6,8

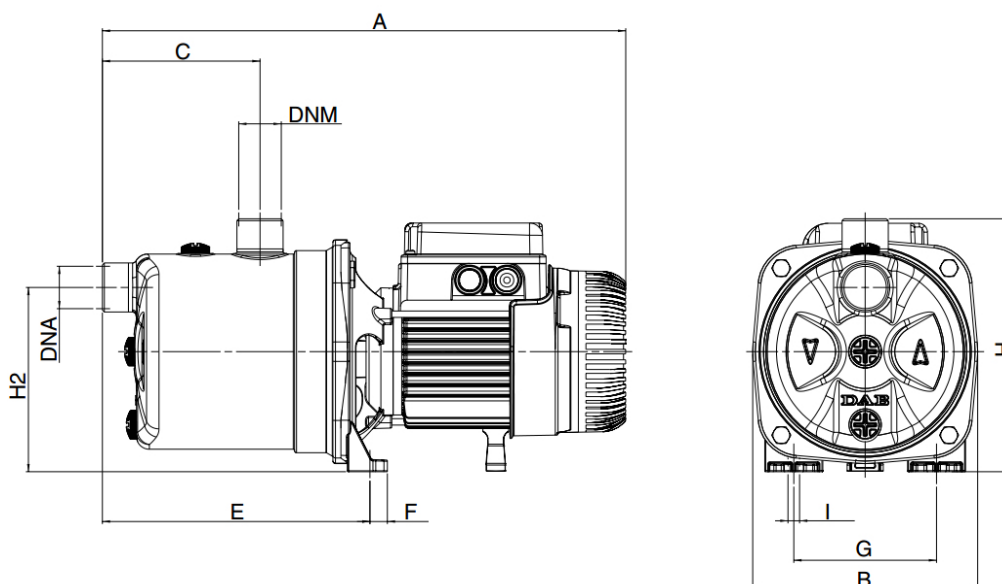
## DAB HUS OG HAVEPUMPER

JETPUMPER I STØBEJERN											Varenr.		
	Motor		Ydelse m3/t										
			0,6	1,2	1,8	2,4	3,0	3,6	4,2	4,8			
	HK	KW	Tryk m.v.s.										
	0,80	0,6	40	34	30	26	23	20					
	1,36	1,0	46	43	40	37	35	32	30	27			
	Type:		HK	Volt		Amp.							
Aquajet 82 M-G		0,80	230		3,8						50 1310 100		
Aquajet 132 M-G		1,36	230		6,6						50 1310 160		
<b>Incl. 20 ltr. Tank og trykafbryder.</b>													
JETPUMPER I RUSTFRIT STÅL													
	Motor		Ydelse m3/t										
			0,6	1,2	1,8	2,4	3,0	3,6	4,2	4,8			
	HK	Type	Tryk m.v.s.										
	1,36	112	54	47	42	39	35	20					
	1,36	132	46	43	40	37	35	32	30	27			
	Type:		HK		Volt		Amp.						
Aquajet INOX 132 M		1,36		230		6,6						50 1315 140	
<b>Incl. 20 ltr. Tank og trykafbryder.</b>													
PUMPER ALENE:													
	Type:		HK		Volt		Amp.						
	Jet INOX 112 M		1,36		230		6,6					50 1315 620	
	Jet INOX 132 M		1,36		230		6,6					50 1315 640	
	Jet INOX 132 T		1,36		400		2,7					50 1315 641	



## TEKNISKE DATA



Model	A	A1	B	C	E	F	G	H	H1	H3	IØ	DNA GAS	DNM GAS	L/A	L/B	H	Vægt
Jet 82	395	395	178	108	192	14	111	193	-	144	9	1"	1"	470	240	240	10,5
Jet 132	414	409	263	108	192	14	111	203	-	144	9	1"	1"	470	240	240	13,5



Model	A	B	C	E	F	G	H	H1	H2	IØ	DNA GAS	DNM GAS	L/A	L/B	H	Vægt
Jet Inox 112	424	174	122	207	14	111	197		144	9	1"	1"	470	240	240	10,6
Jet Inox 132	424	174	122	207	14	111	197		144	9	1"	1"	470	240	240	10,6

DAB 4" DYKPUMPER												3 X 400V		
Type	Motor		Ydelse m <sup>3</sup> /t										Varenr.	
			1,2	1,5	1,8	2,4	3,0	4,2	5,4	8,4	9,6	10,8		
	HK	KW	Løftehøjde m.v.s.											
S4 3/13T	1,0	0,75	68	66	64	57	50	29					50 1316 410	
S4 4/14T	1,5	1,10			87	82	76	61	39				50 1316 415	
S4 8/15T	3,0	2,20						83	81	62	48	33	50 1316 430	
 <p><b>GUMMIKABEL, 4-LEDER</b>            Kvalitet: H07-RNF            Monteret m. krympesamling            Størrelse:</p>														
1,5 mm <sup>2</sup> x 10 mtr.												50 1316 910		
1,5 mm <sup>2</sup> x 20 mtr.												50 1316 920		
1,5 mm <sup>2</sup> x 30 mtr.												50 1316 930		
<b>Tekniske Data:</b>														
Type	Str.	Effekt	Sikring	Vægt										
S4 3/13T	1¼"	0,75 kw	In = 2,4 Amp	14,5										
S4 4/13T	1¼"	1,10 kw	In = 3,4 Amp	15,8										
S4 8/15T	2"	2,20 kw	In = 5,9 Amp	20,9										
														



## SEALAND HUS OG HAVEPUMPER

### JETPUMPER I STØBEJERN

Membrantank - malet.  
 Alle 3-fasede motorer er IE3.

Motor		Ydelse m3/t					
		0,6	1,2	1,8	2,4	3,0	3,6
HK	KW	Løftehøjde m.v.s.					
1,0	0,74	43	38	33	29	25	23
1,2	0,88	48	43	38	33	29	24

Motor		Ydelse m3/t					
		1,2	3	6	7,2	8,4	9,6
HK	KW	Løftehøjde m.v.s.					
2,0	1,50	49	43	33	29	27	23



Type:	Volt	Amp.	Varenr.
1,0 HK m/tank & automatik	230	4,8	50 1320 100
1,2 HK m/tank & automatik	230	5,1	50 1320 120
1,2 HK m/tank & automatik	400	2,7	50 1320 220
2,0 HK m/tank & automatik	230	11,0	50 1320 140
2,0 HK m/tank & automatik	400	3,6	50 1320 240

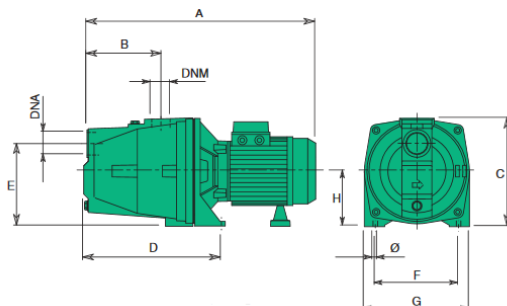


Type:	Volt	Amp.	Varenr.
1,0 HK pumpe alene	230	4,8	50 1320 600
1,2 HK pumpe alene	230	5,1	50 1320 620
1,2 HK pumpe alene	400	2,7	50 1320 720
2,0 HK pumpe alene	230	11,0	50 1320 640
2,0 HK pumpe alene	400	3,6	50 1320 740



Type:	Volt	Amp.	Varenr.
1,2 HK m/presscontrol	230	5,1	50 1320 420
2,0 HK m/presscontrol	230	11,0	50 1320 440

## TEKNISKE DATA



TYPE	DIMENSIONS [mm]											PACKING [mm]			WEIGHT [kg]
	A	B	C	D	E	F	G	Ø	H	DNA	DNM	A	L	P	
JET 61	380	110	195	195	155	140	180	9	95	1"	1"	250	190	440	11
JET 81	380	110	195	195	155	140	180	9	95	1"	1"	250	190	440	11,2
JET 82	420	122	210	225	160	140	180	9	95	1"	1"	250	190	440	13,4
JET 101	410	110	210	195	155	140	180	9	95	1"	1"	250	190	440	13,2
JET 102	420	122	210	225	160	140	180	9	95	1"	1"	250	190	440	14,4
JET 122	420	122	210	225	160	140	180	9	95	1"	1"	250	190	440	15,4
JET 124	420	122	210	225	160	140	180	9	95	1"	1"	250	190	440	15,4
JET 152	520	160	235	285	180	180	230	11	120	1" 1/2 G	1" 1/4 G	280	250	600	30,4
JET 202	520	160	235	285	180	180	230	11	120	1" 1/2 G	1" 1/4 G	280	250	600	32,4
JET 302 M	567	160	235	285	180	180	230	11	120	1" 1/2 G	1" 1/4 G	280	250	600	37
JET 302	567	160	235	285	180	180	230	11	120	1" 1/2 G	1" 1/4 G	280	250	600	32,4

### 50 Hz - min<sup>-1</sup> ~ 2900

TYPE		Nominal power		Input power [W]		Capacitor 450 V max	Input current [A]			Capacity							
Single-phase	Three-phase	kW	HP	a	b	[µF]	1~230V	3~230V	3~400V	Q [m <sup>3</sup> /h]	Q [l/1']]	Total head (m W.C.)					
a	b									H [m]							
JET 61 M	-	0,44	0,6	600	-	12,5	2,6	-	-	35,0	28,6	22,3	18,9	13,8	4,7		
JET 81 M	JET 81 T	0,59	0,8	660	610	14	3	2,2	1,4	37,2	30,6	24,6	20,6	16,0	6,6		
JET 82 M	-	0,59	0,8	820	-	14	3,7	-	-	45,0	38,0	31,0	26,0	20,0	10		
JET 101 M	JET 101 T	0,74	1	980	940	16	4,55	4,1	2,4	46,9	40,3	34,6	29,6	25,6	22,3	19,9	
JET 102 M	JET 102 T	0,74	1	1040	1050	20	4,8	4	2,3	49,5	43,4	37,9	33,0	28,9	25,4	22,6	
JET 122 M	JET 122 T	0,88	1,2	1130	1180	25	5,1	7,6	4,8	54,0	48,3	43,6	38,3	33,5	28,7	24,2	
JET 124 M	JET 124 T	0,88	1,2	1260	1280	25	5,7	5,5	3,2	49,7	46,0	42,4	39,0	35,7	32,5	29,4	

TYPE		Nominal power		Input power [W]		Capacitor 450 V max	Input current [A]			Capacity							
Single-phase	Three-phase	kW	HP	a	b	[µF]	1~230V	3~230V	3~400V	Q [m <sup>3</sup> /h]	Q [l/1']]	Total head (m W.C.)					
a	b									H [m]							
JET 152 M	JET 152 T	1,1	1,5	1890	1820	31,5	9	6	3,5	45,0	42,0	36,0	27,0	21,0	18		
JET 202 M	JET 202 T	1,5	2	2380	2190	40	11	7,3	4,2	54,0	49,5	43,0	33,0	29,5	27	23	
JET 302 M	JET 302 T	2,2	3,0	2670	2660	50	12,0	8,7	5	60,0	55,0	48,0	38,0	34,0	29,5	27,0	



## SMÅ SPECIAL PUMPER

### BK 2-TRINS CENTRIFUGALPUMER

NU MED IE3 Motorer.

Støbejernspumper med "back to back" bronze-  
løbehjul for aflastning af aksialkræfter, rustfri  
aksel og mekanisk akseltætning.  
For rene væsker uden slidende partikler.

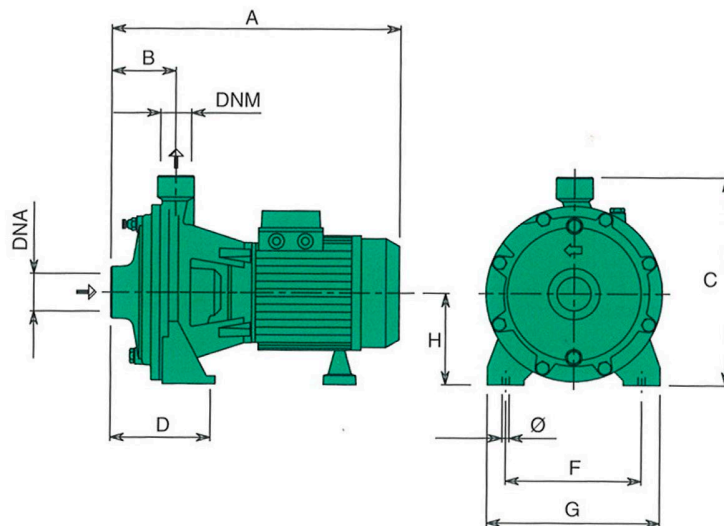


Motor	Ydelse m <sup>3</sup> /t							
	1,2	3,6	6,0	8,4	9,0	12,0	13,2	
HK / KW	Løftehøjde m.v.s.							
2,0 / 1,5	53	49	39	25	20			
3,0 / 2,2	60	55	46	33	30			
4,0 / 3,0	65	63	59	54	52	42	37	
5,5 / 4,0	79	78	75	69	63	56	50	

Type:	Volt	Amp.	
3,0 HK BK300T	400	5,2	50 1340 300
4,0 HK BK400T	400	9,0	50 1340 400
5,5 HK BK550T	400	10,5	50 1340 550

TEKNISKE DATA

SEA-LAND BASIC/BK



TIPO TYPE	DIMENSIONI [mm] DIMENSIONS [mm]										IMBALLO [mm] PACKING [mm]			PESO WEIGHT [kg]
	A	B	C	D	F	G	Ø	H	DNA	DNM	A	L	P	
BK 100	325	71	227	100	140	180	9	97	1" G	1" G	255	210	335	15,7
BK 150	395	88	284	131	185	235	9,5	125	1" 1/2G	1" G	325	265	430	26,5
BK 200	395	88	284	131	185	235	9,5	125	1" 1/2G	1" G	325	265	430	28,5
BK 300	440	88	284	131	185	235	9,5	125	1" 1/2G	1" G	290	275	470	32
BK 300 T	395	88	284	131	185	235	9,5	125	1" 1/2G	1" G	325	265	430	28,5
BK 400 M	490	103,5	312,5	160	220	270	9,5	140	2" G	1" 1/4 G	380	330	530	50
BK 400	490	103,5	312,5	160	220	270	9,5	140	2" G	1" 1/4 G	380	330	530	45
BK 550	490	103,5	312,5	160	220	270	9,5	140	2" G	1" 1/4 G	380	330	530	46,5
BK 750	496	103,5	357,5	160	240	300	13	160	2" G	1" 1/4 G	450	370	650	61

## SPERONI PUMPER

### SPERONI WX-A FRISTRØMSPUMPER

Anvendes til forurenede væsker med trevler og partikler. Pumpehus i Aisi 304, El-motor i aluminium IP55 - 2850 rpm, løbehjul og aksel i Aisi 304, mekanisk akseltætning SIC/SIC/VITON.

Motor	Ydelse m <sup>3</sup> /t									
	6	12	24	36	42	54	60	66	72	84
HK/KW	Løftehøjde m.v.s.									
1.5/1.1	10.5	9.5	7.5	5.5	4.5					
2.0/1.5	13	12	10	8	7	5				
3.0/2.2	15	14.5	12.5	10.5	9.5	7.5	6.5	5.5		
4.0/3.0	18	17.5	16	14	13	11	10	9	8	6

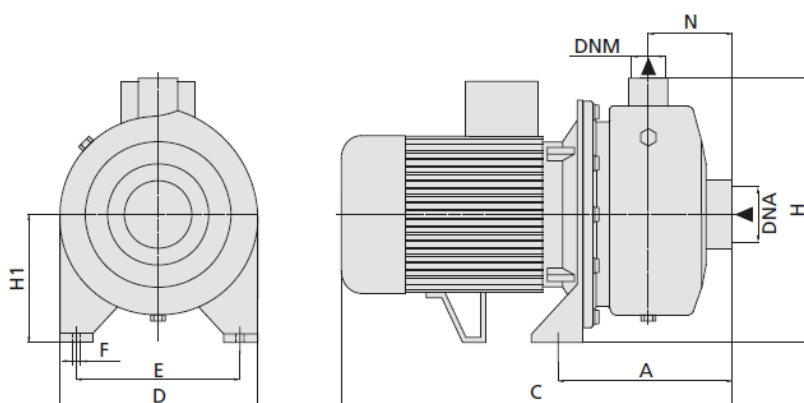
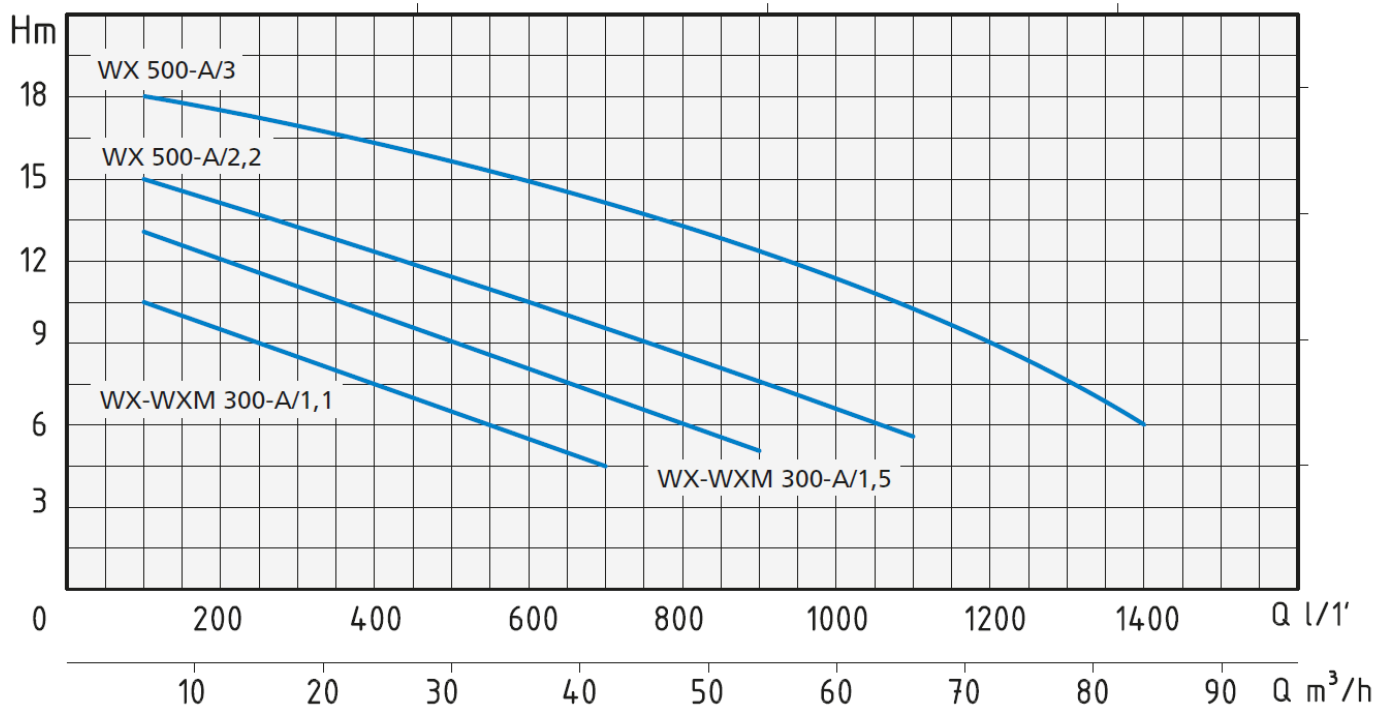
Type:	Volt	Amp.	Tilsl.	Varenr.
WXM300-A/1.1	1x230	6.8	2" / 2"	50 1335 010
WXM300-A/1.5	1x230	9.7	2" / 2"	50 1335 020
WX 300-A/1.1	3x400	3.0	2" / 2"	50 1335 030
WX 300-A/1.5	3x400	3.8	2" / 2"	50 1335 040
WX 500-A/2.2	3x400	5.0	2 1/2" - 2"	50 1335 050
WX 500-A/3.0	3x400	7.0	2 1/2" - 2"	50 1335 060



Varenr.

## TEKNISKE DATA

## SPERONI



TIPO TYPE		DIMENSIONI mm - DIMENSIONS mm										DIMENSIONI DIMENSIONS mm			PESO WEIGHT
Monofase Single-phase	Trifase Three-phase	A	C	D	E	F	H	H1	N	DNA	DNM	P	L	H	Kg
WXM 300-A/1,1	WX 300-A/1,1	170	382	193	160	11	258	125	82	2"	2"	210	400	300	16,5
WXM 300-A/1,5	WX 300-A/1,5	170	382	193	160	11	258	125	82	2"	2"	210	400	300	18
	WX 500-A/2,2	170	426	193	160	11	258	125	82	2"½	2"	210	450	300	22
	WX 500-A/3	170	426	193	160	11	258	125	82	2"½	2"	210	450	300	23

## SELVANSUGENDE PUMPER

### PACER PUMPER

Selvansugende Pacer pumper kan anvendes som transport/lænsepumpe for entreprenører, landbrug, industri, maskinstationer, fiskeri og bådfolk.

Løftehøjde op til 7,0 meter.

Pumpen kan fås med 2" eller 3" til-/afgang og er fremstillet i forstærket polyester.

Leveres med 3, 4 eller 5-vinget løbehjul. Se pumpe kurve på bagsiden.

#### Pumpekit, uden aksel



Type	Antal vinger	Løbehjul	Aksel-tætning	Metal AISI	Varenr.
2"	3	704	EPDM	316	50 1360 530
2"	5	706	EPDM	316	50 1360 550
3"	4	975	EPDM	316	50 1360 580

#### Med støbejerns lejebuk og rustfri aksel.



Type	Omdr.	Hjul	H max mVS	Q max m3/h	Varenr.
2"	2900	706	25	40	50 1360 050
3"	2900	975	18	49	50 1360 080

#### Med hydraulikmotor.

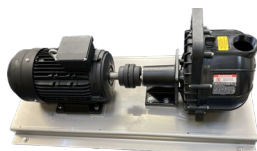


Type	Omdr.	Hjul	H max mVS	Q max m3/h	Varenr.
2"	3450	975	24	53	50 1360 250
3"	3450	975	26	64	50 1360 280

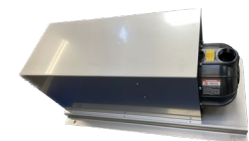
Nødv. Oliemængde: 35 l./min.

Nødv. Olietryk: 85 bar

#### Med Elmotor på rustfri bundramme og afskærmning.




Type	Omdr.	Hjul	H max mVS	Q max m3/h	Varenr.
2" - 3 kw	2900	706	25	40	50 1360 450
3" - 3 kw	2900	975	18	49	50 1360 480





## SELVANSUGENDE PUMPER

	<b>HONDA PUMPER</b>				Varenr.	
	Den velkendte kvalitetspumpe med original Honda benzinmotor opbygget i bæreramme.					
	Type	Str.	Ydelse l/min.	Effekt HK		
	WB 20XT	2"	600	3,5	50 1370 020	
	WB 30XT	3"	1100	4,5	50 1370 030	
WH 20XT	2"	500	4,8	50 1370 040		

## TEKNISKE DATA

### Ydelsestabel HONDA pumper





	0	6	12	18	24	30	36	42	48	54	60 m <sup>3</sup> /t	
WB 20XT	25	22	18	14	11	6	0					Løftehøjde mVs
WB 30XT	30	28	26	24	22	18	15	11	7	4	0	
WH 20X	50	45	41	35	23	0						

### Ydelsestabel PACER pumper

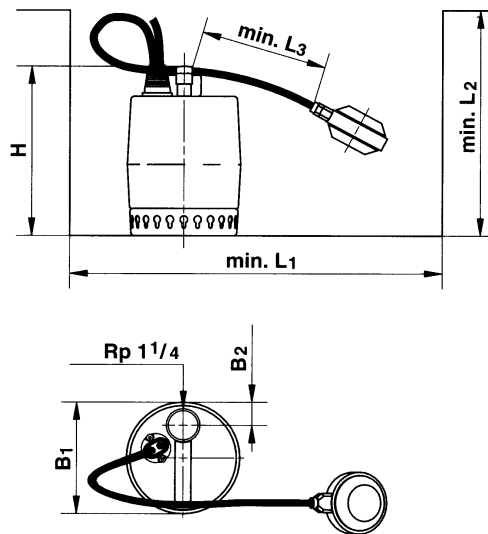
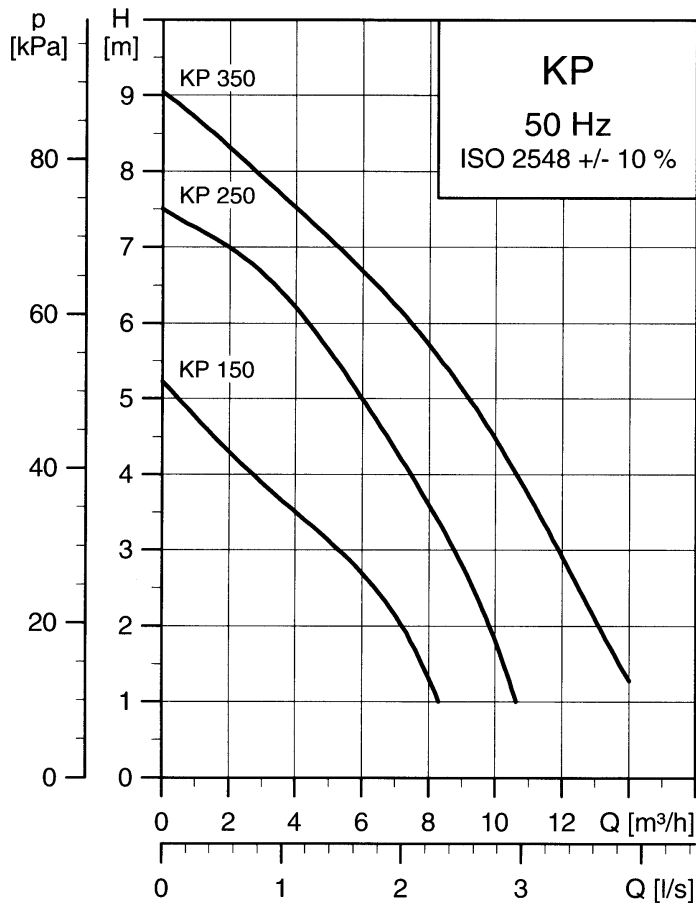
	4	8	12	16	20	24	28	32	36	40	44	48	52	56	60	64 m <sup>3</sup> /t	
2" (el)	25	24	22	21	20	19	16	13	10	5							Løftehøjde mVs
2" (hydraulik)	35	34	33	32	31	29	27	25	22	18	13	8					
3" (el)	18	17	16	15	14	13	12	11	10	9	8	6					
3" (hydraulik)	25	24	23	22	21	20	19	18	17	16	14	13	11	9	7	6	





GRUNDFOS UNILIFT				KP		
	<b>KP 150</b> <b>0,30 KW – Afgang 1¼"</b>			Varenr.		
	Anvendelse: Rent vand, Gråt spildevand, Regnvand, Grundvand (med Vert. Niv.afbr. kun til rent vand) Temperatur: Op til 50° C					
	Amp.	Volt	Kabel mtr.			Niv.afbr.
	2,6	1x230	10			Uden
	2,6	1x230	5			Med
2,6	1x230	10	Med			
2,6	1x230	10	Vert.			
	<b>KP 250</b> <b>0,48 KW – Afgang 1¼"</b>					
	Amp.	Volt	Kabel mtr.			Niv.afbr.
	5,0	1x230	10			Uden
	5,0	1x230	5			Med
	5,0	1x230	10			Med
5,0	1x230	10	Vert.			
	<b>KP 350</b> <b>0,70 KW – Afgang 1¼"</b>					
	Amp.	Volt	Kabel mtr.			Niv.afbr.
	6,9	1x230	10			Uden
	6,9	1x230	5			Med
	6,9	1x230	10			Med
	6,9	1x230	10			Vert.
	3,8	3x400	10			Uden
	<b>TILBEHØR FOR KP-PUMPER</b>					
	Gummikontraktap for afg. Studs 1¼"					
	Motorkabel m/niv.afbr. og stik KP A-1, 10 mtr.					
	Motorkabel m/stik KP M-1 faset, 10 mtr.					
	Motorkabel m/stik KP M-3 faset, 10 mtr.					
	LLC 1000W Elektrode Niveaustyring 300mm					
	LLC 1000W Elektrode Niveaustyring 1000mm					



## YDELSESTABELLER



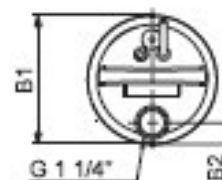
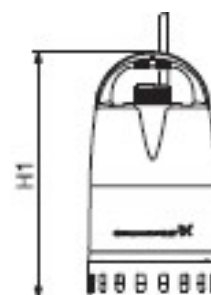
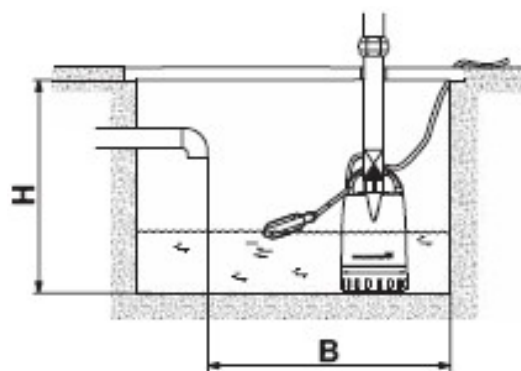
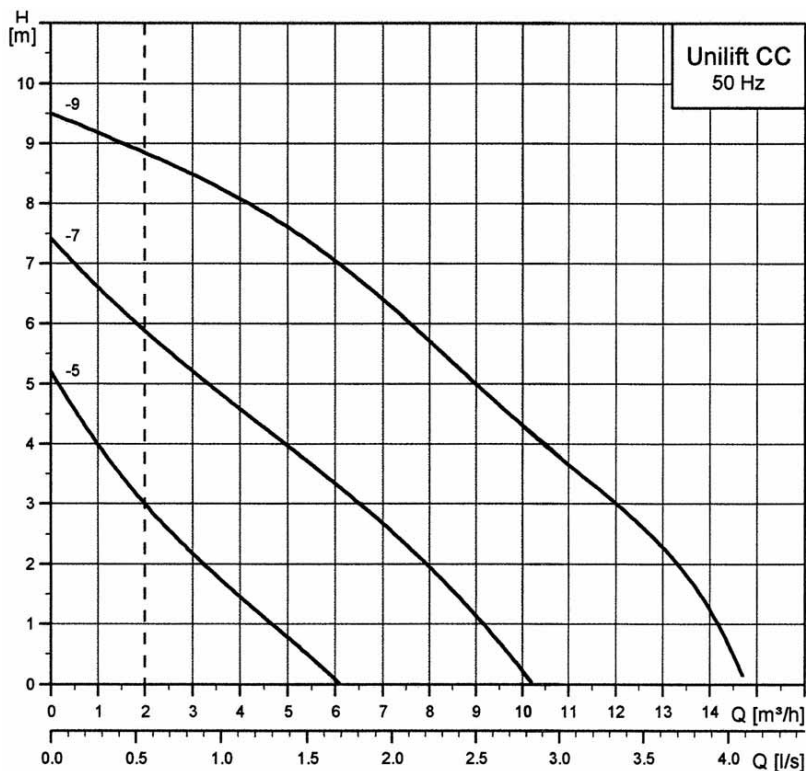
### Mål og vægt

Pumpetype	Spænding	P <sub>1</sub> [W]	I <sub>n</sub> [A]	Dimensioner [mm]						Vægt op til [kg]
				H	B1	B2	L1	L2	L3	
KP 150	1 x 220-230 V	300	1,3	225	149	31	350*	400		3,3
KP 250	1 x 220-230 V	480	2,3	225	149	31	350*	400	70	7,2
KP 250	3 x 380-415 V	480	0,8	225	149	31	350*	400	70	7,2
KP 350	1 x 220-240 V	700	3,2	235	149	31	350	410	70	8,0
KP 350	3 x 380-400 V	700	1,3	235	149	31	350	410	70	8,0

\* Med vertikal niveaufbryder: 250 mm.




GRUNDFOS UNILIFT				CC	
	<b>CC5</b> <b>0,25 KW - Afgang, adapter med 3/4", 1", 1 1/4"</b> <b>Leveres med kontraventil.</b>  Anvendelse: Regnvand, Gråt spildevand, vaskemaskiner, bad, vaskekummer, kældre, drænbrønde, damme, springvand. Kan pumpe ned til en vandstand på 3 mm ved at afmontere indløbssien. Temperatur: Op til 40° C			Varenr.	
	Amp.	Volt	Kabel mtr.	Niv.afbr.	
	0,98	1x230	10	Uden	39 1280 151
	0,98	1x230	10	Med	39 1280 351
	<b>CC7</b> <b>0,38 KW - Afgang, adapter med 3/4", 1", 1 1/4"</b> <b>Leveres med kontraventil.</b>				
	Amp.	Volt	Kabel mtr.	Niv.afbr.	
	1,8	1x230	10	Uden	39 1280 171
	1,8	1x230	10	Med	39 1280 371
	<b>CC9</b> <b>0,78 KW - Afgang, adapter med 3/4", 1", 1 1/4"</b> <b>Leveres med kontraventil.</b>				
	Amp.	Volt	Kabel mtr.	Niv.afbr.	
3,5	1x230	10	Uden	39 1280 191	
3,5	1x230	10	Med	39 1280 391	
	<b>TILBEHØR TIL CC PUMPER</b>				
	LLC 1000W Elektrode Niveaustyring 300mm			39 1371 771	
	LLC 1000W Elektrode Niveaustyring 1000mm			39 1371 773	

## YDELSESTABELLER

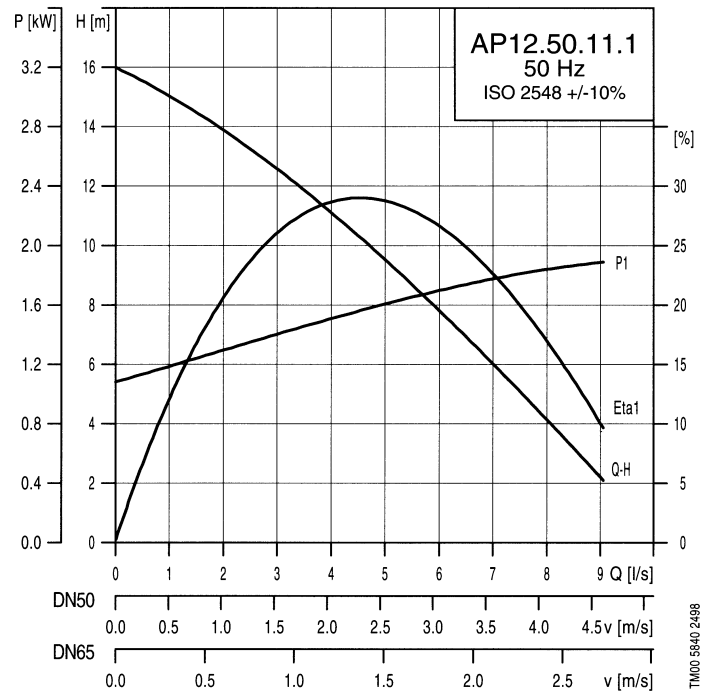
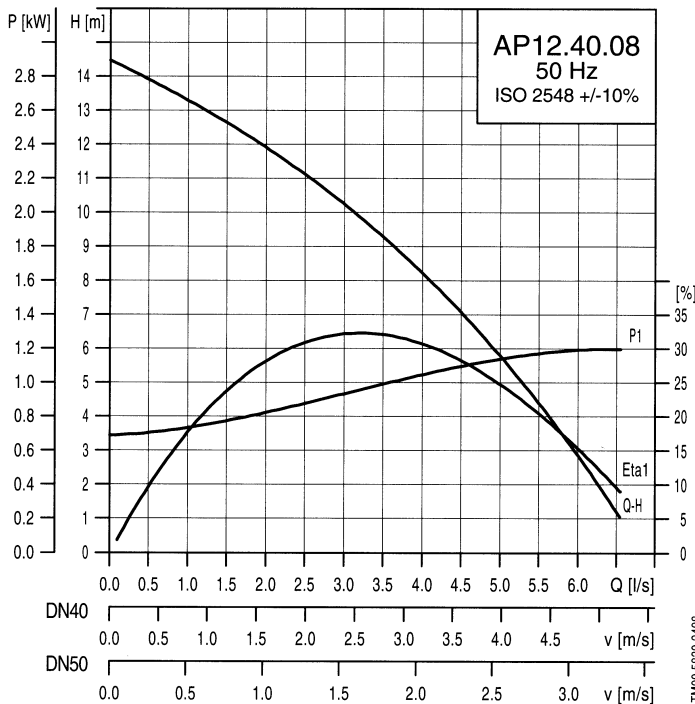
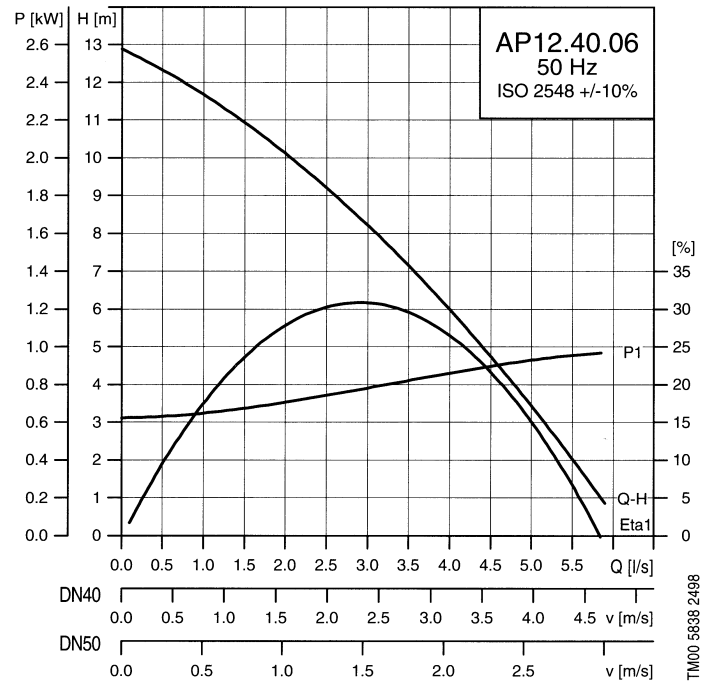
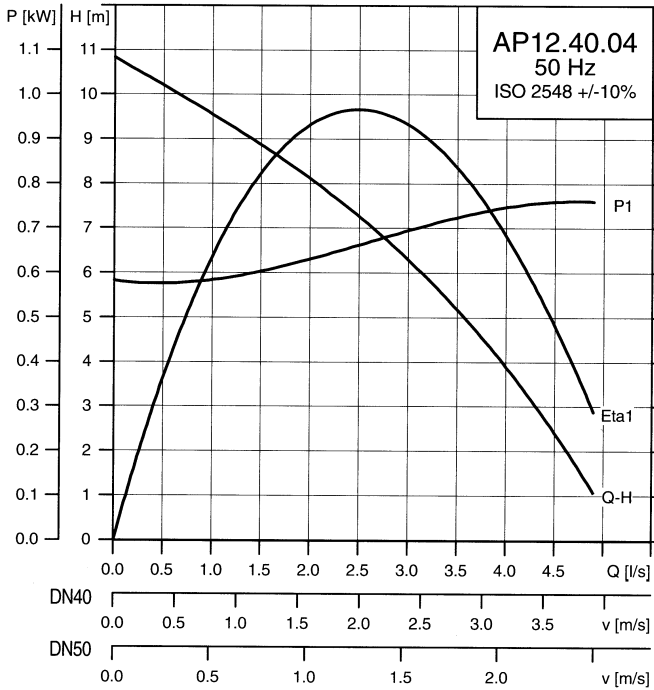



### Technical data

Pump type	Voltage [V]	P <sub>1</sub> [W]	I <sub>m</sub> [A]	Dimensions [mm]					Weight [kg]
				H	B	H1	B1	B2	
Unilift CC 5	1 x 220/240	240	1.1	520	400	305	160	26.5	4.35
Unilift CC 7	1 x 220/240	380	1.7	520	400	305	160	26.5	4.6
Unilift CC 9	1 x 220-240	780	3.7	570	500	340	160	26.5	6.5

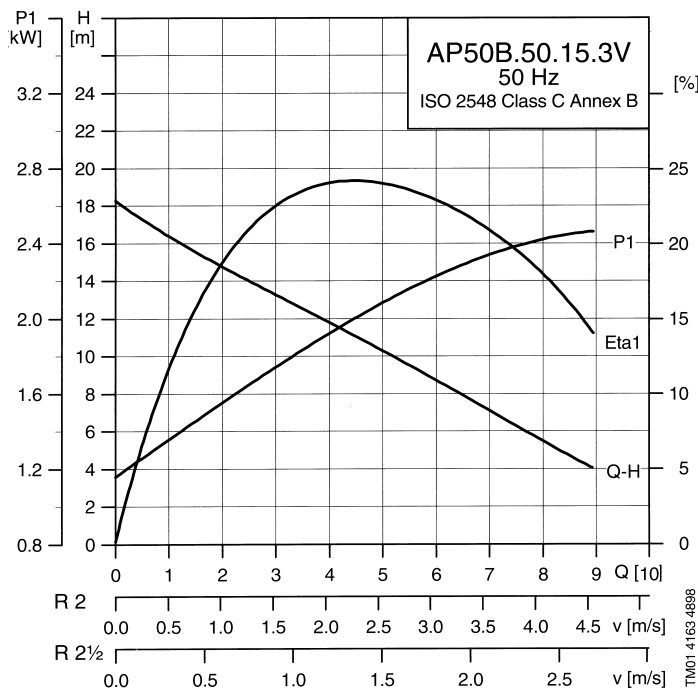
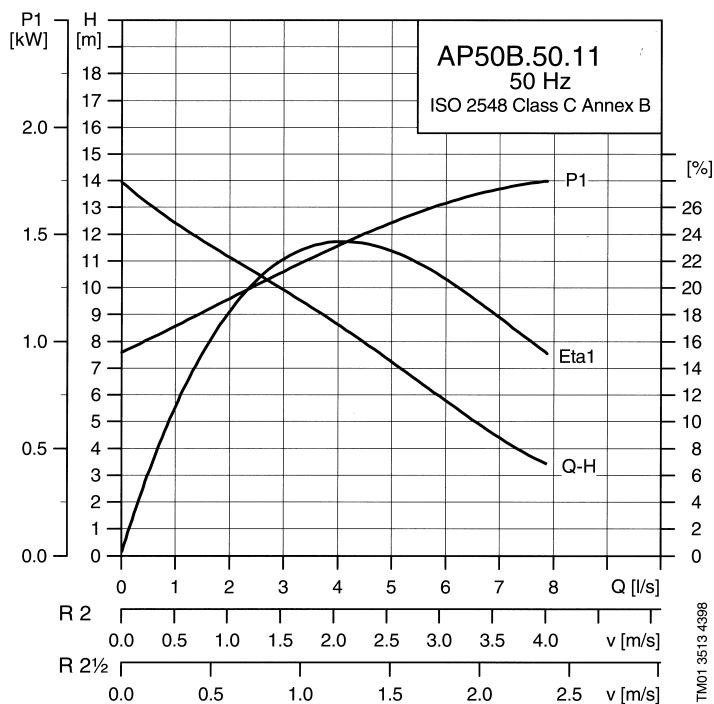
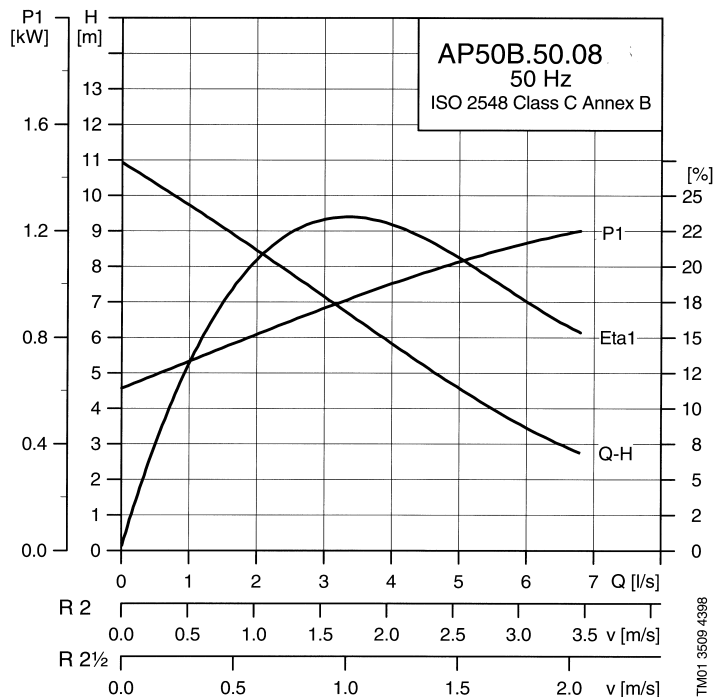
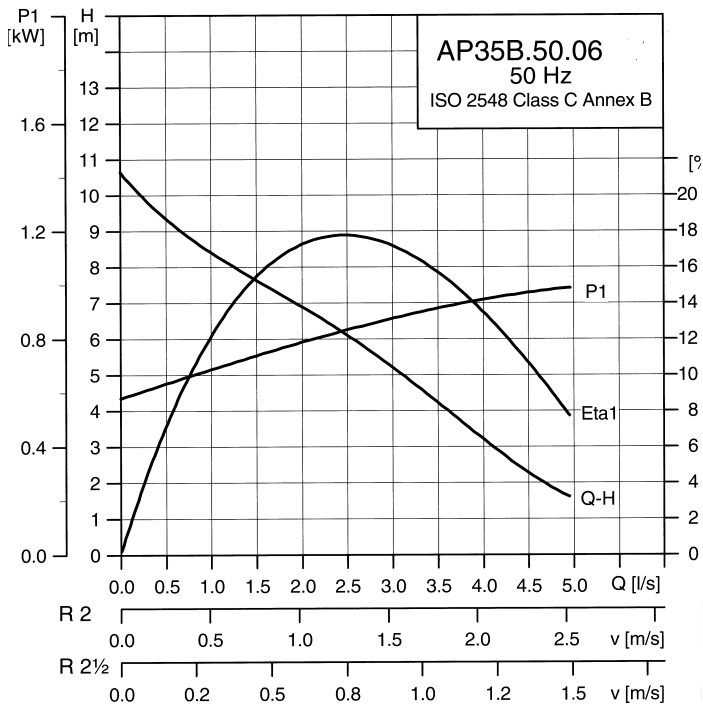
GRUNDFOS AFLØBSPUMPER, RUSTFRI					AP	
	<b>AP 12.40.04</b> <b>0,40 KW – Afgang 1½”</b>  Anvendelse: Grundvandssænkning, drænbrønde, overfladevand samt tømning af bassiner, tanke m.m.				Varenr.	
	Amp.	Volt	Kabel mtr.	Niv.afbr.		
	3,0	1x230	10	Med	39 1313 301	
	3,0	1x230	10	Uden	39 1313 101	
	<b>AP 12.40.06</b> <b>0,60 KW – Afgang 1½”</b>					
	Amp.	Volt	Kabel mtr.	Niv.afbr.		
	4,4	1x230	10	Med	39 1313 311	
	4,4	1x230	10	Uden	39 1313 111	
	1,6	3x400	10	Med	39 1314 311	
	1,6	3x400	10	Uden	39 1314 111	
	<b>AP 12.40.08</b> <b>0,80 KW – Afgang 1½”</b>					
	Amp.	Volt	Kabel mtr.	Niv.afbr.		
	5,9	1x230	10	Med	39 1313 331	
	5,9	1x230	10	Uden	39 1313 131	
	2,1	3x400	10	Med	39 1314 331	
	2,1	3x400	10	Uden	39 1314 131	
	<b>AP 12.50.11</b> <b>1,10 KW – Afgang 2”</b>					
	Amp.	Volt	Kabel mtr.	Niv.afbr.		
	8,5	1x230	10	Med	39 1313 312	
	8,5	1x230	10	Uden	39 1313 112	
3,2	3x400	10	Med	39 1314 312		
3,2	3x400	10	Uden	39 1314 112		
	<b>TILBEHØR FOR AP PUMPER</b>					
	Gummikontraklap for afg.studs 1½”				39 1377 911	
	Niv.afbr. m/stik AP 12, 35, 50				51 3054 8101	
	Motorkabel m/stik AP-1 faset				51 3058 6335	
	Motorkabel m/stik AP-3 faset				51 3054 8100	
	LLC 1000W Elektrode Niveaustyring 300mm				39 1371 771	
	LLC 1000W Elektrode Niveaustyring 1000mm				39 1371 773	

## YDELSESTABELLER



GRUNDFOS AFLØBSPUMPER, RUSTFRI					AP	
	<b>AP 35B.50.06</b> 0,60 KW – Afgang 2”  Anvendelse: Grundvandssænkning, drænbrønde, overfladevand, tømning af bassiner, tanke m.m., pumpning af spildevand m.m., afvanding af byggepladser og udgravninger. Landbrugs-, gartneri- og industriformål.				Varenr.	
	Amp.	Volt	Kabel mtr.	Niv.afbr.		
	4,40	1x230	5	Med	39 1270 312	
	4,40	1x230	10	Uden	39 1270 112	
	1,55	3x400	5	Uden	39 1271 112	
	<b>AP 50B.50.08</b> 0,80 KW – Afgang 2”					
	Amp.	Volt	Kabel mtr.	Niv.afbr.		
	5,37	1x230	5	Med	39 1272 312	
	5,37	1x230	10	Uden	39 1272 112	
	1,95	3x400	5	Uden	39 1273 112	
	<b>AP 50B.50.11</b> 1,20 KW – Afgang 2”					
	Amp.	Volt	Kabel mtr.	Niv.afbr.		
	8,00	1x230	5	Med	39 1272 332	
	8,00	1x230	10	Uden	39 1272 132	
	2,81	3x400	5	Uden	39 1273 132	
<b>AP 50B.50.15</b> 1,50 KW – Afgang 2”						
Amp.	Volt	Kabel mtr.	Niv.afbr.			
3,0	3x400	5	Uden	39 1273 152		
<b>TILBEHØR FOR APB PUMPER</b>						
Motorkabel m/niv.afbr.og stik APB A-1, 10 mtr				51 3016 701		
Motorkabel m/stik APB-1 faset, 10 mtr.				51 3016 702		
Motorkabel m/stik APB-3 faset, 10 mtr.				51 3016 731		
LLC 1000W Elektrode Niveaustyring 300mm				39 1371 771		
LLC 1000W Elektrode Niveaustyring 1000mm				39 1371 773		

## YDELSESTABELLER





## ZENIT SPILDEVANDSPUMPER M/KNIVSKÆR



ZENIT spildevandspumper i robust støbejern m. knivsystem for findeling af større partikler. Med 2 mekaniske tætninger i olieammer. Velegnet til kloakering i det åbne land, samt for ajle og spildevand i landbrugssektoren.

### GR BLUE PRO 100/2/G40 0,74 KW/2900 omdr. – Afgang 1½” - DN32

Amp	Volt	Kabel mtr.	Niv.afbr.	Varenr.
5,5	1 x 230	10	Med	50 1401 210
2,7	3 x 400	10	Med	50 1401 205
2,7	3 x 400	10	Uden	50 1401 200



### GRG

ZENIT Spildevandspumper GREY serien er særdeles robuste støbejernspumper med separat olieammer med 2 mekaniske tætninger, termistor indbygget og vand i olie sensor. Indløb med knivskær.

### 3 x 400V/2900 Omdr. – Afgang 2” \*GRG250 Afgang 1½” – DN32 og er uden termistor og vand i olie sensor.

Type	KW	Amp	Kabel	Varenr.
GRG 250*	1,8	3,7	10	50 1413 250
GRG 300	2,2	4,62	10	50 1413 300
GRG 400	3,0	6,36	10	50 1413 400
GRG 550	4,0	7,73	10	50 1413 550
GRG 750	5,5	10,80	10	50 1413 750
GRG 1000	7,5	13,70	10	50 1413 900

Uden niveaufbryder.



Fod A 50 1450 010



Koblingsfod incl. Adapter og øvre fæste 2”+2½” RG indv – Afgang. DN32 og DN50 på pumpe siden. 50 1450 050



ØVRE FÆSTE 50 1450 3050

ADAPTER DN 50 50 1450 530



PAKNING F/ADAPTER DN 50 50 1450 531

Denne adapter til DN50 kan kun bruges til koblingsfødder fra 2015.

## SPECIFIKATIONER

	Ydelse m3 / time	0	3.6	7.2	10.8	14.4	16.2						
	Ydelse liter / min	0	60	120	180	240	270						
	Ydelse liter / Sekund	0	1.0	2.0	3.0	4.0	4.5						
<b>GR BLUE PRO 100/2/40</b>	løfte højde m.v.s.	<b>18.0</b>	<b>16.4</b>	<b>14.4</b>	<b>11.5</b>	<b>6.9</b>	<b>3.0</b>						
	Ydelse m3 / time	0	1.8	3.6	5.4	7.2	9.0	10.8	12.6	14.4	16.2	18.0	19.8
	Ydelse liter / min	0	30	120	90	240	150	180	210	240	270	300	330
	Ydelse liter / Sekund	0	0.5	1	1.5	2.0	2.5	3.0	3.5	4.0	4.5	5.0	5.5
<b>GRG 250</b>	løfte højde m.v.s.	<b>28.5</b>	<b>28.2</b>	<b>27.5</b>	<b>26.5</b>	<b>25.4</b>	<b>24.1</b>	<b>22.7</b>	<b>21.2</b>	<b>19.4</b>	<b>17.3</b>	<b>14.9</b>	<b>13.0</b>
	Ydelse m3 / time	0	3.6	7.2	10.8	14.4	18	21.6	25.2	28.8	30.6		
	Ydelse liter / min	0	60	120	180	240	300	360	420	480	510		
	Ydelse liter / Sekund	0	1	2	3	4	5	6	7	8	8.5		
<b>GRG 300</b>	løfte højde m.v.s.	<b>30.3</b>	<b>29.3</b>	<b>27.9</b>	<b>26.1</b>	<b>24</b>	<b>21.6</b>	<b>18</b>					
<b>GRG 400</b>	løfte højde m.v.s.	<b>35.8</b>	<b>34.8</b>	<b>33</b>	<b>31.1</b>	<b>28.5</b>	<b>25.3</b>	<b>21.8</b>	<b>17.7</b>				
<b>GRG 550</b>	løfte højde m.v.s.	<b>45.1</b>	<b>44.4</b>	<b>42.8</b>	<b>40.6</b>	<b>38.1</b>	<b>35.3</b>	<b>32</b>					
<b>GRG 750</b>	løfte højde m.v.s.	<b>46.6</b>	<b>45.9</b>	<b>44.6</b>	<b>42.8</b>	<b>40.8</b>	<b>38.5</b>	<b>35.8</b>	<b>32.4</b>	<b>27.9</b>	<b>25</b>		
<b>GRG 1000</b>	løfte højde m.v.s.	<b>53.7</b>	<b>52.9</b>	<b>51.6</b>	<b>48.2</b>	<b>48.2</b>	<b>46</b>	<b>43.3</b>	<b>39.8</b>	<b>35.2</b>	<b>32</b>		

## ZENIT SPILDEVANDSPUMPER M/FRISTRØMSHJUL

	<b>DRAGA - DGO</b>					Varenr.	
	ZENIT Spildevandspumper DGO serien er robuste støbejerns pumper med motor i oliebad, samt dobbelt mekanisk akseltætning.						
	1x230V, 5 mtr. Kabel. Afgang 2"						
	Type	KW	Amp	RPM	Niv.		
	DGO50/2/50	0,37	2,90	2900	Uden		
	DGO50/2/50A	0,37	2,90	2900	Med		
	DGO150/2/50	1,10	8,20	2900	Uden		
	DGO150/2/50A	1,10	8,20	2900	Med		
	<b>Fri passage 38 mm</b>						
	3x400V, 5 mtr. Kabel. Afgang 2"						
	Type	KW	Amp	RPM	Niv.		
	DGO50/2/50	0,37	0,94	2900	Uden		
	DGO150/2/50	1,10	2,50	2900	Uden		
	<b>Fri passage 38 mm</b>						
3x400V, 5 mtr. Kabel. Afgang DN80							
Type	KW	Amp	RPM	Niv.			
DGO150/4/80	0,90	2,80	1450	Uden			
DGO200/2/80	1,70	3,90	2900	Uden			
<b>Fri passage 60 mm</b>							
  	<b>Zenit DGG</b>						
	ZENIT Spildevandspumper GREY serien er særdeles robuste støbejernspumper med separat oliekommer med 2 mekaniske tætninger, termistor indbygget og vand i olie sensor. Åbent Fristrømsjul.						
	3x400V, 10 mtr. Kabel, Uden Niveauafbryder						
	Type	KW	Amp	RPM	Fod		
	DGG200/4/80	1,5	3,4	1450	B		
	DGG300/4/80	2,2	5,15	1450	B		
	DGG300/2/80	2,2	4,62	2950	A		
	DGG550/4/100	4,0	8,4	1450	B		
	DGG750/4/100	5,5	11,8	1450	B		
	DGG1200/4/100	9,0	17	1450	B		
	DGG1500/4/100	11	20,5	1450	B		
	DGG1500/4/150	11	20,5	1450	C		
	DGG2000/4/150	15	30,8	1450	C		
	A	Fod til Zenit					
B	Fod til Zenit				50 1450 012		
C	Fod til Zenit				50 1450 017		
DN80 Koblingsfod incl. Adapter og topfæste					50 1450 080		
DN100 Koblingsfod incl. Adapter og topfæste					50 1450 100		
DN150 Koblingsfod incl. Adapter og topfæste					50 1450 151		

## SPECIFIKATIONER

	Ydelse m3 / time	0	3.6	7.2	10.8	14.4	18	21.6	25.2	28.8	32.4	36			
	Ydelse liter / minut	0	60	120	180	240	300	360	420	480	540	600			
	Ydelse liter / Sekund	0	1	2	3	4	5	6	7	8	9	10			
<b>DGO 50/2/50 (alle)</b>	<b>Løftehøjde m.v.s</b>	<b>6.0</b>	<b>5.1</b>	<b>4.5</b>	<b>3.8</b>	<b>2.3</b>	<b>0.9</b>								
<b>DGO 150/2/50 (alle)</b>	<b>Løftehøjde m.v.s</b>	<b>14.2</b>	<b>13</b>	<b>11.8</b>	<b>10.9</b>	<b>9.5</b>	<b>8.2</b>	<b>7.3</b>	<b>6.1</b>	<b>5.1</b>	<b>4.0</b>	<b>2.7</b>			
	Ydelse m3 / time	0	7.2	14.4	21.6	28.8	36	43.2	50.4	57.6	64.8				
	Ydelse liter / minut	0	120	240	360	480	600	720	840	960	1080				
	Ydelse liter / Sekund	0	2	4	6	8	10	12	14	16	18				
<b>DGO 150/4/80</b>	<b>Løftehøjde m.v.s</b>	<b>5.4</b>	<b>5.1</b>	<b>4.7</b>	<b>4.3</b>	<b>3.8</b>	<b>3.4</b>	<b>2.8</b>	<b>2.3</b>	<b>1.7</b>	<b>1.1</b>				
<b>DGO 200/2/80</b>	<b>Løftehøjde m.v.s</b>	<b>8.4</b>	<b>7.9</b>	<b>7.2</b>	<b>6.4</b>	<b>5.5</b>	<b>4.5</b>	<b>3.6</b>	<b>2.6</b>	<b>1.7</b>					
	Ydelse m3 / time	0	14.4	28.8	43.2	57.6	72.0	79.2	86.4	100.8	115.2	129.6	144.0	158.4	
	Ydelse liter / minut	0	240	480	720	960	1200	1320	1440	1680	1920	2160	2400	2640	
	Ydelse liter / Sekund	0	4	8	12	16	20	22	24	28	32	36	40	44	
<b>DGG 200/4/80</b>	<b>Løftehøjde m.v.s</b>	<b>9.6</b>	<b>8.8</b>	<b>7.0</b>	<b>5.0</b>	<b>3.2</b>	<b>1.7</b>	<b>1</b>							
<b>DGG 300/4/80</b>	<b>Løftehøjde m.v.s</b>	<b>11.3</b>	<b>10.4</b>	<b>9.0</b>	<b>7.4</b>	<b>5.6</b>	<b>3.8</b>	<b>3</b>							
<b>DGG 300/2/80</b>	<b>Løftehøjde m.v.s</b>	<b>9.7</b>	<b>6.7</b>	<b>5.6</b>	<b>4.2</b>	<b>2.6</b>									
<b>DGG 550/4/100</b>	<b>Løftehøjde m.v.s</b>	<b>11.7</b>	<b>11.3</b>	<b>10.6</b>	<b>9.7</b>	<b>8.6</b>	<b>7.6</b>	<b>7.0</b>	<b>6.4</b>	<b>5.3</b>	<b>4.2</b>	<b>3.2</b>	<b>2.3</b>	<b>1.4</b>	
	Ydelse m3 / time	0	28.8	57.6	86.4	115.2	144.0	172.8	201.6	230.4	259.2	288	316.8	345.6	
	Ydelse liter / minut	0	480	960	1440	1920	2400	2880	3360	3840	4320	4800	5280	5760	
	Ydelse liter / Sekund	0	8	16	24	32	40	48	56	64	72	80	88	96	
<b>DGG 750/4/100</b>	<b>Løftehøjde m.v.s</b>	<b>13.5</b>	<b>12.1</b>	<b>10.4</b>	<b>8.5</b>	<b>6.6</b>	<b>4.4</b>	<b>2.3</b>							
<b>DGG 1200/4/100</b>	<b>Løftehøjde m.v.s</b>	<b>20.3</b>	<b>18.8</b>	<b>17.2</b>	<b>15</b>	<b>12.3</b>	<b>9.3</b>	<b>6.5</b>	<b>3.8</b>						
<b>DGG 1500/4/100</b>	<b>Løftehøjde m.v.s</b>	<b>22.7</b>	<b>21.1</b>	<b>19.6</b>	<b>17.6</b>	<b>15</b>	<b>12.1</b>	<b>9.2</b>	<b>6.4</b>	<b>3.6</b>					
	Ydelse m3 / time	0	28.8	57.6	86.4	115.2	144	172.8	201.6	230.4	259.2	288	316.8	345.6	374.4
	Ydelse liter / minut	0	480	960	1440	1920	2400	2880	3360	3840	4320	4800	5280	5760	6240
	Ydelse liter / sekund	0	8	16	24	32	40	48	56	64	72	80	88	96	104
<b>DGG 1500/4/150</b>	<b>Løftehøjde m.v.s</b>	<b>13.3</b>	<b>12.4</b>	<b>11.8</b>	<b>11.4</b>	<b>10.9</b>	<b>10.2</b>	<b>9.2</b>	<b>8</b>	<b>6.5</b>	<b>4.8</b>	<b>3.3</b>	<b>1.9</b>	<b>1.0</b>	
<b>DGG 2000/4/150</b>	<b>Løftehøjde m.v.s</b>	<b>16.2</b>	<b>15.2</b>	<b>14.5</b>	<b>13.9</b>	<b>13.3</b>	<b>12.6</b>	<b>11.7</b>	<b>10.6</b>	<b>9.2</b>	<b>7.7</b>	<b>6.2</b>	<b>4.6</b>	<b>3.3</b>	<b>2.3</b>

## ZENIT SPILDEVANDSPUMPER M/KANALHJUL



### DRG

ZENIT Spildevandspumper GREY serien er særdeles robuste støbejernspumper med separat oliekommer med 2 mekaniske tætninger, termistor indbygget og vand i olie sensor. Halvåbent 2-vinget kanalløbehjul.

3x400V, 10 mtr. Kabel 6 pol

	KW	AmP	RPM	Afg.	Fod	Varenr.
550/6/150	4,0	9,3	950	DN150	E	50 1416 415
750/6/150	<b>5,5</b>	17,3	950	DN150	E	50 1416 420
1000/6/150	7,5	26,9	950	DN150	E	50 1416 425

### Fri passage 80 mm

3x400V, 10 mtr. Kabel 4 pol

	KW	AmP	RPM	Afg.	Fod	Varenr.
200/4/80	1,5	3,4	1450	DN80	B	50 1416 245
300/4/80	2,2	5,15	1450	DN80	B	50 1416 250
300/4/100	2,2	5,15	1450	DN100	B	50 1416 305
400/4/100	3,0	6,72	1450	DN100	B	50 1416 315
550/4/100	4,0	8,4	1450	DN100	B	50 1416 325
750/4/80	5,5	11,8	1450	DN80	D	50 1416 265
1200/4/100	9	17,0	1450	DN100	D	50 1416 330
1200/4/150	9	17,0	1450	DN150	D	50 1416 400
1500/4/150	11,0	20,5	1450	DN150	D	50 1416 405

### Fri passage 45 – 80 mm

3x400V, 10 mtr. Kabel 2 pol

	KW	AmP	RPM	Afg.	Fod	Varenr.
250/2/80	1,8	3,7	2900	DN80	C	50 1416 200
300/2/80	2,2	4,62	2900	DN80	C	50 1416 205
400/2/80	3,0	6,36	2900	DN80	C	50 1416 210
550/2/80P	4,0	7,73	2900	DN80	C	50 1416 215
750/2/80A	5,5	10,8	2900	DN80	A	50 1416 225
2000/2/80W	15,0	26,8	2900	DN80	D	50 1416 291
2500/2/80W	18,5	32,9	2900	DN80	D	50 1416 292

### Fri passage 35 - 55 mm



A	Fod til Zenit	50 1450 010
B	Fod til Zenit	50 1450 012
C	Fod til Zenit	50 1450 013
D	Fod til Zenit	50 1450 016
E	Fod til Zenit	50 1450 015



DN80 Koblingsfod incl. Adapter og topfæste	50 1450 080
DN100 Koblingsfod incl. Adapter og topfæste	50 1450 100
DN150 Koblingsfod incl. Adapter og topfæste	50 1450 151

	Ydelse m3 /time	0	36	72	108	144	180	216	252	288	324	360	396	432	
	Ydelse liter/minut	0	600	1200	1800	2400	3000	3600	4200	4800	5400	6000	6600	7200	
	Ydelse liter/sek.	0	10	20	30	40	50	60	70	80	90	100	110	120	
DRG 550/6/150	Løftehøjde m.v.s.	7,9	7,2	6,9	6,4	5,8	5,2	4,5	3,8	3	2	0,9	max 103 L/s=0,7		
DRG 750/6/150	Løftehøjde m.v.s.	11,9	10,8	9,7	8,9	8,2	7,5	6,7	5,8	4,8	3,8	2,6	max 111 L/s=0,8		
DRG 1000/6/150	Løftehøjde m.v.s.	14,9	13,8	12,4	11,4	10,6	9,9	9,2	8,2	7,2	6,1	4,9	3,6	2,4	
													max 130 L/s=0,9		
	Ydelse m3 /time	0	14,4	28,8	43,2	57,6	72	86,4	100,8	115,2	129,6	144	158	173	201,6
	Ydelse liter/minut	0	240	480	720	960	1200	1440	1680	1920	2160	2400	2640	2880	3360
	Ydelse liter/sek.	0	4	8	12	16	20	24	28	32	36	40	44	48	56
DRG 200/4/80	Løftehøjde m.v.s.	8.6	7.7	6.7	5.6	4.4	2.9	1.3							
DRG 300/4/80	Løftehøjde m.v.s.	12.8	11.6	10.2	8.8	7.5	6.3	4.9	3.4	1.6					
DRG 300/4/100	Løftehøjde m.v.s.	9.9	9.2	8.4	7.5	6.6	5.7	4.7	3.5	2.3	1.0				
DRG 400/4/100	Løftehøjde m.v.s.	11.8	11.1	10.2	9.2	8.3	7.3	6.4	5.4	4.3	3.0	1.6			
	Ydelse m3/time	0	28,8	57,6	86,4	115,2	144	173	201,6	230,4	259,2	288			
	Ydelse liter/minut	0	480	960	1440	1920	2400	2880	3360	3840	4320	4800			
	Ydelse liter/sek.	0	8	16	24	32	40	48	56	64	72	80			
DRG 550/4/100	Løftehøjde m.v.s.	15.6	12.5	11.2	10	8.8	7.4	5.8	4.2	max 62 L/s=2,5mvs					
DRG 750/4/80	Løftehøjde m.v.s.	18.4	16	14.3	12.5	10.3	7.7	4.9	2	max 58 L/s=1.0mvs					
DRG 1200/4/100	Løftehøjde m.v.s.	22.4	20	18	16.4	14.8	13.3	11.6	9.6	7.2	4.4	1.3			
	Ydelse m3/time	0	43,2	86,4	129,6	172,8	216	259	302,4	345,6	388,8	432			
	Ydelse liter/minut	0	720	1440	2160	2880	3600	4320	5040	5760	6480	7200			
	Ydelse liter/sek.	0	12	24	36	48	60	72	84	96	108	120			
DRG 1200/4/150	Løftehøjde m.v.s.	13	12.6	11.9	10.9	9.9	8.6	7.3	5.9	4.5	2.9	1.3			
DRG 1500/4/150	Løftehøjde m.v.s.	17.1	16.4	15.5	14.3	12.8	11.2	9.5	7.8	6.1	4.4	2.5			
	Ydelse m3/time	0	14,4	28,8	43,2	57,6	72	86,4	100,8	115,2	129,6	144	158		
	Ydelse liter/minut	0	240	480	720	960	1200	1440	1680	1920	2160	2400	2640		
	Ydelse liter/sek.	0	4	8	12	16	20	24	28	32	36	40	44		
DRG 250/2/80	Løftehøjde m.v.s.	17	13.4	11.3	9.2	6.6	4	1.3	max 25 L/s=0.5						
DRG 300/2/80	Løftehøjde m.v.s.	18.4	15.9	13.6	11.4	9.1	6.9	4.7	max 25 L/s=4.2						
DRG 400/2/80	Løftehøjde m.v.s.	23.5	20.3	17.7	15.1	12.4	9.9	6.6	3.8						
DRG 550/2/80 A	Løftehøjde m.v.s.	21.2	18.8	16.4	14.2	12.2	10.5	9	7.4	5	1.6				
DRG 750/2/80 A	Løftehøjde m.v.s.	27	24.7	22	19.3	16.9	14.7	12.8	10.8	8.6	6.0	2.6			
	Ydelse m3/time	0	14,4	28,8	43,2	57,6	72	86,4	100,8	115,2	129,6	144	158	173	180
	Ydelse liter/minut	0	240	480	720	960	1200	1440	1680	1920	2160	2400	2640	2880	3000
	Ydelse liter/sek.	0	4	8	12	16	20	24	28	32	36	40	44	48	50
DRG 2000/2/80W	Løftehøjde m.v.s.	46	42	39.3	37.3	35.6	33.8	31.9	30.0	27.6	25.3	23.2	20.7	18.3	17.2
DRG 2500/2/80W	Løftehøjde m.v.s.	54.5	52.3	49.6	47.2	44.5	42.1	39.9	37.9	36.2	33.3	30.7	28.0	25.2	24.1
DRG 2000/2/80W	Løftehøjde m.v.s.	Max 66 L/s= 5mvs													
DRG 2500/2/80W	Løftehøjde m.v.s.	Max 69 L/s= 8mvs													

## ZENIT SMÅ SPILDEVANDSPUMPER




						Varenr.		
	<b>DG BLUE 100/2/G40</b> 0,74 KW/2900 omdr. – Afgang 1½” RG Fri passage 40mm med fristrøms-hjul					50 1400 450		
	Amp	Volt	Kabel mtr.	Niv.afbr.				
	5,6	1 x 230	5	Med				
	<b>DG STEEL 55/2A M50</b> 0,55 KW/2900 omdr. – Afgang 1½” RG Fri passage 40mm med fristrøms-hjul					50 1400 920		
	Amp	Volt	Kabel mtr.	Niv.afbr.				
	2,7	1 x 230	10	Med				
	<b>DR BLUE 40/2/G32</b> 0,3 KW/2900 omdr. – Afgang 1¼” RG Fri passage 7mm med kanalhjul					50 1400 100		
	Amp	Volt	Kabel mtr.	Niv.afbr.				
	2,3	1 x 230	5	Med				
	<b>DR BLUE PRO 200/2/G50</b> 1,5 KW/2900 omdr. – Afgang 2” RG Fri passage 40mm kanalhjul					50 1400 250		
	Amp	Volt	Kabel mtr.	Niv.afbr.				
	4,3	3 x 400	10	Uden				
	Industrielle samt mere krævende applikationer.							
	<b>DR STEEL MED KANALHJUL</b> 1x230V er med Niveau afbryder.							
	Type	Volt	KW	Amp	Tilsl.	Passage		
	25/2A M50	1x230	0,25	2,3	1¼”	10mm	50 1400 795	
37/2A M50	1x230	0,37	3,1	1¼”	10mm	50 1400 800		
75/2A M50	1x230	0,75	5,6	1½”	12mm	50 1400 830		
75/2 T50	3x400	0,75	2,4	1½”	12mm	50 1400 840		

## SPECIFIKATIONER

DG BLUE 100/2/G40	Ydelse m3/time	0	3,6	7,2	10,8	14,4	18	21,6	25,2				
	Ydelse Liter/min	0	60	120	180	240	300	360	420				
	Ydelse Liter/sekund	0	1.0	2.0	3.0	4.0	5.0	6.0	7.0				
	Løftehøjde Mvs	11.6	11.2	10.2	9.1	7.6	6.0	4.3	2.7				
DG STEEL 55/2A M50	Ydelse m3/time	0	1,8	3,6	5,4	7,2	9	10,8	12,6	14,4	16,2	18	19,8
	Ydelse Liter/min	0	30	60	90	120	150	180	210	240	270	300	330
	Ydelse Liter/sekund	0	0.5	1	1,5	2.0	2.5	3.0	3.5	4.0	4.5	5.0	5.5
	Løftehøjde Mvs	8.1	7.8	7.5	7.0	6.6	6.2	5.7	4.8	4.1	3.2	2.3	1.3
DR BLUE 40/2/G32	Ydelse m3/time	0	1,8	3,6	5,4	7,2	9	10,8	12,6	14,4	16,2	18	19,8
	Ydelse liter/minut	0	30	60	90	120	150	180	210	240	270	300	330
	Ydelse liter/sekund	0	0.5	1	1,5	2.0	2.5	3.0	3.5	4.0	4.5	5.0	5.5
	Løftehøjde Mvs	7.0	6.7	6.3	5.8	5.1	4.1	3.6	2.0				
DR BLUE PRO 200/2/G50	Ydelse m3/time	0	3,6	7,2	10,8	14,4	18	21,6	25,2	28,8	32,4	36	39,6
	Ydelse Liter/min	0	60	120	180	240	300	360	420	560	540	600	660
	Ydelse Liter/sekund	0	1	2	3	4	5	6	7	8	9	10	11
	Løftehøjde Mvs	17.0	16.2	15.3	14.3	13.3	12.1	10.9	9.5	8.1	6.6	5.1	3.3
DR STEEL 25/2A M50	Ydelse m3/time	0	1,8	3,6	5,4	7,2	9	10,8	12,6	14,4	16,2	18	19,8
	Ydelse Liter/min	0	30	60	90	120	150	180	210	240	270	300	330
	Ydelse Liter/sekund	0	0.5	1	1,5	2.0	2.5	3.0	3.5	4.0	4.5	5.0	5.5
	Løftehøjde Mvs	8.5	7.0	5.7	4.0	1.3							
DR STEEL 37/2A M50	Løftehøjde Mvs	13.5	11.6	9.5	7.0	4.5	1.9						
DR STEEL 75/2A M50	Løftehøjde Mvs	16.0	15.0	13.4	12.4	11.2	10.0	8.8	7.6	6.5	5.2	3.8	2.5
DR STEEL 75/2 T50	Løftehøjde Mvs	16.0	15.0	13.4	12.4	11.2	10.0	8.8	7.6	6.5	5.2	3.8	2.5



## ZENIT TILBEHØR

ZENIT TILBEHØR				
	<b>MOTORVÆRN</b> Magnet betjent motorværn i plastkasse. 3X400V, IP65. Fabrikat: Telemecanique.			
	1,8 – 2,6 AMP		50 1452 026	
	2,6 – 3,7 AMP		50 1452 037	
	3,7 – 5,5 AMP		50 1452 055	
	5,0 – 8,0 AMP		50 1452 080	
	8,0 – 11,0 AMP		50 1452 110	
	10,0 – 14,0 AMP		50 1452 140	
	<b>NIVEAUFBRYDER</b> <b>Dobbeltfunktion.</b> Kan kobles til enten tømme- eller fyldefunktion.			
	10 mtr. kabel		39 1219 930	
	<b>ALARM BOX</b> Alarm enhed med horn og rød lampe. Tilslutning 1x230v og Niveauipe			
			39 1349 200	
	Alarm enhed med horn og rød lampe Og relæ udgang. Tilslutning 1x230v og Niveauipe			
			39 1349 210	
	<b>AUTOMATIKSKABE</b> Zenit automatiskab for automatisk drift af 1 stk. 3 x 400 V pumpe ved hjælp af niveauipe. Skabet er med afbryder og omskifter for 0-manuel-autodrift samt nødvendige lamper. Excl. niveauipe.			
	<b>Model</b>	<b>kW</b>	<b>Område</b>	
	Q1EL	0.55 > 7.5	2 – 16 Amp	50 1453 1036
	Q1EL	7.5 > 11	16 - 24 Amp	50 1453 1038
	Q1EL	7.5 > 15	16 – 30 Amp	50 1453 1040



ZENIT TILBEHØR																							
	<b>KOBLINGSFOD I STØBEJERN</b> Incl. øvre guidefæste	Varenr.																					
	<table border="1"> <thead> <tr> <th>Tilslutning</th> <th>Guiderør</th> <th></th> <th></th> </tr> </thead> <tbody> <tr> <td>2" x 2"</td> <td>3/4"</td> <td>50 1450 050</td> <td></td> </tr> <tr> <td>DN80 x DN80</td> <td>2"</td> <td>50 1450 080</td> <td></td> </tr> <tr> <td>DN100 x DN100</td> <td>2"</td> <td>50 1450 100</td> <td></td> </tr> <tr> <td>DN150 x DN150</td> <td>2"</td> <td>50 1450 151</td> <td></td> </tr> </tbody> </table>	Tilslutning	Guiderør			2" x 2"	3/4"	50 1450 050		DN80 x DN80	2"	50 1450 080		DN100 x DN100	2"	50 1450 100		DN150 x DN150	2"	50 1450 151			
	Tilslutning	Guiderør																					
	2" x 2"	3/4"	50 1450 050																				
	DN80 x DN80	2"	50 1450 080																				
DN100 x DN100	2"	50 1450 100																					
DN150 x DN150	2"	50 1450 151																					
	<b>KÆDE</b> 8 mm varmgalvaniseret, mtr. 6 mm Rustfri, mtr.	50 1450 908 50 1450 917																					
	<b>FLYGT ADAPTOR F/ KOB.FOD</b> DN65 DN80 DN100 DN150	50 1450 565 50 1450 540 50 1450 600 50 1450 650																					
	<b>KUGLE-KONTRAVENTIL</b> Støbejern																						
	1½" Gev. 2" Gev. DN65 DN80 DN100	43 0854 111 43 0854 112 50 1451 065 43 0953 080 43 0953 100																					
	<b>SKYDEVENTIL I STØBEJERN</b> M. Håndhjul																						
	DN65 DN80 DN100 DN150 DN200	14 1408 665 14 1408 680 14 1408 685 14 1408 687 14 1408 688																					
	<b>GUIDERØR 3/4" GALV.</b> 6 Meters sammensvejst guiderør i 3/4".	50 1450 160																					



## ATLAS COPCO WEDA DYK PUMPER



### Entreprenør lænsepumpe Weda D-serie

#### Anvendelse:

Grundvands-sænkning, lænsning af udgravninger og generel afvanding, og flytning af store mængder vand.

#### Konstruktion:

- Kraftig opbygning, lavet med holdbarhed for øje
- Løbehjul i hårdmetal, pumpehus og slidplade med gummi-coating
- Kan arbejde med delvis underdykket motor
- Tre fasede pumper med rotationskontrol (sikrer altid korrekt omdrejningsretning) og service venlig.

Varenr.

Type	Volt	Kw	Amp	Afgang udv.	Kabel	
D04N	1X230	0.4	2.8	2"	10 m	50 1104 200
D08N	1X230	0.75	5.2	2"	10 m	50 1104 300
D10N	1x230	1,0	6,1	2"	20 m	50 1110 546
D10N	3X400	1.0	2.0	2"	20m	50 1110 555
D30N	3x400	2,0	4,0	3"	20 m	50 1130 499
D30L	3x400	2,0	4,0	3"	20 m	50 1130 477
D40N	3X400	3,0	5,3	3"	20 m	50 1140 516
D50N	3X400	5,6	11,1	4"	20 m	50 1150 059
D50H	3X400	5.6	11.1	3"	20 m	50 1150 091
D60N	3X400	7,5	14,7	4"	20 m	50 1160 123
D60H	3X400	7,5	14,7	3"	20 m	50 1160 155
D60SH	3X400	7.5	14.7	3"	20 m	50 1160 253
D70L	3X400	11.8	25	6"	20 m	50 1170 237
D70H	3X400	11.8	25	4"	20 m	50 1170 236
D80H	3X400	22.4	38	4"	20 m	50 1170 353
D80N	3X400	22.4	38	6"	20 m	50 1170 360
D90L	3X400	29.3	47	6"	20 m	50 1170 370
D90H	3X400	29.3	47	4"	20 m	50 1170 375
D100N	3X400	54	110	10" sl.	20 m	

Gulv suger, flad suger, med 1" slangestuds afgang.  
Kraftig opbygning med løbehjul i hård metal.

Type	Volt	KW	Am P	Afg. Udv.	Kabel	
D04BN	1x230	0,4	2,8	1"	10 m	50 1104 400

Forespørg på:

- Mindre ydelse
- Større ydelse
- Anvendelse i saltvand med anode
- Afgang med slangestuds
- Weda S serie for kloakvand og slam (åben løbehjul)



ATLAS C WEDA DYKPUMPER													
	Ydelse m3/time	0	3	6	9	12	15	18	21	24	27		
	Ydelse Liter/min	0	50	100	150	200	250	300	350	400	450		
	Ydelse Liter/sekund	0	0,8	1,7	2,5	3,3	4,2	5,0	5,8	6,7	7,5		
D04N	Løfterhøjde Mvs	11	10.8	9.2	7.0	4.1							
D08N	Løftehøjde Mvs	15	14.2	13.5	12	10	7.0	4.0					
D10N	Løftehøjde Mvs	14.5	14	12.8	11.2	10	8	6	4	2	1		
	Ydelse m3/time	0	12	24	36	48	60	72	84	96	108	132	156
	Ydelse Liter/min	0	200	400	600	800	1000	1200	1400	1600	1800	2200	2600
	Ydelse Liter/sekund	0	3,3	6,7	10,0	13,3	16,7	20,0	23,3	26,7	30,0	36,7	43,3
D30N	Løftehøjde Mvs	24	19	14	9	2.5							
D30L	Løftehøjde Mvs	17	16	15	13	10	6	3					
D40N	Løftehøjde Mvs	23	22	19	16.5	13.5	10	6	2				
D50N	Løftehøjde Mvs	25	24	22	20	18	15	13	11	9	8	2	
D50H	Løftehøjde Mvs	39	38	35	30	23	15	3					
D60N	Løftehøjde Mvs	29	27	24	20	18	17	16.5	16	15.5	15	13	7
D60H	Løftehøjde Mvs	39	38	36	33	30	25	17	7				
D60SH	Løftehøjde Mvs	60	51	45	30	17	2						
	Ydelse m3/time	0	30	60	120	180	240	300					
	Ydelse Liter/min	0	500	1000	2000	3000	4000	5000	5500	6000	12000	16000	20000
	Ydelse Liter/sekund	0	8.33	16.66	33.33	50	66.66	83.33					
D70L	Løftehøjde Mvs	32	31	30	22	16	8						
D70H	Løftehøjde Mvs	65	45	29									
D80H	Løftehøjde Mvs	63	58	53	32								
D80N	Løfterhøjde Mvs	40	37	32	29	25	20	11	5				
D90L	Løfterhøjde Mvs	42	41	40	34	29	22	15	10	8			
D90H	Løfterhøjde Mvs	88	76	70	32								
D100N	Løfterhøjde Mvs	34			31		28	26		25	16	10	4
	Ydelse m3/time	0	1.5	3	4.5	6	7						
	Ydelse Liter/min	0	25	50	75	100	117						
	Ydelse Liter/sekund	0	0,4	0,8	1,3	1,7	1,9						
D04BN	Løftehøjde Mvs	12	11	10	7	5	2						

CAPRARI CENTRIFUGALPUMPER															HVU			
KOMPLET MED MOTOR															Varenr.			
Type	Motor		Ydelse m3/t													Varenr.		
	HK	KW	20	25	30	35	40	45	50	55	60	65	70	75	80			85
			Løftehøjde m.v.s.															
HVU25/2A	10	7,5	63	63	55	46											50 1600 010	
HVU25/3A	15	10	102	95	85	73											50 1600 015	
HVU35/2A	20	15	99	98	96	92	86	78	70								50 1600 020	
HVU50/2A	25	18,5		95	94	92	88	86	82	78	73	68	62	55			50 1600 025	
HVU50/3C	30	22			108	106	103	98	93	86	78	69	59	46			50 1600 030	
Type	Motor		Ydelse m3/t													Varenr.		
	HK	KW	35	40	45	50	55	60	65	70	75	80	85	95	100			108
			Løftehøjde m.v.s.															
HVU50/3A	40	30	139	135	131	125	118	110	103	94	85	74	64				50 1600 040	
HVU65/2E	50	37		121	120	118	117	115	113	110	107	104	100	92	86	75	50 1600 050	
PUMPE ALENE																		
Type	Motor		Ydelse m3/t													Varenr.		
	HK	KW	20	25	30	35	40	45	50	55	60	65	70	75	80			85
			Løftehøjde M.V.S															
HVU25/2A	10	7,5	63	63	55	46											50 1600 510	
HVU25/3A	15	10	102	95	85	73											50 1600 515	
HVU35/2A	20	15	99	98	96	92	86	78	70								50 1600 520	
HVU50/2A	25	18,5		95	94	92	88	86	82	78	73	68	62	55			50 1600 525	
HVU50/3C	30	22			108	106	103	98	93	86	78	69	59	46			50 1600 530	
Løftehøjde m3/t			35	40	45	50	55	60	65	70	75	80	85	95	10	108		
HVU50/3A	40	30	139	135	131	125	118	110	103	94	85	74	64				50 1600 540	
HVU65/2E	50	37		121	120	118	117	115	113	110	107	104	100	92	86	75	50 1600 550	

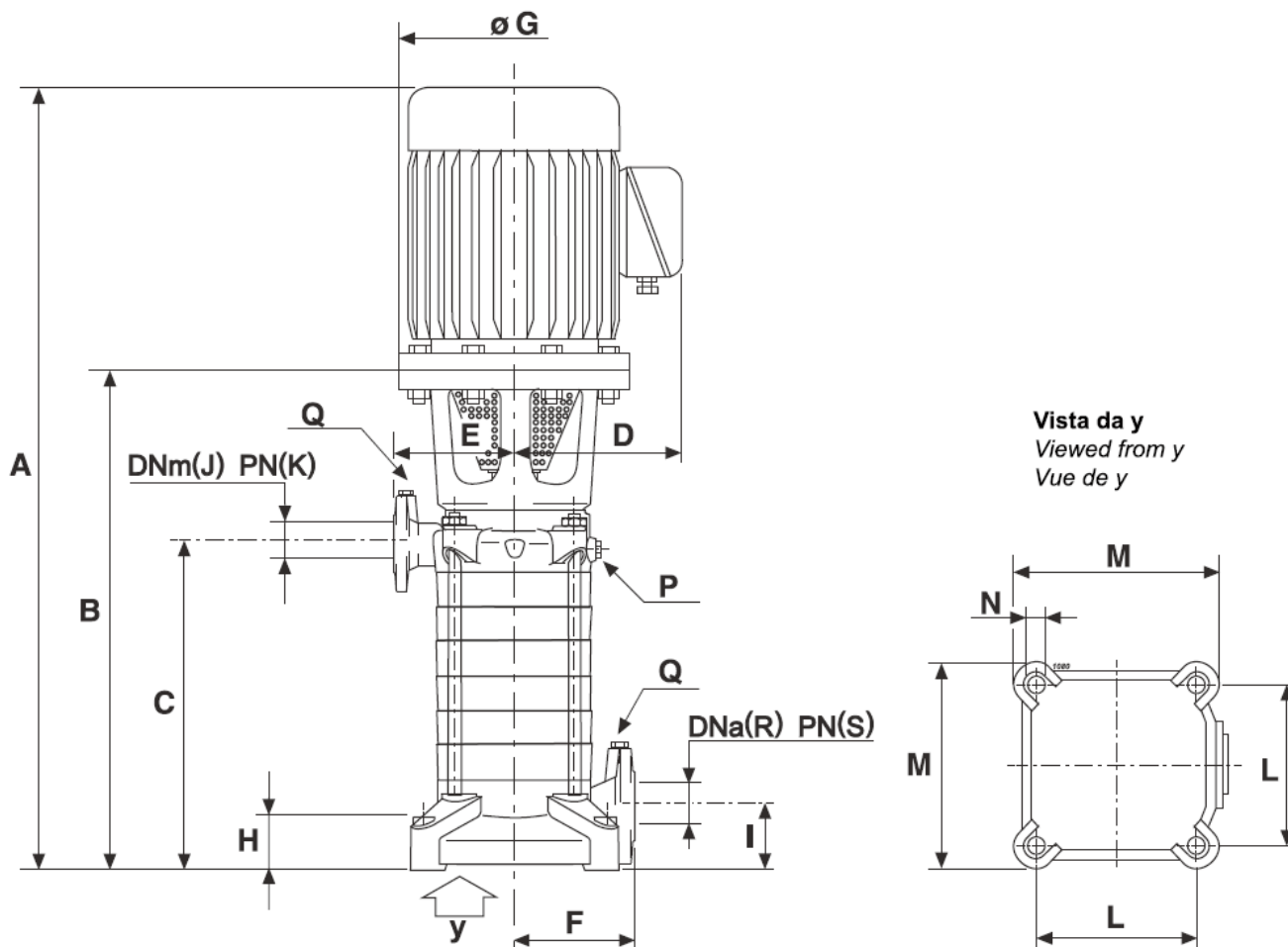


**SPECIFIKATIONER**

**HVU**

**Målskitse**

Type	Flangedim.		B	C	D	E	F	G	H	I	L	m	N
	Sug	Tryk											
HVU25/2A	50	40	432	208	201	175	175	300	72	85	260	310	22
HVU25/3A	50	40	513	259	282	175	175	350	72	85	260	310	22
HVU35/2A	65	50	522	236	282	200	200	350	75	95	320	374	22
HVU50/2A	65	50	522	236	282	200	200	350	75	95	320	374	22
HVU50/3C	65	50	580	294	340	200	200	350	75	95	320	374	22
HVU50/3A	65	50	580	294	340	200	200	400	75	95	320	374	22





## CAPRARI MEC-A PUMPER FOR SAMMENBYGNING

### MEC-A 3/50 2900 omdr. Til 15-30 HK el-motor

Varenr.

Ydelse m3/time

Type		14,4	21,6	28,8	36	43,2	50,4	57,6	64,8	72	75,6
65x50 F	m.v.s HK	56,8 6,9	56,4 8,4	54,4 9,8	51 12,4	46 12	39,8 12,8	31,6 13,3			
65x50 E	m.v.s HK	63,1 7,9	62,9 9,5	61,2 11	58,1 12,4	53,7 13,6	48,1 14,6	40,7 15,4			
65x50 D	m.v.s HK	69,9 9,1	69,5 10,9	68,2 12,5	65,5 14,1	61,4 15,5	56,3 16,6	49,2 17,7	39,6 18,4		
65x50 C	m.v.s HK	76,4 10,5	75,9 12,2	74,6 14,1	72,2 15,8	68,7 17,3	64 18,6	57,8 19,9	49,1 20,8		
65x50 B	m.v.s HK	83,6 11,8	83,2 13,9	82 18,6	79,9 17,7	76,6 19,4	72 20,9	66,1 22,3	58,4 23,4	49 24,5	
65x50 A	m.v.s HK	89,9 13,5	89,4 15,5	88,3 17,7	86,5 19,6	83,6 21,5	79,9 23,3	74,6 25	68 26,4	59 27,5	53,4 27,9

50 1600 620

### MEC-A 3/65 2900 omdr. Til 15-40 HK el-motor

Ydelse m3/time

Type		14,4	21,6	28,8	36	43,2	50,4	54	72	90	108
80x65 F	m.v.s HK			56,7 11,7	56,1 12,9	55,3 14,1	54,1 15,1	53,4 15,6	48,6 17,8	42,1 19,6	
80x65 E	m.v.s HK			63 13,2	62,4 14,6	61,7 15,9	60,6 17,1	59,9 17,7	55,7 20,3	49,8 22,4	
80x65 D	m.v.s HK				69,3 16,5	68,6 18	67,6 19,3	67 20	63,2 23,1	57,6 25,6	
80x65 C	m.v.s HK				75,6 18,5	75,1 20,1	74,3 21,6	73,8 22,4	70,4 25,9	64,8 28,7	53,9 30,7
80x65 B	m.v.s HK				82,6 20,8	82,3 22,7	81,7 24,3	81,3 25,3	78,3 29,2	73,4 32,9	62,7 35
80x65 A	m.v.s HK				89,5 23,5	89,2 25,4	88,6 27,3	88,2 28,3	85,7 32,9	81,7 37,1	72,9 40,4

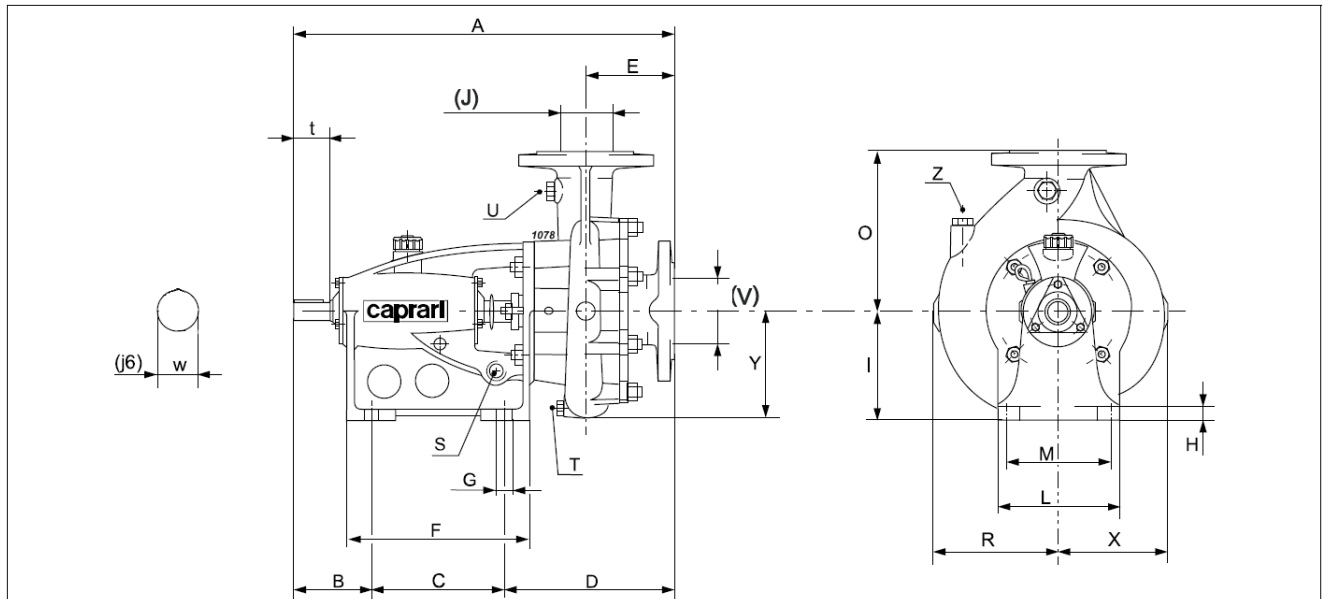
50 1600 625

Ydelse m3/time

Type		57,6	72	90	108	126	144	162	180	198	205
100x80 F	m.v.s HK	59,4 20,1	57,9 22,6	55,5 25,3	52,8 27,9	49,5 30	45,5 32,2	40,5 33,9			
100x80 E	m.v.s HK	66,1 23	65,1 25,7	63,2 29,1	60,7 32	57,6 34,5	54,2 37	49,8 39,5			
100x80 D	m.v.s HK		71,9 29	70,4 32,9	68,4 36,3	65,8 39,5	62,7 42,3	59,2 45	53,5 48		
100x80 C	m.v.s HK		78,8 32,5	77,6 36,7	75,8 40,7	73,3 44,2	70,6 47,6	67,5 50,9	62,8 54		
100x80 B	m.v.s HK		86,2 40,3	85,2 41,2	83,4 45,4	81,1 49,4	78,4 53,2	75,2 56,7	70,7 60,2	62,1 63,2	
100x80 A	m.v.s HK		93,9 40,8	92,7 45,5	90,8 50,2	88,6 54,5	86,1 58,6	83 62,7	78,5 66,8	71 70,6	67 71,7

50 1600 630

## SPECIFIKATIONER TYPE MEC-A



Type	Weight	[mm]																					
		A	B	C	D	E	F	G	H	I	J	L	M	O	R	S	T	U	V	W	X	Y	Z
MEC-A 3/50	54	533	124	185	224	115	255	19	16	160	50	180	150	250	175	G 3/8"	G 3/8"	G 3/8"	65	24	164	170	G 3/8"
MEC-A 3/65	60	538	124	185	229	120	255	19	16	160	65	180	150	275	188	G 3/8"	G 3/8"	G 3/8"	80	24	168	180	G 3/8"
MEC-A 3/80	86	669	152	240	277	148	330	22	19	200	80	215	180	300	204	G 3/8"	G 3/8"	G 3/8"	100	32	180	191	G 3/8"

Tabel Afdrejning	3/50	3/65	3/80
A løbehjul	Ø260 mm	Ø260 mm	Ø260 mm
B løbehjul	Ø250 mm	Ø250 mm	Ø250 mm
C løbehjul	Ø242 mm	Ø240 mm	Ø240 mm
D løbehjul	Ø235 mm	Ø230 mm	Ø230 mm
E løbehjul	Ø226 mm	Ø220 mm	Ø220 mm

## CAPRARI MEC-MR PUMPER FOR SAMMENBYGNING

### MEC-MR 65-3/2 2900 omdr. Til 40-75 HK el-motor

Varenr.

Ydelse m3/time

Type		57,6	64,8	72	79,2	86,4	93,6	108	126	136,8	
80X65 G	m.v.s HK	103,1 32,5	99,6 34,4	95,4 36,2	90,8 37,8	85,7 39,3	80,2 40,5	67,5 42,7			
80x65 E	m.v.s HK	113,8 35,8	110,5 37,8	106,8 39,7	102,4 41,6	97,8 43,2	92,5 44,9	81,3 47,7			
80x65 C	m.v.s HK	126,7 40,3	123,6 42,7	120,1 44,9	116,2 47,0	111,7 49,0	106,8 50,7	95,4 53,7	78,2 56,0		
80x65 A	m.v.s HK	140,5 45,6	137,7 48,3	134,5 50,7	130,8 53,4	126,8 55,8	122,3 57,9	111,3 61,3	94,7 64,0	83,3 65,3	50 1600 720

### MEC-MR 80-3/2 2900 omdr. Til 40-125 HK el-motor

Ydelse m3/time

Type		54	72	90	108	126	144	162	180	216	
100x80 G	m.v.s HK	110,2 38,9	108 43,5	104,9 48,1	100,6 52,5	94,7 56,7	87,4 60,4	78,8 63,6	69,5 66,4		
100x80 E	m.v.s HK	123,4 44,9	120,6 49,8	117 54,3	112,3 58,9	106,4 63,6	99,4 68,1	91,5 72,4	82,4 76,4		
100x80 C	m.v.s HK	136,6 52,0	134,4 57,4	131,5 62,8	127,5 68,1	122,4 73,7	116,4 79,3	109,4 85,0	101,1 90,8		
100x80 A	m.v.s HK	149,3 59,4	147,4 66,1	145,5 72,4	143,2 79,2	139,7 85,5	134,4 91,9	127,1 98,3	117,9 104,7	98,1 116,8	50 1600 725

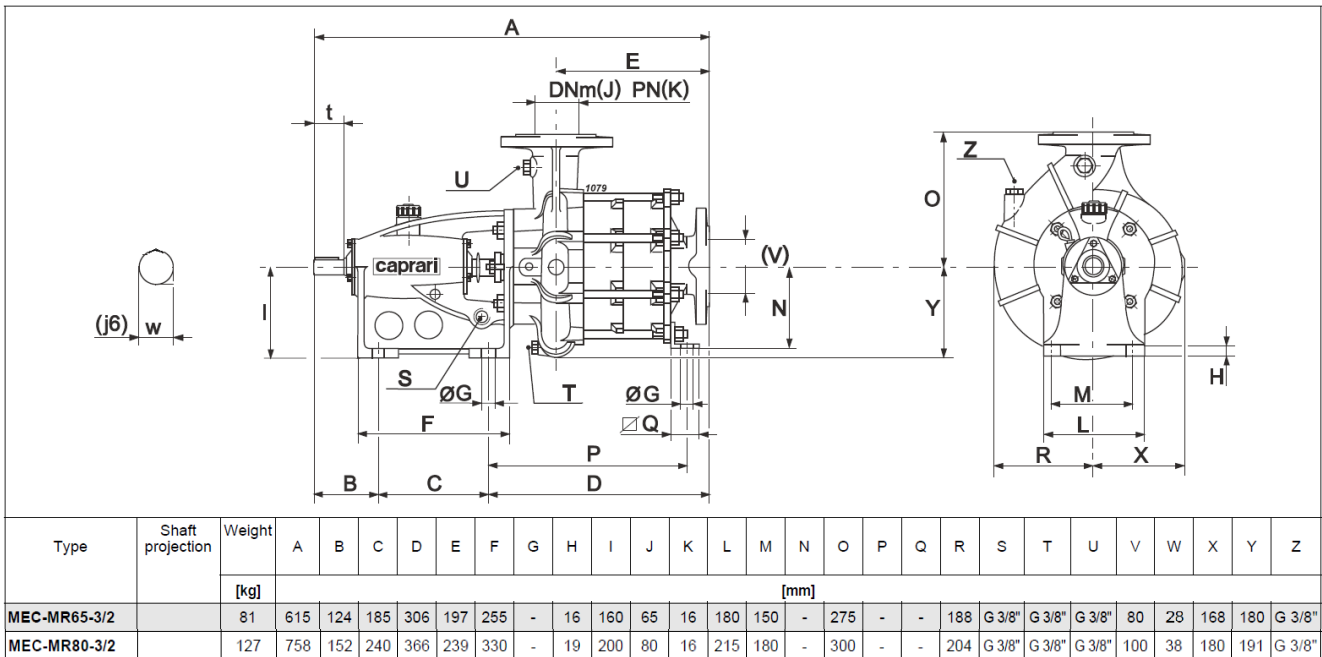
MEC-A



MEC-MR



## SPECIFIKATIONER TYPE MEC-MR



Tabel Afdrejning	65-3/2	80-3/2
A løbehjul	Ø260 / Ø205	Ø260 / Ø205
C løbehjul	Ø240 / Ø205	Ø240 / Ø205
E løbehjul	Ø220 / Ø205	Ø220 / Ø205
G løbehjul	Ø220 / Ø195,5	Ø220 / Ø190

ROVATTI CENTRIFUGALPUMPER															MEKV		
KOMPLET MED MOTOR															Varenr.		
Type	Motor		Ydelse m <sup>3</sup> /t														
	HK	KW	24	27	30	33	36	39	45	48	54	60	66	72	75	84	
Løftehøjde m.v.s.																	
ME10KV 65-32/2	10	7,5	66	62	59	55	51	46	35								50 1650 010
ME15KV 65-32/3	15	11	98	93	89	83	77	70	54								50 1650 015
ME20KV 65-42/3	20	15	104	103	101	97	93	89	79	74	61	44					50 1650 020
ME25KV 80-60/2P	25	18,5	89	88	88	87	87	86	84	83	79	75	71	66	62		50 1650 025
ME30KV 80-60/2P	30	22					105	104	103	102	99	95	90	84	81		50 1650 030
Type	Motor		Ydelse m <sup>3</sup> /t														
	HK	KW	30	33	36	39	45	48	54	60	66	72	75	84	90	96	
Løftehøjde m.v.s.																	
ME40KV 80-60/3P	40	30						131	125	119	112	104	100				50 1650 040
ME40KV 80-90/2P	40	30						101	100	99	98	95	94	90			50 1650 045
ME50KV 80-90/2P	50	37								114	112	111	110	106	102	98	50 1650 050
PUMPE ALENE															Varenr.		
Type	Motor		Ydelse m <sup>3</sup> /t – M.V.S														
	HK	KW	24	27	30	33	36	39	45	48	54	60	66	72	75	84	
ME10KV 65-32/2	10	7,5	66	62	59	55	51	46	35								50 1650 510
ME15KV 65-32/3	15	11	98	93	89	83	77	70	54								50 1650 515
ME20KV 65-42/3	20	15	104	103	101	97	93	89	79	74	61	44					50 1650 520
ME25KV 80-60/2P	25	18,5	89	88	88	87	87	86	84	83	79	75	71	66	62		50 1650 525
ME30KV 80-60/2P	30	22					105	104	103	102	99	95	90	84	81		50 1650 530
Type	Motor		Ydelse m <sup>3</sup> /t														
	HK	KW	45	48	54	60	66	72	75	84	90	96					
ME40KV 80-60/3P	40	30					131	125	119	112	104	100					50 1650 540
ME40KV 80-90/2P	40	30					101	100	99	98	95	94	90				50 1650 545
ME50KV 80-90/2P	50	37							114	112	111	110	106	102	98		50 1650 550

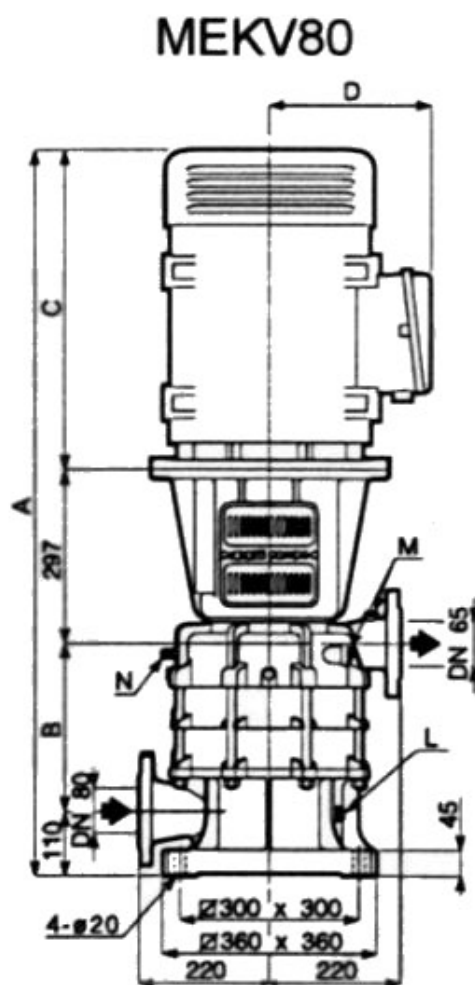
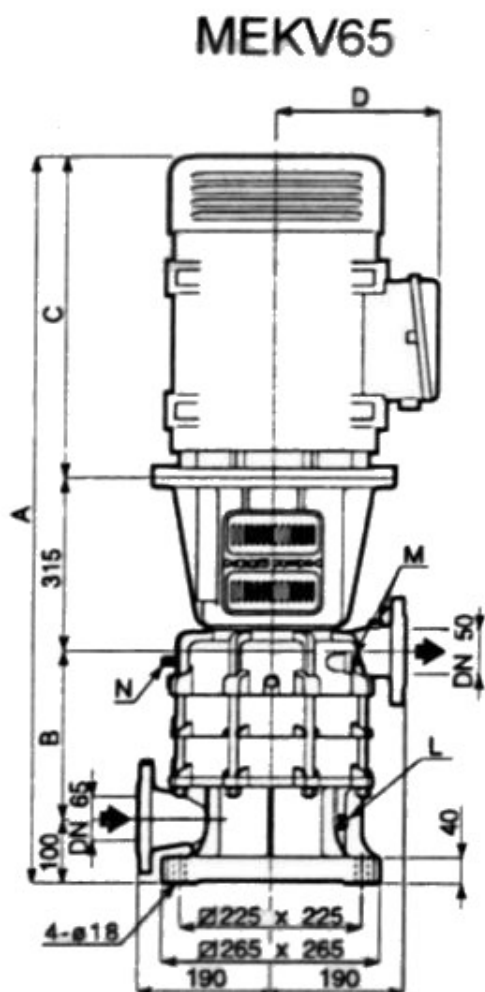


## SPECIFIKATIONER

## MEKV

### Målskitse

Type	Flangedim		A	B	C	D
	Sug	Tryk				
ME10KV65-32/2	65	50	900	120	365	178
ME15KV65-32/3	65	50	1000	180	405	178
ME20KV65-42/3	65	50	1090	180	495	230
ME25KV80-60/2P	80	65	1075	203	465	182
ME30KV80-60/2P	80	65	1108	203	498	242
ME40KV80-60/3P	80	65	1178	273	498	242
ME40KV80-90/2P	80	65	1108	203	498	242
ME50KV80-90/2P	80	65	1133	203	523	242

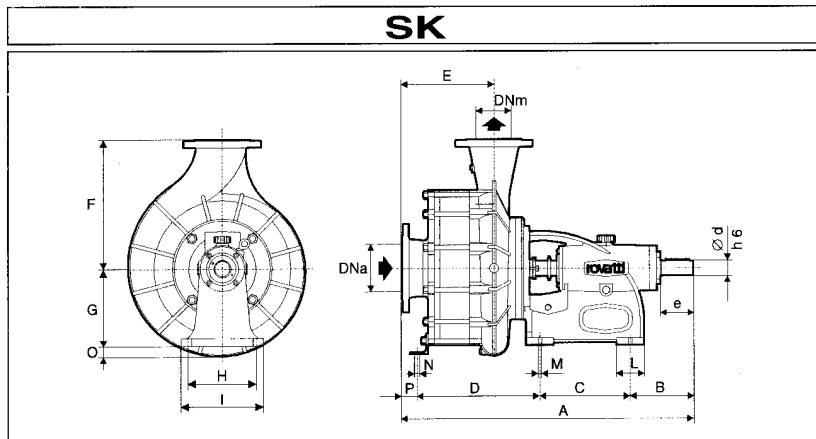


**ROVATTI SK-PUMPER FOR SAMMENBYGNING**

S2 K65/2 til 20-25-30-40-50 HK elmotor 2900 omdr.											Varenr.	
Ydelse m3/time												
Type		21	24	27	30	36	42	48	54	60		
S2K65/2 M	m.v.s HK	89 14,5	88 15,5	86 16,5	85 17,6	80 19,5	75 21	69 22,5	60 23,7	43 24,2	50 1654 230	
S2K65/2 L	m.v.s. HK	99 16,2	98 17,4	96 18,4	95 19,5	91 21,5	86 23,3	80 25	72 26,5	62 27,5	50 1654 225	
S2K65/2 I	m.v.s. HK	110 18,5	109 19,8	107 21	106 22,5	103 24,8	99 27	93 28,5	84 30,2	75 31,8	50 1654 220	
S2K65/2 H	m.v.s. HK	124 20,5	123 22	121 23,3	120 24,4	116 27	111 29,5	105 31,5	96 33,2	85 34,5	50 1654 215	
S2K65/2 G	m.v.s. HK	130 22	129 23,8	127 25,3	126 26,7	122 29,2	117 31,5	112 33,8	103 35,8	92 37,5	50 1654 210	
S2K65/2 F	m.v.s. HK	136 24	135 25,8	134 27,4	132 28,8	129 31,8	125 34,7	120 37,2	112 39,3	103 41,3	50 1654 205	
S2K65/2 E	m.v.s. HK	146 26,7	145 28,5	144 30	142 31,5	139 34,5	134 37	129 39,2	122 41,5	113 43,3	50 1654 200	



## SPECIFIKATIONER TYPE SK



FLANGIA - FLANGE - BRIDE				
DN	D <sub>1</sub>	D <sub>2</sub>	n. fori Hole n. n. trous	D <sub>3</sub>
40	150	110	4	18
50	165	125	4	18
65	185	145	4	18
80	200	160	4	18
100	220	180	8	18
125	250	210	8	18
150	285	240	8	18

POMPA TIPO PUMP TYPE POMPE TYPE	BOCCHIE PORTS ORIFICES		DIMENSIONI D'INGOMBRO mm OVERALL DIMENSIONS mm DIMENSIONS D'ENCOMBREMENT mm														ALBERO mm SHAFT mm ARBRE mm				PESO WEIGHT MASSE kg
	DNa	DNm	A	B	C	D	E	F	G	H	I	L	M	N	O	P	d	e	u	t	
S2 K65/2	65	50	575	119	175	-	190	240	160	145	175	60	16	-	10	-	28	60	8	31	68



## ROVATTI SK-PUMPER FOR SAMMENBYGNING

### S2K80/2 TIL 25-30-40-50HK ELMOTOR 2900 OMDR.

Varenr.

Ydelse m3/time

Type		42	48	54	60	66	72	84	96	
S2K80/2 M	m.v.s. HK	85 22,8	84 24	82 25,7	79 27	76 28	72,5 29,3	65 31,3	55 32,3	50 1654 430
S2K80/2 L	m.v.s. HK	97 26	96 28	94 29,7	91 31	88 32,3	84 34	77 36	68 38	50 1654 425
S2K80/2 I	m.v.s. HK	109 26,6	108 31,8	106 33,7	104 35,6	101 36,8	98 38	91 41	83 43,3	50 1654 420
S2K80/2 H	m.v.s. HK	122 33,7	120 36	118 38	116 40	113 42	110 44	104 47,5	95 50	50 1654 415
S2K80/2 G	m.v.s. HK	127 35,7	126 38,2	124 40,4	122 42,8	120 44,8	117 46,8	110 50,5		50 1654 410
S2K80/2 F	m.v.s. HK	135 38,5	134 41,3	132 43,8	130 46	128 48	125 50,0			50 1654 405
S2K80/2 E	m.v.s. HK	142 41,5	141 44,2	140 46,7	138 49,3					50 1654 400

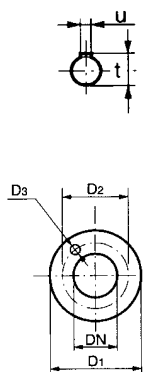
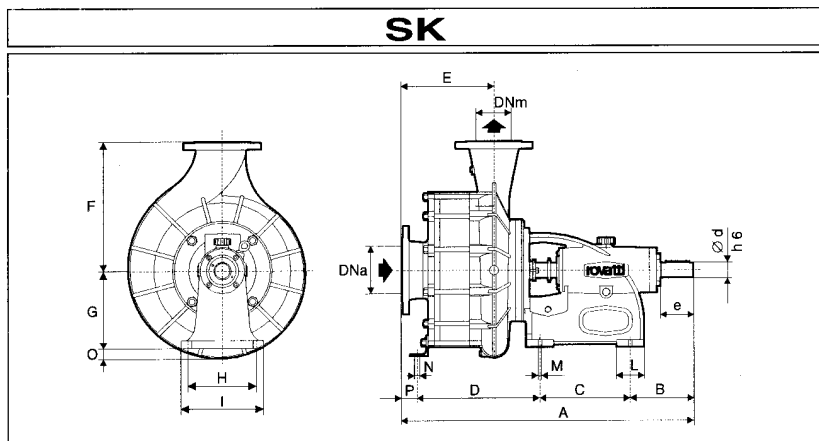
### S2K80/2-E TIL SAMMENBYGN. M/DIESELMOTOR

Ydelse m3/time

Omdr.		36	42	48	54	60	66	72	84	
2000	m.v.s. HK	67,4 15	66 16	64,5 17,2	62,3 18,2	60 19,3	57 20,2	54 21	47 22	50 1654 400
2300	m.v.s. HK	88,3 22,7	87,7 24,1	85 25,6	82,5 27	80 28,4	76,7 29,7	69,7 32	61,7 33,6	
2600	m.v.s. HK	114 30,3	113 32,4	111 34,4	109 36,3	106 38	103 39,2	96,5 43	88 45,8	
2900	m.v.s. HK	142 41,2	141 44,2	140 46,7	138 49,3					



## SPECIFIKATIONER TYPE SK



FLANGIA - FLANGE - BRIDE				
DN	D <sub>1</sub>	D <sub>2</sub>	n. fori Hole n. n. trous	D <sub>3</sub>
40	150	110	4	18
50	165	125	4	18
65	185	145	4	18
80	200	160	4	18
100	220	180	8	18
125	250	210	8	18
150	285	240	8	18

POMPA TIPO PUMP TYPE POMPE TYPE	BOCCHE PORTS ORIFICES		DIMENSIONI D'INGOMBRO mm OVERALL DIMENSIONS mm DIMENSIONS D'ENCOMBREMENT mm														ALBERO mm SHAFT mm ARBRE mm				PESO WEIGHT MASSE kg
	DNa	DNm	A	B	C	D	E	F	G	H	I	L	M	N	O	P	d	e	u	t	
<b>S2 K80/2</b>	80	65	582	119	175	-	195	260	160	145	175	60	16	-	21	-	28	60	8	31	71

## ROVATTI SK-PUMPER FOR SAMMENBYGNING

### S3K100/2-E TIL SAMMENBYGN. M/DIESELMOTOR

Varenr.

Ydelse m3/time

Omdr		42	48	54	60	72	84	96	108	120	132	144	156
1450	m.v.s. HK	62 17	61,5 18	61 19,2	60,2 20,2	58 23,2	55,7 24,3	53 26,3	49,7 28	45,7 29,5	41 31		
1600	m.v.s. HK	76 22,2	75,7 23,5	75,2 25	74,7 26,4	72,7 28,7	70,3 31,5	67,6 33,8	64,5 36	61 38	56,3 40	50,5 42	
1800	m.v.s. HK		96 31,5	95,5 33,5	95 35,2	93 38,2	91 41,7	88 44,8	85 47,8	81 50,5	77 53,3	72,4 55,5	
2000	m.v.s. HK		120 41	120 43	120 45,6	118 50	116 55	114 58,8	110 63	107 67	102 70	97 73,6	92 76
2200	m.v.s. HK		139 53,6	139 56,4	138 59,3	137 64,7	135 69,7	131 74,4	126 78,4	117 82,2	100 85		
2400	m.v.s. HK		165 67	165 70,2	164 73,4	163 79,4	162 86,6	159 97,8	155 97,7	148 102	128 106		

50 1654 700

### S3K100/3-E TIL SAMMENBYGN. M/DIESELMOTOR

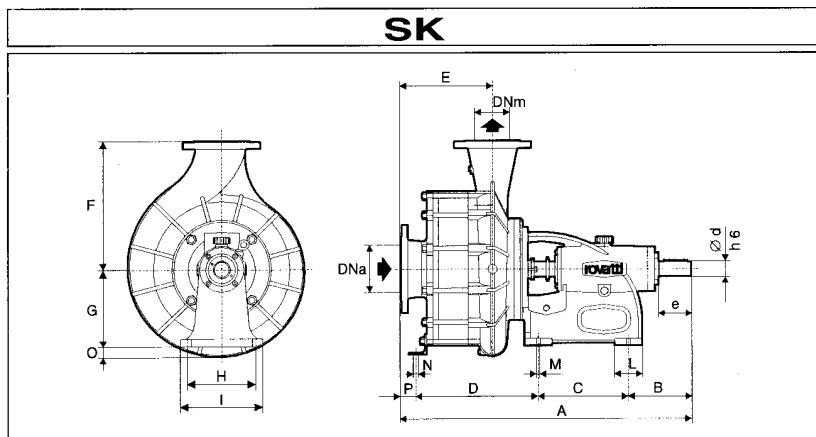
Ydelse m3/time

Omdr		42	48	54	60	72	84	96	108	120	132	144	156
1450	m.v.s. HK	87,3 23,8	86,8 25,5	86 27	85 28,6	82 31,6	79 34	74,5 37	69 39,2	63 41,2	56,5 43		
1600	m.v.s. HK	106 30,3	106 32,6	105 34,5	104 36,5	102 40,5	98,4 44	94 48	88,5 51	82,5 53,5	75 56	67 58	
1800	m.v.s. HK		134 43,5	133 46	132 48,6	135 53,5	127 58	123 62,5	118 66,8	112 70,8	106 74,5	99 78	
2000	m.v.s. HK		165 57	164 59,5	164 63,3	162 69,5	159 75	156 81	151 87	146 92	140 97,5	133 102	123 106

50 1654 750



## SPECIFIKATIONER TYPE SK



FLANGIA - FLANGE - BRIDE				
DN	D <sub>1</sub>	D <sub>2</sub>	n. fori Hole n. n. trous	D <sub>3</sub>
40	150	110	4	18
50	165	125	4	18
65	185	145	4	18
80	200	160	4	18
100	220	180	8	18
125	250	210	8	18
150	285	240	8	18

POMPA TIPO PUMP TYPE POMPE TYPE	BOCCHIE PORTS ORIFICES		DIMENSIONI D'INGOMBRO mm OVERALL DIMENSIONS mm DIMENSIONS D'ENCOMBREMENT mm													ALBERO mm SHAFT mm ARBRE mm				PESO WEIGHT MASSE kg	
	DNa	DNm	A	B	C	D	E	F	G	H	I	L	M	N	O	P	d	e	u		t
S3 K100/2	100	80	716	148	230	-	237	330	200	175	210	70	19	-	25	-	38	80	10	41,5	118
S3 K100/3	100	80	813	148	230	384	334	330	200	175	210	70	19	16	25	51	38	80	10	41,5	149

## PUMPER FOR SAMMENBYGNING M/ DIESELMOTOR

### OCMIS MFO 80 S

Varenr.

Ydelse m<sup>3</sup>/t

		30	40	50	60	80	100	120					
1440	m.v.s.	113	114	114	111	105	101	86					
	HK	25	33	37	40	50	55	58					
1520	m.v.s.	130	131	131	128	122	118	107					
	HK	29	37	42	45	57	67	72					

50 1720 585

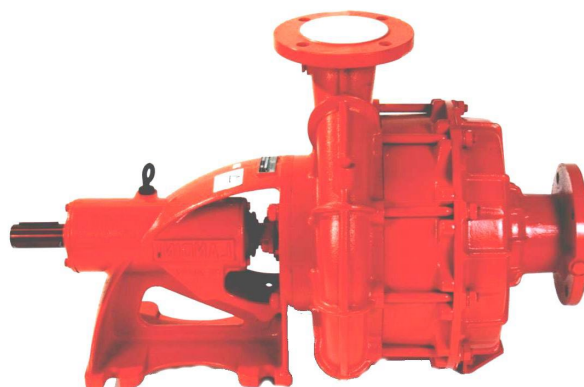


### LANDINI MS80/3A

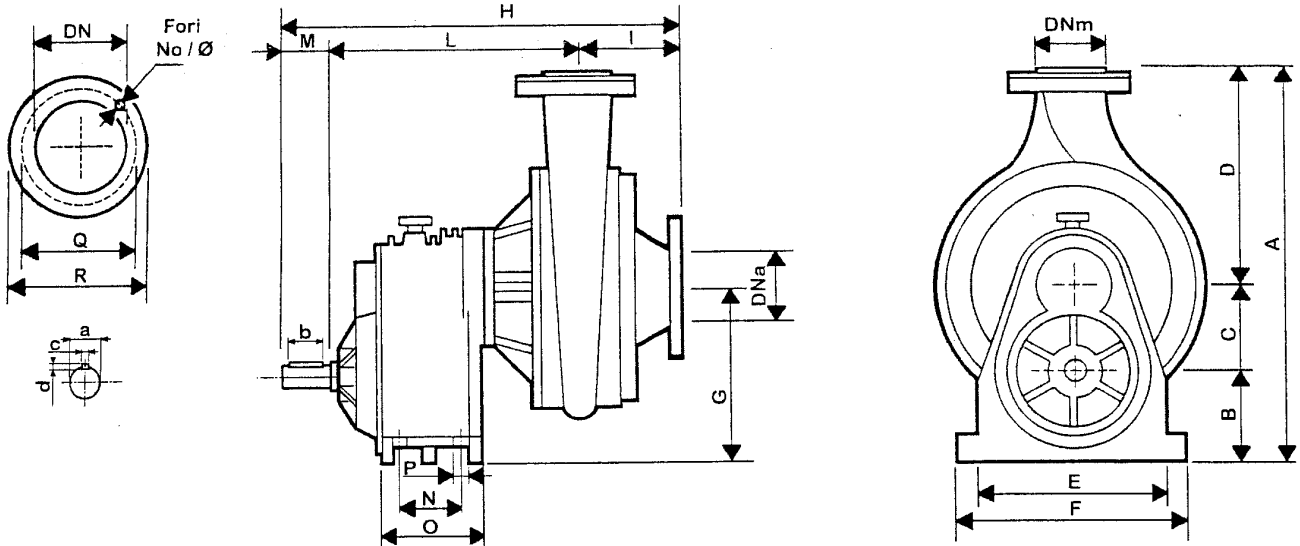
Ydelse m<sup>3</sup>/t

Omdr.		48	54	60	66	72	84	96	108	120	135	150	
1450	m.v.s.	82,5	82	80	79	77	72,5	67	62	54,5	44,5		
	HK	24,7	26	27	28,4	29,5	32	34,5	36	38	39,5		
1750	m.v.s.	122	121	120	118	117	113	108	102	96	87	76	
	HK	39	41	43,5	45	47	51	54	58	61	64	67	
2000	m.v.s.	160	159	158	157	155	151	147	142	136	128	118	
	HK	55,4	58	61	63	66	70,4	75,5	80,4	85	90	95	

50 1704 830



## SPECIFIKATIONER

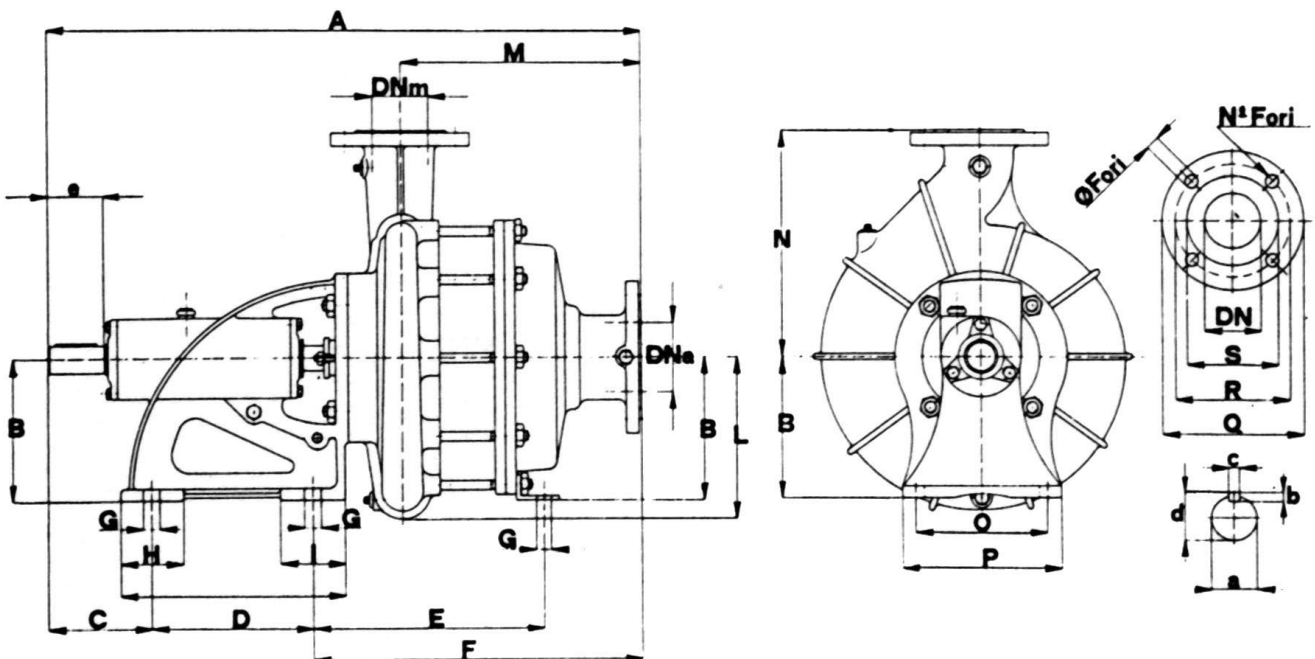


### Målskitse MFO 80S

Typ	DNA	DNM	A	B	C	D	E	F	G	H	I	L	M	N	O	P	a	d	c	Kg
80 S	85	65	505	140	127	238	310	285	267	495	110	305	80	74	110	14	32	8	8	70

### Målskitse MS 80/3

Typ	DNA	DNM	A	B	C	D	E	F	G	H	I	L	M	N	O	P	e	a	d	cx	cb	Kg
80/3	100	80	856	205	151	240	349	465	18	90	90	221	343	330	195	230	80	38	41,5	10x8		150



## LANDINI BORERØRSPUMPER

### D7B/100/6/24

Ydelse m<sup>3</sup>/t

	48	60	66	72	78	84	90	96
m.v.s.	114,8	112	108	103	97,6	92	84	73,3
HK	36,7	39,7	41	42,3	42,8	43,7	44	43,6

**Max . Diameter: 175mm**

Pumpe komplet for traktordrift

Bestående af:

1 stk. Pumpe D7B/100/6/24

3 stk. Flangerør m/aksel 4" x 3 mtr. LA 100/24

1 stk. Sugerør 4" x 3 mtr. TA 100

1 stk. Bundventil VF 100

1 stk. Vinkelgear MG 100/24 - Udveksling 1:5,97=485 omdr. PTO

Andre udvekslingsforhold kan tilbydes.

Ekstra tilbehør:

Monteringsbeslag TS 100/1

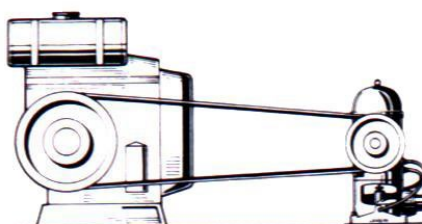
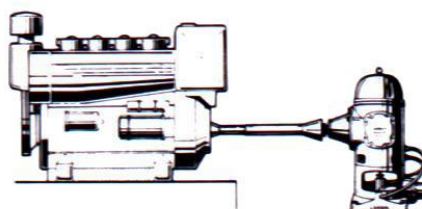
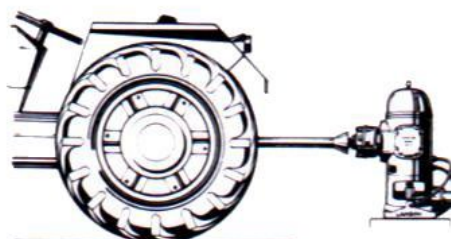
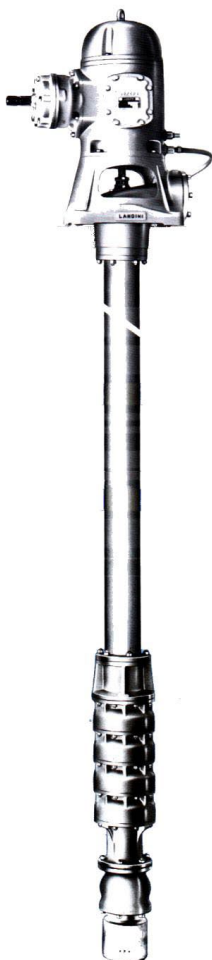
Ekstra flangerør m/aksel 4" x 3 mtr. LA 100/24

Varenr.

50 1705 140

50 1705 910

50 1705 714







## OCMIS TRAKTORPUMPE

### OCMIS TNO 80 S - ALENE

Varenr.

Ydelse m<sup>3</sup>/t

Rpm		30	40	50	60	80	100	120				
	m.v.s.	130	131	131	128	122	118	107				
540	HK	29	37	42	45	57	67	72				

50 1720 595

Udveksling 1 : 7,0

### PUMPE KOMPLET MED:

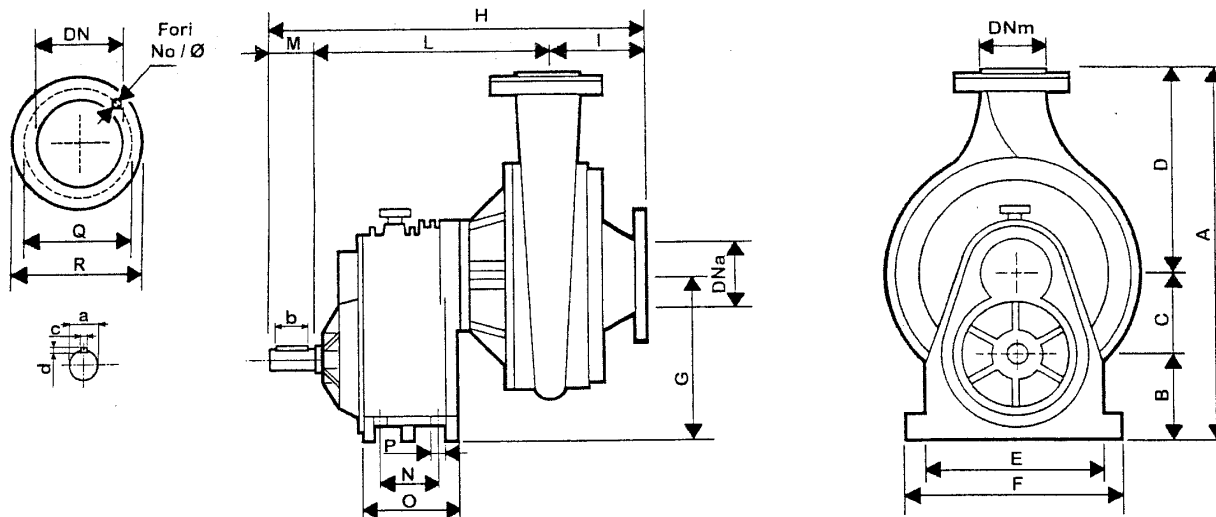
Trepunktstel, Ansugningspumpe, HK bæger på sugeside,  
 HK kobling på trykside, skydeventil, kontraventil og manometer

Type	Sugeside	Trykside
TNO 80 S	108 HK Bæger	89 HK Kobling

50 1720 095








## SPECIFIKATIONER



### Målskitse TNO 80S

Typ e	DNA	DNM	A	B	C	D	E	F	G	H	I	L	M	N	O	P	a	d	c	Kg
80 S	85	65	505	140	127	238	310	285	267	495	110	305	80	74	110	14	13/8			70

TILBEHØR TIL TRAKTORPUMPER			
	<b>SUGESTUDS</b>  Bestående af: Flange med bolte, pakninger og HK bæger	Varenr.	
	NW 65 x 89 mm HK bæger	50 1750 065	
	NW 65 x 108 mm HK bæger	50 1750 070	
	NW 80 x 108 mm HK bæger	50 1750 080	
	NW 100 x 108 mm HK bæger	50 1750 100	
	<b>TRYKSTUDS</b>  Bestående af: Flange med bolte og pakning, bøjning, kontraventil, HK-kobling, skydeventil, pressostatrør og manometer.		
	NW 50 x 76 mm HK kobling	50 1750 350	
	NW 50 x 89 mm HK kobling	50 1750 355	
	NW 65 x 89 mm HK kobling	50 1750 365	
	NW 65 x 108 mm HK kobling	50 1750 370	
NW 80 x 108 mm HK kobling	50 1750 380		
	<b>PUMPESTEL</b>  Kraftig og robust model		
	Stel for traktorophæng	50 1750 550	
	<b>ANSUGNINGSPUMPE</b>  Pumpe, alene - Rovatti	50 1750 610	
	Pumpe, komplet inkl: Studs, slange, skydev. fittings og spændebånd	50 1750 600	
	<b>SUGEKURV M/SLANGESTUDS</b>  Galvaniseret med slangestuds og bundventil		
	75 mm slangestuds	50 1752 075	
	89 mm slangestuds	50 1752 089	
	100 mm slangestuds	50 1752 100	
	125 mm slangestuds	50 1752 125	
	150 mm slangestuds	50 1752 150	
200 mm slangestuds	50 1752 200		



## ELMOTORER 2-POLET

## 3000 OMDR

3-fasede standardmotorer efter IE3 norm  
 400-660V - 50HZ.  
 Beskyttelsesgrad IP55, Isolationsklasse F

### FODMOTOR B3



HK	KW	IEC str.	Aksel mm	Varenr.
1,0	0,75	80	19	50 1800 162
1,5	1,1	80	19	50 1800 191
2,0	1,5	90S	24	50 1800 227
3,0	2,2	90L	24	50 1800 256
4,0	3,0	100L	28	50 1800 285
5,5	4,0	112M	28	50 1800 312
7,5	5,5	132S	38	50 1800 349
10,0	7,5	132S	38	50 1800 378
15,0	11,0	160M	42	50 1800 433
20,0	15,0	160M	42	50 1800 462
25,0	18,5	160L	42	50 1800 491
30,0	22,0	180M	48	50 1800 527
40,0	30,0	200L	55	50 1800 556
50,0	37,0	200L	55	50 1800 585
60,0	45,0	225M	55	50 1800 611

Motorer til og med 40HK (30 KW)  
 er i aluminium. Øvrige i støbejern.

### FLANGEMOTOR B5/B14



HK	KW	IEC str.	Aksel mm	Varenr.
1,0	0,75	80	19	50 1800 175/188
1,5	1,1	80	19	50 1800 201/214
2,0	1,5	90S	24	50 1800 240/243
3,0	2,2	90L	24	50 1800 269/272
4,0	3,0	100L	28	50 1800 298/308
5,5	4,0	112M	28	50 1800 324/337
7,5	5,5	132S	38	50 1800 352
10,0	7,5	132S	38	50 1800 381
15,0	11,0	160M	42	50 1800 446
20,0	15,0	160M	42	50 1800 475
25,0	18,5	160L	42	50 1800 501
30,0	22,0	180M	48	50 1800 530
40,0	30,0	200L	55	50 1800 560
50,0	37,0	200L	55	50 1800 598
60,0	45,0	225S/M	55	50 1800 624

Motorer til og med 40HK (30 KW)  
 er i aluminium. Øvrige i støbejern.

## TEKNISKE DATA

Motor type	Power kw	Speed rpm	Current at 400V		Efficiency (%)			Pf cos φ	Torque			IM J(kg <sup>m</sup> ²)	Weight kg
			I <sub>N</sub> (A)	I <sub>s</sub> /I <sub>N</sub>	1/1 load	3/4 load	1/2 load		T <sub>N</sub>	T <sub>s</sub> /T <sub>N</sub>	T <sub>M</sub> /T <sub>N</sub>		
Aluminium motors													
HMA2 56 1-2	0,09	2720	0,35	6,0	62	59	55	0,68	0,31	2,3	2,4	0,00010	3,7
HMA2 56 2-2	0,12	2720	0,38	6,0	67	64	60	0,71	0,43	2,3	2,4	0,00012	3,9
HMA2 63 1-2	0,18	2720	0,53	6,0	69	67	64	0,75	0,63	2,2	2,4	0,00013	4,1
HMA2 63 2-2	0,25	2720	0,75	6,0	68	66	63	0,76	0,88	2,2	2,4	0,00015	4,6
HMA2 71 1-2	0,37	2730	0,95	6,0	70	69	67	0,82	1,3	2,2	2,4	0,00044	6,0
HMA2 71 2-2	0,55	2730	1,33	6,0	73	72	70	0,82	1,9	2,2	2,4	0,00055	6,5
HMA2 80 1-2	0,75	2850	1,7	7,5	81,4	81,2	78,3	0,81	2,5	2,5	3,2	0,0011	9,0
HMA2 80 2-2	1,1	2880	2,3	7,7	80,9	79,9	76,1	0,82	3,6	3,2	3,3	0,0013	11
HMA2 90S-2	1,5	2850	3,1	8,4	83,5	83,0	80,2	0,85	4,9	2,9	3,1	0,0018	15
HMA2 90L-2	2,2	2850	4,4	8,5	85,7	85,8	83,9	0,85	7,2	2,9	3,2	0,0022	17
HMA2 100L-2	3,0	2890	5,8	8,7	85,7	85,5	83,4	0,87	9,9	3,1	3,5	0,0043	23
HMA2 112M1-2	4,0	2900	7,5	8,4	87,0	87,1	85,4	0,90	13	3,2	3,4	0,0065	32
HMA2 132S1-2	5,5	2880	10,5	8,4	87,0	86,3	83,6	0,89	18	2,4	3,5	0,015	45
HMA2 132S2-2	7,5	2900	13,5	8,4	88,1	87,6	85,3	0,90	25	2,4	3,5	0,016	51
Cast iron motors													
HMC2 160M1-2	11	2930	20	7,9	89,4	89,3	87,5	0,89	36	2,2	2,3	0,040	123
HMC2 160M2-2	15	2930	27	8,0	90,3	90,3	89,2	0,89	49	2,2	2,3	0,047	132
HMC2 160L-2	18,5	2930	33	8,1	90,9	91,3	90,4	0,89	60	2,2	2,3	0,058	151
HMC2 180M-2	22	2940	39	8,2	91,3	91,1	89,7	0,89	71	2,2	2,3	0,079	203
HMC2 200L1-2	30	2950	53	7,5	92,0	92,2	90,7	0,89	97	2,2	2,3	0,130	246
HMC2 200L2-2	37	2950	65	7,5	92,5	92,7	90,1	0,89	119	2,2	2,3	0,146	256
HMC2 225M-2	45	2960	78	7,6	92,9	92,4	90,5	0,89	145	2,2	2,3	0,246	328
HMC2 225M1-2*	55	2960	96	10,2	93,2	93,1	92,3	0,89	177	2,0	2,3	0,337	355
HMC2 250M-2	55	2970	96	7,6	93,2	92,7	90,8	0,89	177	2,2	2,3	0,328	433
HMC2 250M1-2*	75	2970	130	9,0	93,8	93,7	92,8	0,89	241	2,0	2,3	0,602	433
HMC2 280S-2	75	2970	129	6,9	93,8	93,6	92,5	0,89	240	2,0	2,3	0,627	572
HMC2 280M-2	90	2970	155	7,0	94,1	93,9	92,8	0,89	289	2,0	2,3	0,709	632
HMC2 315S-2	110	2980	187	7,1	94,3	94,0	92,8	0,90	352	2,0	2,2	1,124	850
HMC2 315M-2	132	2980	223	7,1	94,6	94,0	92,8	0,90	425	2,0	2,2	1,91	930
HMC2 315L1-2	160	2980	267	7,1	94,8	94,1	92,9	0,91	513	2,0	2,2	2,18	1020
HMC2 315L2-2	200	2980	334	7,1	95,0	94,1	92,9	0,91	640	2,0	2,2	2,53	1120
HMC2 355M-2	250	2980	417	7,1	95,0	94,9	94,5	0,91	800	2,0	2,2	4,52	1820
HMC2 355L1-2	315	2980	526	7,1	95,0	94,9	94,5	0,91	1010	2,0	2,2	5,35	1850
HMC2 355L2-2	355	2980	590	7,1	95,3	95,3	95,0	0,92	1135	1,8	2,2	5,10	2150
HMC2 400M2-2	400	2980	675	7,1	95,5	95,5	95,2	0,92	1280	1,8	2,2	5,57	2950
HMC2 400M3-2	450	2980	755	7,1	95,5	95,5	95,2	0,92	1430	1,8	2,2	7,05	3200
HMC2 400L1-2	500	2985	830	7,0	95,8	95,8	95,5	0,92	1595	1,8	2,2	7,10	3250
HMC2 400L2-2	560	2985	930	7,0	95,8	95,8	95,5	0,92	1780	1,8	2,2	7,15	3300

Data at 400V 50Hz

At 230V 50Hz the current is  $\sqrt{3}$  x current at 400V and at 690V the current is current at 400V /  $\sqrt{3}$ . All other data are identical.

\*Motors with high power / small frame

## ELMOTORER – 4 POLET

## 1500 OMDR

3-fasede standardmotorer efter IE3 norm  
400-660V - 50HZ.  
Beskyttelsesgrad IP55, Isolationsklasse F

### FODMOTOR B3

HK	KW	IEC str.	Aksel mm	Varenr.
1,0	0,75	80	19	50 1801 093
1,5	1,1	90S	24	50 1801 129
2,0	1,5	90L	24	50 1801 158
3,0	2,2	100L	28	50 1801 187
4,0	3,0	100L	28	50 1801 213
5,5	4,0	112M	28	50 1801 242
7,5	5,5	132S	38	50 1801 270
10,0	7,5	132M	38	50 1801 306
15,0	11,0	160M	42	50 1801 364
20,0	15,0	160L	42	50 1801 393
25,0	18,5	180M	48	50 1801 429
30,0	22,0	180L	48	50 1801 458
40,0	30,0	200L	55	50 1801 487
50,0	37,0	200L	55	50 1801 513
60,0	45,0	225S/M	60	50 1801 571

Motorer til og med 40HK (30 KW)  
er i aluminium. øvrige i støbejern.

### FLANGEMOTOR B5/B14

HK	KW	IEC str.	Aksel mm	Flange B5/B14
1,0	0,75	80	19	50 1801 103/116
1,5	1,1	90S	24	50 1801 132/145
2,0	1,5	90L	24	50 1801 161/174
3,0	2,2	100L	28	50 1801 200/210
4,0	3,0	100L	28	50 1801 226/239
5,5	4,0	112M	28	50 1801 255/268
7,5	5,5	132S	38	50 1801 283
10,0	7,5	132M	38	50 1801 319
15,0	11,0	160M	42	50 1801 377
20,0	15,0	160L	42	50 1801 403
25,0	18,5	180M	48	50 1801 432
30,0	22,0	180L	48	50 1801 461
40,0	30,0	200L	55	50 1801 491
50,0	37,0	225S/M	60	50 1801 555
60,0	45,0	225S/M	60	50 1801 584

Motorer til og med 40HK (30 KW)  
er i aluminium. øvrige i støbejern.



## TEKNISKE DATA

Motor type	Power kw	Speed rpm	Current at 400V		Efficiency (%)			Pf cos φ	Torque			IM J(kgm <sup>2</sup> )	Weight kg
			I <sub>N</sub> (A)	I <sub>2</sub> /I <sub>N</sub>	1/1 load	3/4 load	1/2 load		T <sub>N</sub>	T <sub>S</sub> /T <sub>N</sub>	T <sub>M</sub> /T <sub>N</sub>		
Aluminium motors													
HMA2 56 1-4	0,06	1380	0,35	6,0	46	43	38	0,58	0,42	2,3	2,4	0,00020	3,5
HMA2 56 2-4	0,09	1380	0,40	6,0	49	46	41	0,55	0,62	2,3	2,4	0,00021	3,7
HMA2 63 1-4	0,12	1350	0,50	6,0	53	50	45	0,63	0,85	2,2	2,4	0,00025	4,0
HMA2 63 2-4	0,18	1340	0,71	6,0	56	53	48	0,62	1,3	2,2	2,4	0,00028	4,2
HMA2 71 1-4	0,25	1390	0,80	6,0	65	62	58	0,68	1,7	2,2	2,4	0,00044	6,0
HMA2 71 2-4	0,37	1380	1,1	6,0	67	64	60	0,73	2,6	2,2	2,4	0,00054	6,4
HMA2 80 1-4	0,55	1370	1,52	6,0	73	72	68	0,73	3,8	2,2	2,4	0,0012	9,5
HMA2 80 2-4	0,75	1420	1,8	5,9	80,8	81,1	78,8	0,78	5,0	2,5	2,6	0,0017	13
HMA2 90S-4	1,1	1420	2,6	5,5	81,5	81,2	79,6	0,73	7,4	2,5	3,2	0,0023	17
HMA2 90L-4	1,5	1450	3,4	6,6	84,4	83,7	80,6	0,71	9,9	2,7	3,4	0,0031	18
HMA2 100L1-4	2,2	1440	4,6	7,3	85,2	84,8	82,3	0,78	14,5	2,5	3,4	0,0078	26
HMA2 100L2-4	3,0	1440	6,1	7,3	86,3	85,9	83,6	0,77	20	2,6	3,4	0,0087	28
HMA2 112M2-4	4,0	1450	7,9	7,1	86,7	86,9	85,2	0,84	26	2,2	2,9	0,019	37
HMA2 132S-4	5,5	1450	11	7,5	88,4	88,1	86,2	0,80	36	2,3	3,3	0,033	51
HMA2 132M2-4	7,5	1460	15	7,3	88,9	89,1	87,9	0,82	49	2,2	3,2	0,041	62

### Cast iron motors

HMC2 160M-4	11	1460	21	7,5	89,8	89,7	89,2	0,85	72	2,2	2,3	0,078	123
HMC2 160L-4	15	1460	28	7,5	90,6	90,5	87,9	0,86	98	2,2	2,3	0,096	153
HMC2 180M-4	18,5	1470	34	7,7	91,2	91,7	91,0	0,86	120	2,2	2,3	0,146	204
HMC2 180L-4	22	1470	40	7,8	91,6	91,9	91,3	0,86	143	2,2	2,3	0,166	215
HMC2 200L-4	30	1470	54	7,2	92,3	92,8	91,3	0,86	194	2,2	2,3	0,275	243
HMC2 200L1-4*	37	1470	67	8,3	92,7	92,6	91,5	0,86	240	2,2	2,3	0,483	318
HMC2 225S-4	37	1475	67	7,3	92,7	92,8	90,9	0,86	238	2,2	2,3	0,426	305
HMC2 225M-4	45	1475	81	7,4	93,1	93,1	91,3	0,86	290	2,2	2,3	0,492	328
HMC2 225M1-4*	55	1480	98	9,2	93,5	93,4	92,7	0,87	355	2,2	2,3	0,746	365
HMC2 250M-4	55	1480	99	7,4	93,5	93,8	91,5	0,86	354	2,2	2,3	0,693	452
HMC2 250M1-4*	75	1480	134	9,0	94,0	93,9	93,0	0,86	484	2,2	2,3	1,29	452
HMC2 280S-4	75	1485	130	6,7	94,0	94,2	92,4	0,88	483	2,2	2,3	1,18	592
HMC2 280M-4	90	1485	156	6,9	94,2	94,5	92,7	0,88	580	2,2	2,3	1,53	672
HMC2 280MB-4*	110	1480	194	9,3	94,5	94,4	93,6	0,87	710	2,1	2,2	2,87	672
HMC2 315S-4	110	1485	191	6,9	94,5	94,7	94,7	0,88	705	2,2	2,3	3,27	840
HMC2 315M-4	132	1485	228	6,9	94,7	94,9	94,3	0,88	850	2,2	2,3	3,80	930
HMC2 315L1-4	160	1485	273	6,9	94,9	95,2	94,7	0,89	1030	2,2	2,3	4,34	1000
HMC2 315L2-4	200	1485	341	6,9	95,1	95,3	94,8	0,89	1285	2,2	2,3	5,37	1080
HMC2 315L3-4*	250	1480	425	7,3	95,2	95,3	94,7	0,89	1606	2,2	2,4	6,7	1350
HMC2 355M-4	250	1490	421	6,9	95,1	95,5	94,8	0,90	1610	2,2	2,4	8,51	1650
HMC2 355L-4	315	1490	531	7,0	95,1	95,5	94,8	0,90	2025	2,2	2,4	10,8	1830
HMC2 355LB-4	355	1485	600	7,5	95,3	95,5	95,2	0,92	2285	2,2	2,4	12,4	2170
HMC2 400M1-4	400	1490	690	6,9	95,5	95,6	95,4	0,89	2565	1,4	3,0	14,9	3000
HMC2 400M2-4	450	1490	775	6,9	95,5	95,6	95,5	0,89	2885	1,4	3,0	15,2	3100
HMC2 400L1-4	500	1490	850	7,0	95,6	95,7	95,6	0,89	3200	1,3	3,0	18,5	3200
HMC2 400L2-4	560	1490	945	7,0	96,0	96,0	95,9	0,89	3590	1,4	3,0	19,4	3400
HMC2 400L3-4	630	1490	1110	7,1	96,0	96,1	96,0	0,89	4040	1,5	3,1	21,1	3500

Data at 400V 50Hz

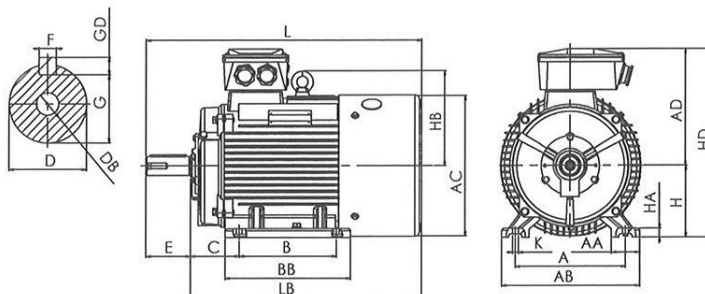
At 230V 50Hz the current is  $\sqrt{3}$  x current at 400V and at 690V the current is current at 400V /  $\sqrt{3}$ . All other data are identical.

\*Motors with high power / small frame



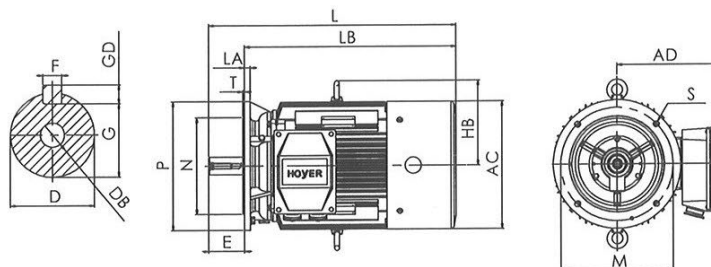
## MÅLSKITSER B3

IE2 / B3  
 Industrial



Motor type	Pole	A	AA	AB	AC	AD	B	BB	C	D	DB	E	F	G	GD	H	HA	HB	HD	K	L	LB
Aluminum motors																						
HMA2 56	-	90	20	110	115	100	71	90	36	9	M4	20	3	7,2	3	56	7,5	-	156	5,8	195	175
HMA2 63	-	100	22	125	125	100	80	108	40	11	M4	23	4	8,5	4	63	9	-	163	7	215	192
HMA2 71	-	112	24	140	140	110	90	114	45	14	M5	30	5	11	5	71	9	-	181	7	246	216
HMA2 80	-	125	27	160	158	128	100	122	50	19	M6	40	6	15,5	6	80	12	-	208	10	290	250
HMA2 90S	-	140	35	175	175	132	100	155	56	24	M8	50	8	20	7	90	13	-	222	10	335	285
HMA2 90L	-	140	35	175	175	132	125	155	56	24	M8	50	8	20	7	90	13	-	222	10	361	311
HMA2 100L	-	160	42	205	197	147	140	176	63	28	M10	60	8	24	7	100	12	-	247	12	400	350
HMA2 112M1	-	190	45	222	220	169	140	180	70	28	M10	60	8	24	7	112	13	145	281	12	394	334
HMA2 112M2	-	190	45	222	220	169	140	180	70	28	M10	60	8	24	7	112	13	145	281	12	422	362
HMA2 132S	-	216	50	256	260	188	140	180	89	38	M12	80	10	33	8	132	16,5	165	320	12	462	382
HMA2 132M1	-	216	50	256	260	188	178	218	89	38	M12	80	10	33	8	132	16,5	165	320	12	500	420
HMA2 132M2	-	216	50	256	260	188	178	218	89	38	M12	80	10	33	8	132	16,5	165	320	12	525	445
Cast iron motors																						
HMC2 160M	-	254	65	320	316	277	210	260	108	42	M16	110	12	37	8	160	20	222	437	14,5	615	505
HMC2 160L	-	254	65	320	316	277	254	305	108	42	M16	110	12	37	8	160	20	222	437	14,5	670	560
HMC2 180M	-	279	70	355	356	297	241	315	121	48	M16	110	14	42,5	9	180	22	237	477	14,5	700	590
HMC2 180L	-	279	70	355	356	297	279	355	121	48	M16	110	14	42,5	9	180	22	237	477	14,5	740	630
HMC2 200L	-	318	70	395	396	321	305	375	133	55	M20	110	16	49	10	200	25	262	521	18,5	770	660
HMC2 200L1*	4,6,8	318	70	388	397	313	305	369	133	55	M20	110	16	46	10	200	25	263	513	18,5	769	660
HMC2 225S	4,6,8	356	75	435	446	346	286	375	149	60	M20	140	18	53	11	225	28	285	571	18,5	815	675
HMC2 225M	2	356	75	435	446	346	311	400	149	55	M20	110	16	49	10	225	28	285	571	18,5	820	710
	4,6,8	356	75	435	446	346	311	400	149	60	M20	140	18	53	11	225	28	285	571	18,5	845	705
HMC2 225M1*	2	356	75	431	463	347	311	393	149	55	M20	110	16	49	10	225	28	572	572	18,5	864	754
	4,6,8	356	75	431	463	347	311	393	149	60	M20	140	18	53	11	225	28	307	572	18,5	864	754
HMC2 250M	2	406	80	490	490	367	349	445	168	60	M20	140	18	53	11	250	30	316	617	24	915	775
	4,6,8	406	80	490	490	367	349	445	168	65	M20	140	18	58	11	250	30	316	617	24	915	775
HMC2 250M1*	2	406	80	484	500	390	349	450	168	60	M20	140	18	53	11	250	30	361	640	24	1015	875
	4,6,8	406	80	484	500	390	349	450	168	65	M20	140	18	58	11	250	30	361	640	24	1015	875
HMC2 280S	2	457	85	550	550	405	368	490	190	65	M20	140	18	58	11	280	35	345	685	24	985	845
	4,6,8	457	85	550	550	405	368	490	190	75	M20	140	20	67,5	12	280	35	345	685	24	985	845
HMC2 280M	2	457	85	550	550	405	419	540	190	65	M20	140	18	58	11	280	35	345	685	24	1035	895
	4,6,8	457	85	550	550	405	419	540	190	75	M20	140	20	67,5	12	280	35	345	685	24	1035	895

## MÅLSKITSER B5

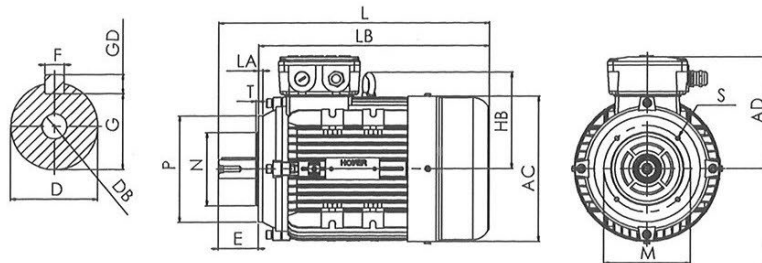


IE2 / B5  
 Industrial

Motor type	Pole	AC	AD	D	DB	E	F	G	GD	HB	L	LA	LB	M	N	P	S	T
Aluminum motors																		
HMA2 56	-	115	100	9	M4	20	3	7,2	3	-	195	7	175	100	80	120	4-Ø7	3
HMA2 63	-	125	100	11	M4	23	4	8,5	4	-	215	9	192	115	95	140	4-Ø10	3
HMA2 71	-	140	110	14	M5	30	5	11	5	-	246	10	216	130	110	160	4-Ø10	3,5
HMA2 80	-	158	128	19	M6	40	6	15,5	6	-	290	10	250	165	130	200	4-Ø12	3,5
HMA2 90S	-	175	132	24	M8	50	8	20	7	-	335	10	285	165	130	200	4-Ø12	3,5
HMA2 90L	-	175	132	24	M8	50	8	20	7	-	361	10	311	165	130	200	4-Ø12	3,5
HMA2 100L	-	197	147	28	M10	60	8	24	7	-	400	14	350	215	180	250	4-Ø15	4
HMA2 112M1	-	220	169	28	M10	60	8	24	7	145	394	14	334	215	180	250	4-Ø15	4
HMA2 112M2	-	220	169	28	M10	60	8	24	7	145	422	14	362	215	180	250	4-Ø15	4
HMA2 132S	-	260	188	38	M12	80	10	33	8	165	462	15	382	265	230	300	4-Ø15	4
HMA2 132M1	-	260	188	38	M12	80	10	33	8	165	500	15	420	265	230	300	4-Ø15	4
HMA2 132M2	-	260	188	38	M12	80	10	33	8	165	525	15	445	265	230	300	4-Ø15	4
Cast iron motors																		
HMC2 160M	-	316	277	42	M16	110	12	37	8	222	615	18	505	300	250	350	4-Ø18,5	5
HMC2 160L	-	316	277	42	M16	110	12	37	8	222	670	18	560	300	250	350	4-Ø18,5	5
HMC2 180M	-	356	297	48	M16	110	14	42,5	9	237	700	18	590	300	250	350	4-Ø18,5	5
HMC2 180L	-	356	297	48	M16	110	14	42,5	9	237	740	20	630	300	250	350	4-Ø18,5	5
HMC2 200L	-	396	321	55	M20	110	16	49	10	262	770	20	660	350	300	400	4-Ø18,5	5
HMC2 200L1*	4,6,8	397	313	55	M20	110	16	49	10	263	769	17	660	350	300	400	4-Ø18,5	5
HMC2 225S	4,6,8	446	346	60	M20	140	18	53	11	285	815	22	675	400	350	450	8-Ø18,5	5
HMC2 225M	2	446	346	55	M20	110	16	49	10	285	820	22	710	400	350	450	8-Ø18,5	5
	4,6,8	446	346	60	M20	140	18	53	11	285	845	22	705	400	350	450	8-Ø18,5	5
HMC2 225M1*	2	463	347	55	M20	110	16	49	10	307	864	20	754	400	350	450	8-Ø18,5	5
	4,6,8	463	347	60	M20	140	18	53	11	307	864	20	754	400	350	450	8-Ø18,5	5
HMC2 250M	2	490	367	60	M20	140	18	53	11	316	915	24	775	500	450	550	8-Ø18,5	5
	4,6,8	490	367	65	M20	140	18	58	11	316	915	24	775	500	450	550	8-Ø18,5	5
HMC2 250M1*	2	500	390	60	M20	140	18	53	11	361	1015	22	875	500	450	550	8-Ø18,5	5
	4,6,8	500	390	65	M20	140	18	58	11	361	1015	22	875	500	450	550	8-Ø18,5	5
HMC2 280S	2	550	405	65	M20	140	18	58	11	345	985	24	845	500	450	550	8-Ø18,5	5
	4,6,8	550	405	75	M20	140	20	67,5	12	345	985	24	845	500	450	550	8-Ø18,5	5
HMC2 280M	2	550	405	65	M20	140	18	58	11	345	1035	24	895	500	450	550	8-Ø18,5	5
	4,6,8	550	405	75	M20	140	20	67,5	12	345	1035	24	895	500	450	550	8-Ø18,5	5

## MÅLSKITSER B14 - LEJETABEL

IE2 / B14  
 Industrial



Motor type	B14A small or C DIN flange															B14B big					
	AC	AD	D	DB	E	F	G	GD	HB	L	LB	M	N	P	S	T	M	N	P	S	T
Aluminum motors																					
HMA2 56	115	100	9	M4	20	3	7,2	3	-	195	175	65	50	80	4-M5	2,5	-	-	-	-	-
HMA2 63	125	100	11	M4	23	4	8,5	4	-	215	192	75	60	90	4-M5	2,3	-	-	-	-	-
HMA2 71	140	110	14	M5	30	5	11	5	-	246	216	85	70	105	4-M6	2,5	115	95	140	4-M8	3
HMA2 80	158	128	19	M6	40	6	15,5	6	-	290	250	100	80	120	4-M6	3	130	110	160	4-M8	3,5
HMA2 90S	175	132	24	M8	50	8	20	7	-	335	285	115	95	140	4-M8	3	130	110	160	4-M8	3,5
HMA2 90L	175	132	24	M8	50	8	20	7	-	361	311	115	95	140	4-M8	3	130	110	160	4-M8	3,5
HMA2 100L	197	147	28	M10	60	8	24	7	-	400	350	130	110	160	4-M8	3,5	165	130	200	4-M10	4
HMA2 112M1	220	169	28	M10	60	8	24	7	145	394	334	130	110	160	4-M8	3,5	165	130	200	4-M10	4
HMA2 112M2	220	169	28	M10	60	8	24	7	145	422	362	130	110	160	4-M8	3,5	165	130	200	4-M10	4
HMA2 132S	260	188	38	M12	80	10	33	8	165	462	382	165	130	200	4-M10	4	-	-	-	-	-
HMA2 132M1	260	188	38	M12	80	10	33	8	165	500	420	165	130	200	4-M10	4	-	-	-	-	-
HMA2 132M2	260	188	38	M12	80	10	33	8	165	500	420	165	130	200	4-M10	4	-	-	-	-	-

### Bearings

Motor type	Drive end		None drive end	
	2 pole	4,6,8 pole	2 pole	4,6,8 pole
HMA2 56	6201-ZZ/C3		6201-ZZ/C3	
HMA2 63	6201-ZZ/C3		6201-ZZ/C3	
HMA2 71	6202-ZZ/C3		6202-ZZ/C3	
HMA2 80	6204-ZZ/C3		6204-ZZ/C3	
HMA2 90	6205-ZZ/C3		6204-ZZ/C3	
HMA2 100	6206-ZZ/C3		6206-ZZ/C3	
HMA2 112	6306-ZZ/C3		6306-ZZ/C3	
HMA2 132	6308-ZZ/C3		6308-ZZ/C3	
HMC2 160	6309-ZZ/C3		6309-ZZ/C3	
HMC2 180	6311-ZZ/C3		6311-ZZ/C3	
HMC2 200	6312-ZZ/C3		6312-ZZ/C3	
HMC2 200L1*	6212-ZZ/C3		6212-ZZ/C3	
HMC2 225	6312-ZZ/C3	6313-ZZ/C3	6312-ZZ/C3	
HMC2 225M1*	6313-ZZ/C3	6314-ZZ/C3	6313-ZZ/C3	
HMC2 250	6313/C3	6314/C3	6313/C3	
HMC2 250M1*	6314/C3	6315/C3	6314/C3	
HMC2 280	6314/C3	6317/C3	6314/C3	

### Cable glands

Motor type	Cable glands	Blind caps
HMA2 56	1 x M20x1,5	1 x M20x1,5
HMA2 63	1 x M20x1,5	1 x M20x1,5
HMA2 71	1 x M20x1,5	1 x M20x1,5
HMA2 80	1 x M20x1,5	1 x M20x1,5
HMA2 90	1 x M20x1,5	1 x M20x1,5
HMA2 100	1 x M20x1,5	1 x M20x1,5
HMA2 112	1 x M20x1,5	1 x M20x1,5
HMA2 132	2 x M25x1,5	1 x M20x1,5
HMC2 160	2 x M40x1,5	2 x M20x1,5
HMC2 180	2 x M40x1,5	2 x M20x1,5
HMC2 200	2 x M50x1,5	2 x M20x1,5
HMC2 225	2 x M50x1,5	2 x M20x1,5
HMC2 250	2 x M63x1,5	2 x M20x1,5
HMC2 280	2 x M63x1,5	2 x M20x1,5
HMC2 315	2 x M63x1,5	2 x M20x1,5
HMC2 355	2 x M72x2,0	2 x M20x1,5
HMC2 400	2 x M80x2,0	2 x M20x1,5



## MOTORKOBLINGER

### BICO MOTORKOBL. 70TL

Varenr.

Bico motorkoblingsæt består af:  
 2 stk. Koblingshalvparter  
 1 stk. Gummielement  
 2 stk. Taper-lock bøsninger



Koblingshalvpart:

Type 70TL, indv. Montering

50 1852 131

Type 70TL, udv. Montering

50 1852 132

Gummielement:

Type 70TL

50 1852 135



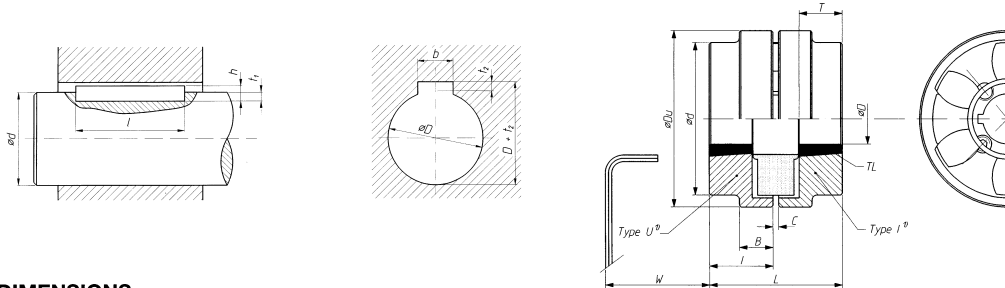
Taper-lock bøsninger:

Udboring mm	Not mm	Type	
9	3	1008	50 1852 209
10	3	1008	50 1852 210
11	4	1008	50 1852 211
12	4	1008	50 1852 212
14	5	1008	50 1852 214
16	5	1008	50 1852 216
18	6	1008	50 1852 218
19	6	1008	50 1852 219
20	6	1008	50 1852 220
22	6	1008	50 1852 222
24	8	1008	50 1852 224
25	8	1008	50 1852 225



Udv. Diameter på bøsning: 70mm  
 Skruer: WG x Længde 7/16" x 7/8"  
 Forspændingsmoment: Nm 31

## TEKNISKE DATA



### DIMENSIONS

Size of coupling BICO-TL	Bores		Bush TL	Du	d	L	I	T	B	C	Wrench clearance W
	Min. D	Max. D									
Ref.	mm	mm	Ref.	mm	mm	mm	mm	mm	mm	mm	mm
70-TL	9	25	1008	69	60	65,0	30,2	23,5	10,5	4,6	29
90-TL	9	28	1108	85	70	70,0	33,2	23,5	13,7	3,6	29
110-TL	11	32	1210	112	100	83,0	39,7	27,0	21,0	3,6	38
130-TL	14	42	1610	130	105	90,0	42,0	27,0	24,0	6,0	38
150-TL	14	50	2012	150	115	107,0	50,0	33,5	26,5	7,2	42
180-TL	16	60	2517	180	125	141,0	67,0	46,5	32,5	7,2	48
230-TL	25	75	3020	225	155	164,0	76,6	52,5	37,5	10,8	55
280-TL	35	100	3525	275	206	207,5	100,6	66,5	49,6	6,3	67

### TYPE OF RUBBER

Type	Characteristics	Temperature standard range	Wear resistance	Resistancy against oil
Ref.		°C		
F	Nitril rubber, standard quality for all applications	-20 < t < +60	Good	Very good

### DIMENSIONS

Diameter		Keys cross-sect. b x h	Keyway depth		Tol. for t <sub>1</sub> / t <sub>2</sub>
above	up to		shaft t <sub>1</sub>	hub t <sub>2</sub>	
6	8	2 x 2	1,2	1,0	+ 0,1 0
8	10	3 x 3	1,8	1,4	
10	12	4 x 4	2,5	1,8	
12	17	5 x 5	3,0	2,3	
17	22	6 x 6	3,5	2,8	
22	30	8 x 7	4,0	3,3	+ 0,2 0
30	38	10 x 8	5,0	3,3	
38	44	12 x 8	5,0	3,3	
44	50	14 x 9	5,5	3,8	
50	58	16 x 10	6,0	4,3	
58	65	18 x 11	7,0	4,4	
65	75	20 x 12	7,5	4,9	
75	85	22 x 14	9,0	5,4	
85	95	25 x 14	9,0	5,4	
95	110	28 x 16	10,0	6,4	
110	130	32 x 18	11,0	7,4	+ 0,3 0
130	150	36 x 20	12,0	8,4	
150	170	40 x 22	13,0	9,4	
170	200	45 x 25	15,0	10,4	
200	230	50 x 28	17,0	11,4	

(ISO R 773: 1969)

### ISO TOLERANCES

Nom. diameter		Bore		Shaft			
above	up to	H7	H8	k6	j6	g6	h7
mm	mm	µm	µm	µm	µm	µm	µm
6	10	+15 0	+22 0	+10 +1	+7 -2	-5 -14	0 -15
10	18	+18 0	+27 0	+12 +1	+8 -3	-6 -17	0 -18
18	30	+21 0	+33 0	+15 +2	+9 -4	-7 -20	0 -21
30	50	+25 0	+39 0	+18 +2	+11 -5	-9 -25	0 -25
50	80	+30 0	+46 0	+21 +2	+12 -7	-10 -29	0 -30
80	120	+35 0	+54 0	+25 +3	+13 -9	-12 -34	0 -35
120	180	+40 0	+63 0	+28 +3	+14 -11	-14 -39	0 -40
180	250	+46 0	+72 0	+33 +4	+16 -13	-15 -44	0 -46

(ISO 286-1: 1988)

### FITS

Type of fit	Keyway width		Diameter		Characteristic of fit
	Shaft	Hub	Shaft	Hub	
Clearance fit	H8	D10	g6	H7	Moveable
Clearance fit	N9	Js9	h7	H8	Easy mounting
Push fit Easy to pull out	P9	P9	j6	H7	For oscillation torques
Transition fit hard to pull out	P9	P9	k6	H7	Solid, only rarely dismounting

## MOTORKOBLINGER

### BICO MOTORKOBL. 90TL

Varenr.

Bico motorkoblingsæt består af:  
 2 stk. Koblingshalvparter  
 1 stk. Gummielement  
 2 stk. Taper-lock bøsninger



Koblingshalvpart:

Type 90TL, indv. Montering

50 1853 131

Type 90TL, udv. Montering

50 1853 132

Gummielement:

Type 90TL

50 1853 135



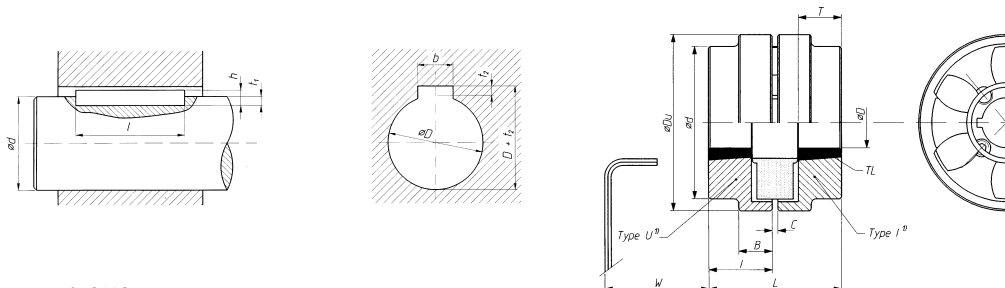
Taper-lock bøsninger:

Udboring mm	Not mm	Type	
9	3	1108	50 1853 209
10	3	1108	50 1853 210
11	4	1108	50 1853 211
12	4	1108	50 1853 212
14	5	1108	50 1853 214
16	5	1108	50 1853 216
18	6	1108	50 1853 218
19	6	1108	50 1853 219
20	6	1108	50 1853 220
22	6	1108	50 1853 222
24	8	1108	50 1853 224
25	8	1108	50 1853 225
28	8	1108	50 1853 228



Udv. Diameter på bøsning: 70mm  
 Skruer: WG x Længde 7/16" x 7/8"  
 Forspændingsmoment: Nm 31

## TEKNISKE DATA



### DIMENSIONS

Size of coupling BICO-TL	Bores		Bush TL	Du	d	L	l	T	B	C	Wrench clearance W
	Min. D	Max. D									
Ref.	mm	mm	Ref.	mm	mm	mm	mm	mm	mm	mm	mm
70-TL	9	25	1008	69	60	65,0	30,2	23,5	10,5	4,6	29
90-TL	9	28	1108	85	70	70,0	33,2	23,5	13,7	3,6	29
110-TL	11	32	1210	112	100	83,0	39,7	27,0	21,0	3,6	38
130-TL	14	42	1610	130	105	90,0	42,0	27,0	24,0	6,0	38
150-TL	14	50	2012	150	115	107,0	50,0	33,5	26,5	7,2	42
180-TL	16	60	2517	180	125	141,0	67,0	46,5	32,5	7,2	48
230-TL	25	75	3020	225	155	164,0	76,6	52,5	37,5	10,8	55
280-TL	35	100	3525	275	206	207,5	100,6	66,5	49,6	6,3	67

### TYPE OF RUBBER

Type	Characteristics	Temperature standard range	Wear resistance	Resistancy against oil
Ref.		°C		
F	Nitril rubber, standard quality for all applications	-20 < t < +60	Good	Very good

### DIMENSIONS

Diameter		Keys cross-sect. b x h	Keyway depth		Tol. for t <sub>1</sub> / t <sub>2</sub>
above	up to		shaft t <sub>1</sub>	hub t <sub>2</sub>	
6	8	2 x 2	1,2	1,0	+ 0,1 0
8	10	3 x 3	1,8	1,4	
10	12	4 x 4	2,5	1,8	
12	17	5 x 5	3,0	2,3	
17	22	6 x 6	3,5	2,8	
22	30	8 x 7	4,0	3,3	+ 0,2 0
30	38	10 x 8	5,0	3,3	
38	44	12 x 8	5,0	3,3	
44	50	14 x 9	5,5	3,8	
50	58	16 x 10	6,0	4,3	
58	65	18 x 11	7,0	4,4	
65	75	20 x 12	7,5	4,9	
75	85	22 x 14	9,0	5,4	
85	95	25 x 14	9,0	5,4	
95	110	28 x 16	10,0	6,4	
110	130	32 x 18	11,0	7,4	+ 0,3 0
130	150	36 x 20	12,0	8,4	
150	170	40 x 22	13,0	9,4	
170	200	45 x 25	15,0	10,4	
200	230	50 x 28	17,0	11,4	

(ISO R 773: 1969)

### ISO TOLERANCES

Nom. diameter		Bore		Shaft			
above	up to	H7	H8	k6	j6	g6	h7
mm	mm	µm	µm	µm	µm	µm	µm
6	10	+15 0	+22 0	+10 +1	+7 -2	-5 -14	0 -15
10	18	+18 0	+27 0	+12 +1	+8 -3	-6 -17	0 -18
18	30	+21 0	+33 0	+15 +2	+9 -4	-7 -20	0 -21
30	50	+25 0	+39 0	+18 +2	+11 -5	-9 -25	0 -25
50	80	+30 0	+46 0	+21 +2	+12 -7	-10 -29	0 -30
80	120	+35 0	+54 0	+25 +3	+13 -9	-12 -34	0 -35
120	180	+40 0	+63 0	+28 +3	+14 -11	-14 -39	0 -40
180	250	+46 0	+72 0	+33 +4	+16 -13	-15 -44	0 -46

(ISO 286-1: 1988)

### FITS

Type of fit	Keyway width		Diameter		Characteristic of fit
	Shaft	Hub	Shaft	Hub	
Clearance fit	H8	D10	g6	H7	Moveable
Clearance fit	N9	Js9	h7	H8	Easy mounting
Push fit Easy to pull out	P9	P9	j6	H7	For oscillation torques
Transition fit hard to pull out	P9	P9	k6	H7	Solid, only rarely dismounting



## MOTORKOBLINGER

### BICO MOTORKOBL. 130TL

Varenr.

Bico motorkoblingsset består af:  
 2 stk. Koblingshalvparter  
 1 stk. Gummielement  
 2 stk. Taper-lock bøsninger



Koblingshalvpart:

Type 130TL, indv. Montering	50 1854 131
Type 130TL, udv. Montering	50 1854 132

Gummielement:

Type 130TL	50 1854 135
------------	-------------



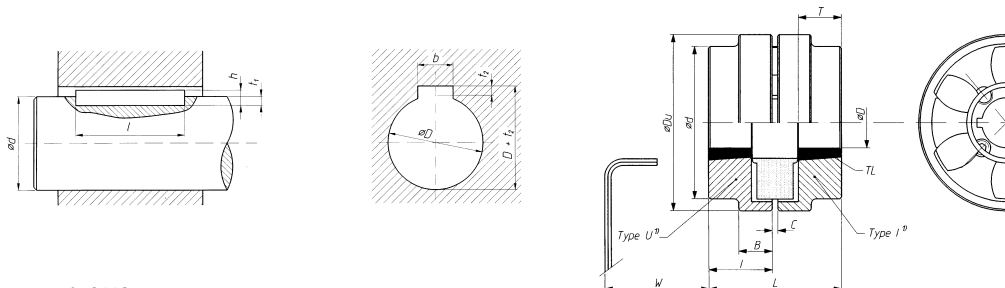
Taper-lock bøsninger:

Udboring mm	Not mm	Type	
14	5	1610	50 1854 214
16	5	1610	50 1854 216
18	6	1610	50 1854 218
19	6	1610	50 1854 219
20	6	1610	50 1854 220
22	6	1610	50 1854 222
24	8	1610	50 1854 224
25	8	1610	50 1854 225
28	8	1610	50 1854 228
30	8	1610	50 1854 230
32	10	1610	50 1854 232
35	10	1610	50 1854 235
38	10	1610	50 1854 238
40	12	1610	50 1854 240
42	12	1610	50 1854 242



Udv. Diameter på bøsning: 70mm  
 Skruer: WG x Længde 7/16" x 7/8"  
 Forspændingsmoment: Nm 31

## TEKNISKE DATA



### DIMENSIONS

Size of coupling BICO-TL	Bores		Bush TL	Du	d	L	l	T	B	C	Wrench clearance W
	Min. D	Max. D									
Ref.	mm	mm	Ref.	mm	mm	mm	mm	mm	mm	mm	mm
70-TL	9	25	1008	69	60	65,0	30,2	23,5	10,5	4,6	29
90-TL	9	28	1108	85	70	70,0	33,2	23,5	13,7	3,6	29
110-TL	11	32	1210	112	100	83,0	39,7	27,0	21,0	3,6	38
130-TL	14	42	1610	130	105	90,0	42,0	27,0	24,0	6,0	38
150-TL	14	50	2012	150	115	107,0	50,0	33,5	26,5	7,2	42
180-TL	16	60	2517	180	125	141,0	67,0	46,5	32,5	7,2	48
230-TL	25	75	3020	225	155	164,0	76,6	52,5	37,5	10,8	55
280-TL	35	100	3525	275	206	207,5	100,6	66,5	49,6	6,3	67

### TYPE OF RUBBER

Type	Characteristics	Temperature standard range	Wear resistance	Resistancy against oil
Ref.		°C		
F	Nitril rubber, standard quality for all applications	-20 < t < +60	Good	Very good

### DIMENSIONS

Diameter		Keys cross-sect. b x h	Keyway depth		Tol. for t <sub>1</sub> / t <sub>2</sub>
above	up to		shaft t <sub>1</sub>	hub t <sub>2</sub>	
6	8	2 x 2	1,2	1,0	+ 0,1 0
8	10	3 x 3	1,8	1,4	
10	12	4 x 4	2,5	1,8	
12	17	5 x 5	3,0	2,3	
17	22	6 x 6	3,5	2,8	
22	30	8 x 7	4,0	3,3	+ 0,2 0
30	38	10 x 8	5,0	3,3	
38	44	12 x 8	5,0	3,3	
44	50	14 x 9	5,5	3,8	
50	58	16 x 10	6,0	4,3	
58	65	18 x 11	7,0	4,4	
65	75	20 x 12	7,5	4,9	
75	85	22 x 14	9,0	5,4	
85	95	25 x 14	9,0	5,4	
95	110	28 x 16	10,0	6,4	
110	130	32 x 18	11,0	7,4	+ 0,3 0
130	150	36 x 20	12,0	8,4	
150	170	40 x 22	13,0	9,4	
170	200	45 x 25	15,0	10,4	
200	230	50 x 28	17,0	11,4	

(ISO R 773: 1969)

### ISO TOLERANCES

Nom. diameter		Bore		Shaft			
above	up to	H7	H8	k6	j6	g6	h7
mm	mm	µm	µm	µm	µm	µm	µm
6	10	+15 0	+22 0	+10 +1	+7 -2	-5 -14	0 -15
10	18	+18 0	+27 0	+12 +1	+8 -3	-6 -17	0 -18
18	30	+21 0	+33 0	+15 +2	+9 -4	-7 -20	0 -21
30	50	+25 0	+39 0	+18 +2	+11 -5	-9 -25	0 -25
50	80	+30 0	+46 0	+21 +2	+12 -7	-10 -29	0 -30
80	120	+35 0	+54 0	+25 +3	+13 -9	-12 -34	0 -35
120	180	+40 0	+63 0	+28 +3	+14 -11	-14 -39	0 -40
180	250	+46 0	+72 0	+33 +4	+16 -13	-15 -44	0 -46

(ISO 286-1: 1988)

### FITS

Type of fit	Keyway width		Diameter		Characteristic of fit
	Shaft	Hub	Shaft	Hub	
Clearance fit	H8	D10	g6	H7	Moveable
Clearance fit	N9	Js9	h7	H8	Easy mounting
Push fit Easy to pull out	P9	P9	j6	H7	For oscillation torques
Transition fit hard to pull out	P9	P9	k6	H7	Solid, only rarely dismounting

## MOTORKOBLINGER

### BICO MOTORKOBL. 150TL

Varenr.

Bico motorkoblingsæt består af:  
 2 stk. Koblingshalvparter  
 1 stk. Gummielement  
 2 stk. Taper-lock bøsninger



Koblingshalvpart:

Type 150TL, indv. Montering	50 1855 151
Type 150TL, udv. Montering	50 1855 152

Gummielement:

Type 150TL	50 1855 155
------------	-------------

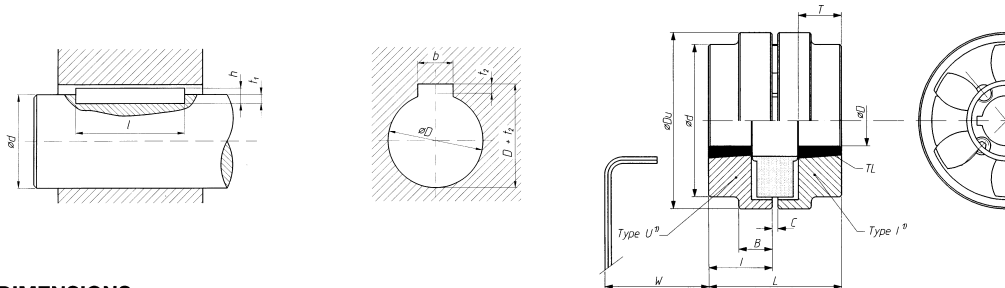
Taper-lock bøsninger:



Udboring mm	Not mm	Type	
14	5	2012	50 1855 214
16	5	2012	50 1855 216
18	6	2012	50 1855 218
19	6	2012	50 1855 219
20	6	2012	50 1855 220
22	6	2012	50 1855 222
24	8	2012	50 1855 224
25	8	2012	50 1855 225
28	8	2012	50 1855 228
30	8	2012	50 1855 230
32	10	2012	50 1855 232
35	10	2012	50 1855 235
38	10	2012	50 1855 238
40	12	2012	50 1855 240
42	12	2012	50 1855 242
45	14	2012	50 1855 245
48	14	2012	50 1855 248
50	14	2012	50 1855 250

Udv. Diameter på bøsning: 70mm  
 Skruer: WG x Længde 7/16" x 7/8"  
 Forspændingsmoment: Nm 31

## TEKNISKE DATA



### DIMENSIONS

Size of coupling BICO-TL	Bores		Bush TL	Du	d	L	I	T	B	C	Wrench clearance W
	Min. D	Max. D									
Ref.	mm	mm	Ref.	mm	mm	mm	mm	mm	mm	mm	mm
70-TL	9	25	1008	69	60	65,0	30,2	23,5	10,5	4,6	29
90-TL	9	28	1108	85	70	70,0	33,2	23,5	13,7	3,6	29
110-TL	11	32	1210	112	100	83,0	39,7	27,0	21,0	3,6	38
130-TL	14	42	1610	130	105	90,0	42,0	27,0	24,0	6,0	38
150-TL	14	50	2012	150	115	107,0	50,0	33,5	26,5	7,2	42
180-TL	16	60	2517	180	125	141,0	67,0	46,5	32,5	7,2	48
230-TL	25	75	3020	225	155	164,0	76,6	52,5	37,5	10,8	55
280-TL	35	100	3525	275	206	207,5	100,6	66,5	49,6	6,3	67

### TYPE OF RUBBER

Type	Characteristics	Temperature standard range	Wear resistance	Resistancy against oil
Ref.		°C		
F	Nitril rubber, standard quality for all applications	-20 < t < +60	Good	Very good

### DIMENSIONS

Diameter		Keys cross-sect. b x h	Keyway depth		Tol. for t <sub>1</sub> / t <sub>2</sub>
above	up to		shaft t <sub>1</sub>	hub t <sub>2</sub>	
mm	mm	mm	mm	mm	mm
6	8	2 x 2	1,2	1,0	+ 0,1 0
8	10	3 x 3	1,8	1,4	
10	12	4 x 4	2,5	1,8	
12	17	5 x 5	3,0	2,3	
17	22	6 x 6	3,5	2,8	
22	30	8 x 7	4,0	3,3	+ 0,2 0
30	38	10 x 8	5,0	3,3	
38	44	12 x 8	5,0	3,3	
44	50	14 x 9	5,5	3,8	
50	58	16 x 10	6,0	4,3	
58	65	18 x 11	7,0	4,4	
65	75	20 x 12	7,5	4,9	
75	85	22 x 14	9,0	5,4	
85	95	25 x 14	9,0	5,4	
95	110	28 x 16	10,0	6,4	
110	130	32 x 18	11,0	7,4	+ 0,3 0
130	150	36 x 20	12,0	8,4	
150	170	40 x 22	13,0	9,4	
170	200	45 x 25	15,0	10,4	
200	230	50 x 28	17,0	11,4	

(ISO R 773: 1969)

### ISO TOLERANCES

Nom. diameter		Bore		Shaft			
above	up to	H7	H8	k6	j6	g6	h7
mm	mm	µm	µm	µm	µm	µm	µm
6	10	+15 0	+22 0	+10 +1	+7 -2	-5 -14	0 -15
10	18	+18 0	+27 0	+12 +1	+8 -3	-6 -17	0 -18
18	30	+21 0	+33 0	+15 +2	+9 -4	-7 -20	0 -21
30	50	+25 0	+39 0	+18 +2	+11 -5	-9 -25	0 -25
50	80	+30 0	+46 0	+21 +2	+12 -7	-10 -29	0 -30
80	120	+35 0	+54 0	+25 +3	+13 -9	-12 -34	0 -35
120	180	+40 0	+63 0	+28 +3	+14 -11	-14 -39	0 -40
180	250	+46 0	+72 0	+33 +4	+16 -13	-15 -44	0 -46

(ISO 286-1: 1988)

### FITS

Type of fit	Keyway width		Diameter		Characteristic of fit
	Shaft	Hub	Shaft	Hub	
Clearance fit	H8	D10	g6	H7	Moveable
Clearance fit	N9	Js9	h7	H8	Easy mounting
Push fit Easy to pull out	P9	P9	j6	H7	For oscillation torques
Transition fit hard to pull out	P9	P9	k6	H7	Solid, only rarely dismounting

## MOTORKOBLINGER

### BICO MOTORKOBL. 180TL

Varenr.

Bico motorkoblingsæt består af:  
 2 stk. Koblingshalvparter  
 1 stk. Gummielement  
 2 stk. Taper-lock bøsninger



Koblingshalvpart:

Type 180TL, indv. Montering	50 1856 181
Type 180TL, udv. Montering	50 1856 182

Gummielement:

Type 180TL	50 1856 185
------------	-------------

Taper-lock bøsninger:

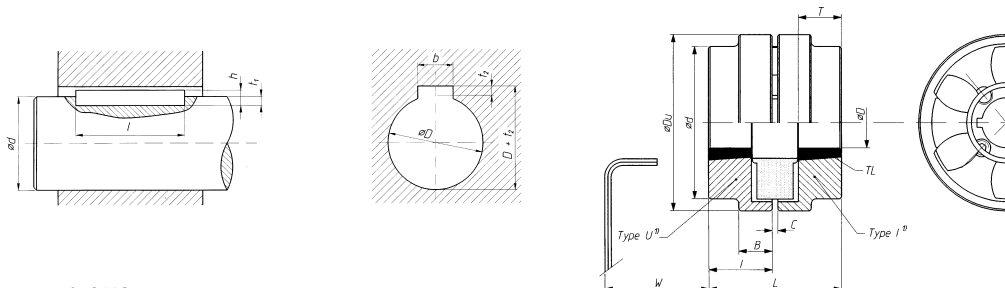


Udboring mm	Not mm	Type	Varenr.
16	5	2517	50 1856 216
18	6	2517	50 1856 218
19	6	2517	50 1856 219
20	6	2517	50 1856 220
22	6	2517	50 1856 222
24	8	2517	50 1856 224
25	8	2517	50 1856 225
28	8	2517	50 1856 228
30	8	2517	50 1856 230
32	10	2517	50 1856 232
35	10	2517	50 1856 235
38	10	2517	50 1856 238
40	12	2517	50 1856 240
42	12	2517	50 1856 242
45	14	2517	50 1856 245
48	14	2517	50 1856 248
50	14	2517	50 1856 250
55	16	2517	50 1856 255
60	18	2517	50 1856 260



Udv. Diameter på bøsning: 85,5 mm  
 Skruer: WG x Længde 7/16" x 7/8"  
 Forspændingsmoment: Nm 31

## TEKNISKE DATA



### DIMENSIONS

Size of coupling BICO-TL	Bores		Bush TL	Du	d	L	l	T	B	C	Wrench clearance W
	Min. D	Max. D									
Ref.	mm	mm	Ref.	mm	mm	mm	mm	mm	mm	mm	mm
70-TL	9	25	1008	69	60	65,0	30,2	23,5	10,5	4,6	29
90-TL	9	28	1108	85	70	70,0	33,2	23,5	13,7	3,6	29
110-TL	11	32	1210	112	100	83,0	39,7	27,0	21,0	3,6	38
130-TL	14	42	1610	130	105	90,0	42,0	27,0	24,0	6,0	38
150-TL	14	50	2012	150	115	107,0	50,0	33,5	26,5	7,2	42
180-TL	16	60	2517	180	125	141,0	67,0	46,5	32,5	7,2	48
230-TL	25	75	3020	225	155	164,0	76,6	52,5	37,5	10,8	55
280-TL	35	100	3525	275	206	207,5	100,6	66,5	49,6	6,3	67

### TYPE OF RUBBER

Type	Characteristics	Temperature standard range	Wear resistance	Resistancy against oil
Ref.		°C		
F	Nitril rubber, standard quality for all applications	-20 < t < +60	Good	Very good

### DIMENSIONS

Diameter		Keys cross-sect. b x h	Keyway depth		Tol. for t <sub>1</sub> / t <sub>2</sub>
above	up to		shaft t <sub>1</sub>	hub t <sub>2</sub>	
6	8	2 x 2	1,2	1,0	+ 0,1 0
8	10	3 x 3	1,8	1,4	
10	12	4 x 4	2,5	1,8	
12	17	5 x 5	3,0	2,3	
17	22	6 x 6	3,5	2,8	
22	30	8 x 7	4,0	3,3	+ 0,2 0
30	38	10 x 8	5,0	3,3	
38	44	12 x 8	5,0	3,3	
44	50	14 x 9	5,5	3,8	
50	58	16 x 10	6,0	4,3	
58	65	18 x 11	7,0	4,4	
65	75	20 x 12	7,5	4,9	
75	85	22 x 14	9,0	5,4	
85	95	25 x 14	9,0	5,4	
95	110	28 x 16	10,0	6,4	
110	130	32 x 18	11,0	7,4	+ 0,3 0
130	150	36 x 20	12,0	8,4	
150	170	40 x 22	13,0	9,4	
170	200	45 x 25	15,0	10,4	
200	230	50 x 28	17,0	11,4	

(ISO R 773: 1969)

### ISO TOLERANCES

Nom. diameter		Bore		Shaft			
above	up to	H7	H8	k6	j6	g6	h7
mm	mm	µm	µm	µm	µm	µm	µm
6	10	+15 0	+22 0	+10 +1	+7 -2	-5 -14	0 -15
10	18	+18 0	+27 0	+12 +1	+8 -3	-6 -17	0 -18
18	30	+21 0	+33 0	+15 +2	+9 -4	-7 -20	0 -21
30	50	+25 0	+39 0	+18 +2	+11 -5	-9 -25	0 -25
50	80	+30 0	+46 0	+21 +2	+12 -7	-10 -29	0 -30
80	120	+35 0	+54 0	+25 +3	+13 -9	-12 -34	0 -35
120	180	+40 0	+63 0	+28 +3	+14 -11	-14 -39	0 -40
180	250	+46 0	+72 0	+33 +4	+16 -13	-15 -44	0 -46

(ISO 286-1: 1988)

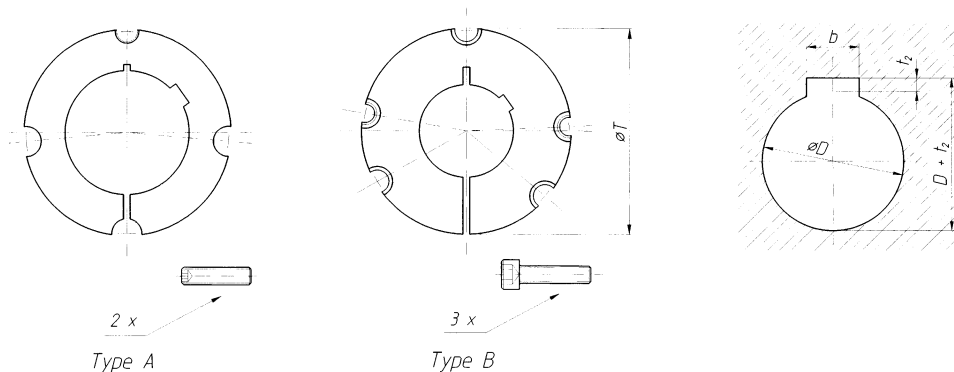
### FITS

Type of fit	Keyway width		Diameter		Characteristic of fit
	Shaft	Hub	Shaft	Hub	
Clearance fit	H8	D10	g6	H7	Moveable
Clearance fit	N9	Js9	h7	H8	Easy mounting
Push fit Easy to pull out	P9	P9	j6	H7	For oscillation torques
Transition fit hard to pull out	P9	P9	k6	H7	Solid, only rarely dismounting

## MOTORKOBLINGSTABEL

Motor			Coupling																														
Type	Shaft dia.	Motor power	3000 r.p.m.			1500 r.p.m.			1000 r.p.m.			750 r.p.m.																					
			LB	BICO		Motor power	LB	BICO		Motor power	LB	BICO		Motor power	LB	BICO																	
Ref.	mm	KW	Ref.	Ref.	Ref.	KW	Ref.	Ref.	Ref.	KW	Ref.	Ref.	Ref.	KW	Ref.	Ref.	Ref.																
63B	14	0,25	102	70TL	70S	0,18	102	70TL	70S	0,12	102	70TL	70S	0,055	102	70TL	70S																
63D		0,18																															
71		0,37																															
71A		0,25																															
71B		0,55																															
80A	0,75																																
80B	1,1																																
90S	1,5																																
90L	2,2																																
100L	3																																
100LA	28	4	103 1/2	130TL	90S	7,5	103 1/2	130TL	110S	4	104	130TL	110S	4	104	130TL	110S																
100LB																		2,2															
112M																		3															
132S																		5,5															
132SA																		7,5															
132SB	11																																
132M	15																																
132MA	18,5																																
132MB	22																																
160MA	30																																
160M	37																																
160L	45																																
180M	55																																
180L	75																																
200LA	55/60	55	106	180TL	130S	37	106	180TL	180S	30	107	180TL	180S	22	106	180TL	180S																
200L																		45															
225S																		75															
225M																		90															
250M																		110															
280S	132																																
280M	160																																
315S	65/75	160																107	230TL	180S	110	107	230TL	230S	75	108	280TL	230S	55	107	230TL	230S	
315MA																																	132
315MB																																	200
355S			250																														
355MA			280																														
355MB	315																																
355MC	350																																

## BØSNINGSTABEL



D	b	t <sub>2</sub>	*	Size								
				1008	1108	1210	1610	2012	2517	3020	3525	
9	3	1,4	-	●	●							
10	3	1,4	-	●	●							
11	4	1,8	-	●	●	●						
12	4	1,8	-	●	●	●						
14	5	2,3	-	●	●	●	●	●				
16	5	2,3	-	●	●	●	●	●	●			
18	6	2,8	-	●	●	●	●	●	●			
19	6	2,8	-	●	●	●	●	●	●			
20	6	2,8	-	●	●	●	●	●	●			
22	6	3,3	-	●	●	●	●	●	●			
24	8	3,3	1,3	●*	●	●	●	●	●			
25	8	3,3	1,3	●*	●	●	●	●	●	●		
28	8	3,3	1,3		●*	●	●	●	●	●		
30	8	3,3	-			●	●	●	●	●		
32	10	3,3	-			●	●	●	●	●		
35	10	3,3	-				●	●	●	●	●	
38	10	3,3	-				●	●	●	●	●	
40	12	3,3	1,3				●*	●	●	●	●	
42	12	3,3	1,3				●*	●	●	●	●	
45	14	3,8	-					●	●	●	●	
48	14	3,8	-					●	●	●	●	
50	14	3,8	-					●	●	●	●	
55	16	4,3	-						●	●	●	
60	18	4,4	-						●	●	●	
65	18	4,4	-							●	●	
70	20	4,9	-							●	●	
75	20	4,9	-							●	●	
80	22	5,4	-								●	
85	22	5,4	-								●	
90	25	5,4	-								●	
100	28	6,4	-								●	
<b>TYPE</b>				<b>A</b>	<b>A</b>	<b>A</b>	<b>A</b>	<b>A</b>	<b>A</b>	<b>A</b>	<b>A</b>	<b>B</b>
<b>T</b>				mm	35,0	38,0	47,5	57,0	70,0	85,5	108,0	127,0
Appr. Weight				kg	0,1	0,1	0,2	0,3	0,7	1,5	2,7	3,8
Screws				B.S.W.	1/4"	1/4"	3/8"	3/8"	7/16"	1/2"	5/8"	1/2"
Tightening torque				Nm	5,6	5,6	20	20	31	48	90	113

\* Bush with reduced height for keyway.