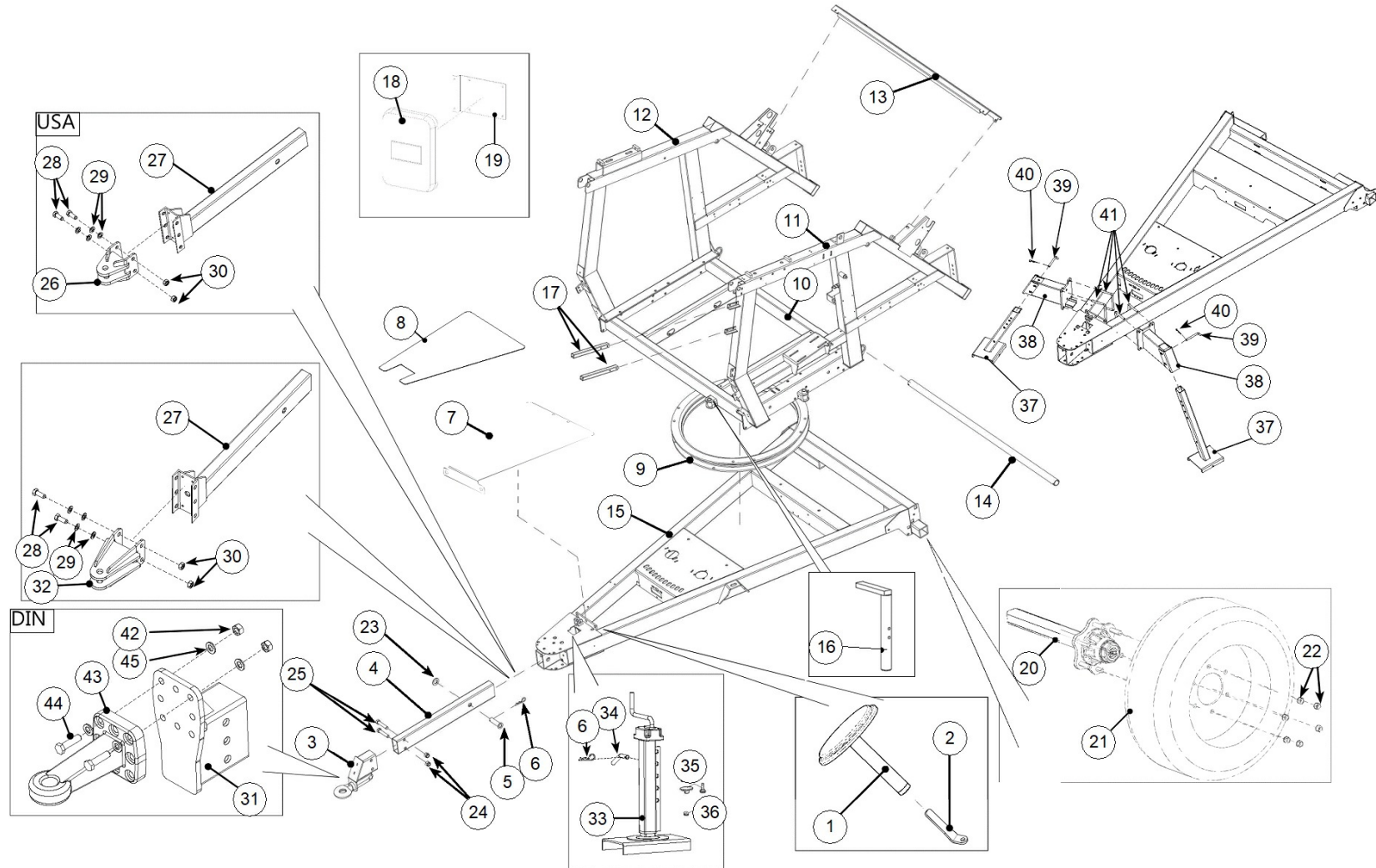




# Spare Parts Catalogue

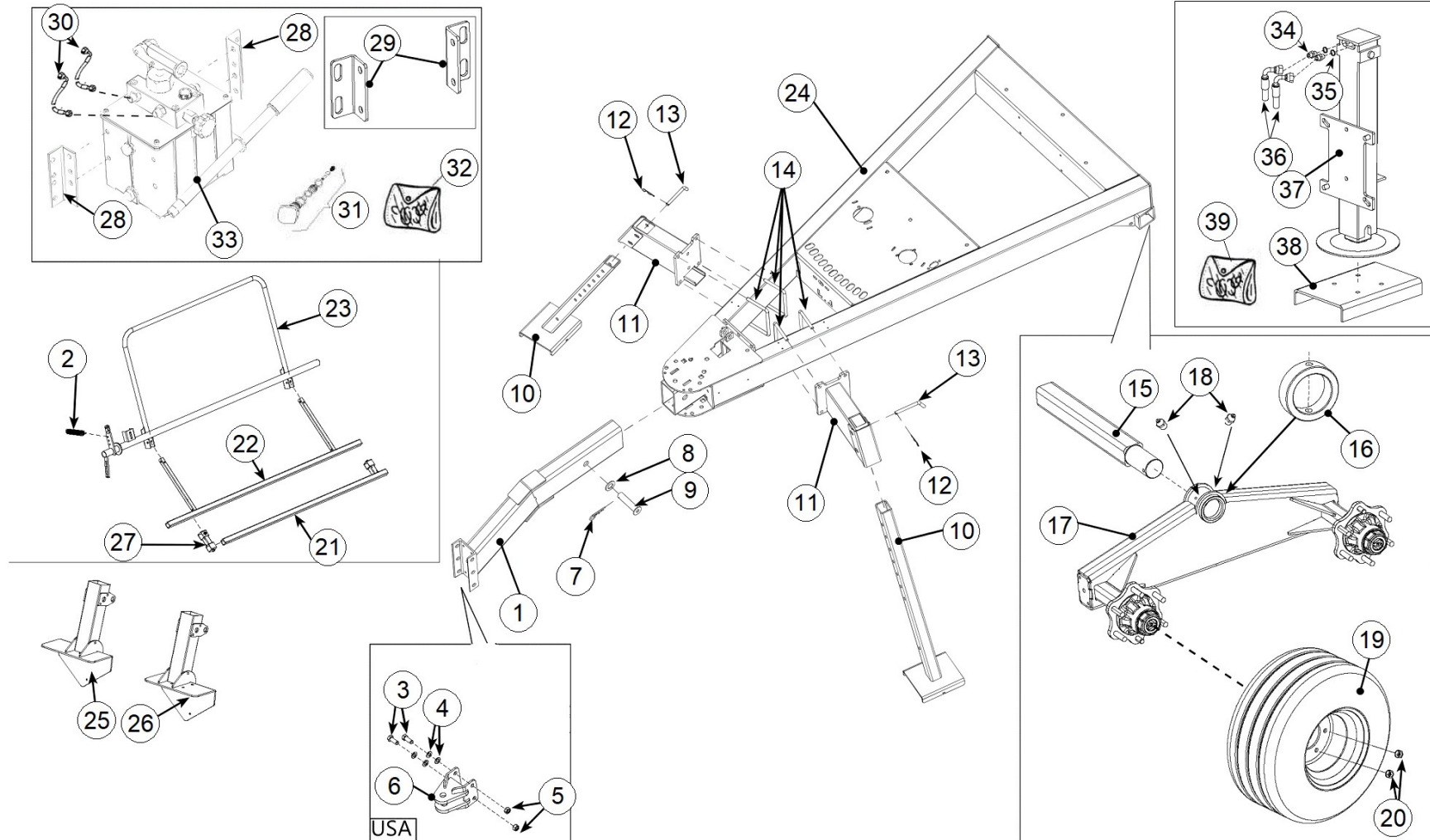
**VR7-VR7R**



Pos.	Code	Description	Note
1	99021100Z	P.T.O.HANDLE 1"1/2X290	
2	15460319Z	FIXING PLATE FOR P.T.O. HANDLE	
3	01503730A.7011	PARTE EST.TIMONESTD.VR VIR7VERNICIATO200X100	(xVR7)
3	01503740A.7011	PARTEEST.TIMONEOMOL.VRVIR7TIPO FRANCI D.50200X100	(xVR7R)
4	01503725Z	TUB 180X80X8X980 TP2F D313F D21 P INT.TIM.VR VIR7	
5	99000153Z	PAD-DRAWBAR D.30X130	
6	12505	R-SHAPED SPLIT PIN GALVANIZED D.5	
7	15485330Z	LAMIERA FORATA SP.20/10 454X635X PORTA ATT. VR7 PI	
8	15485312Z	GALVANIZED PLATE 460X625X2 MOD. GTS080B	
9	15485316	RALLA 1100 RTU 6FD.16 PASS. 4F D.16 MOD.VR7 CON AN	
10	15473210Z	GALVANIZED BASE MOD.G/F8 SPECIAL	
11	15485230Z	CAVALLOTTO DX VR7 ZINCATO	
12	15485260Z	CAVALLOTTO SX VR7 ZINCATO	
13	31485101Z	COVER FOR VR VIR 5-6-7 BAR L=2010 GALVANIZED	
14	15485216Z	GALVANIZED HOSE D48X1890	
15	15473350Z	CARRO VR7-7/1 (2019) PRED. X FRENI ARIA OMOL.EURO	(xVR7R 2R)
15	15485300Z	GALVANIZED CHASSIS G/F8	(xVR7 2R )
16	15483325Z	PIN	

Pos.	Code	Description	Note
17	15484282Z	TUBOLARE 30X30X3 L=500 X FISCARTER CREM.MO VR/VIR7	
18	25420103	BLACK BOX FOR DOCUMENTS	
19	25420105Z	GALANIZE SHAPE PLAET 275X180X25	
20	01851A.7011	ROUND STUB AXLE 70X70 C=610 RAL 7011	(xVR7 2R)
20	01920A.7011	SEMIASSE QUADRO 80X80 C=610 6F. VERN.7011	(xVR7R 2R)
21	00372	RUBBER WHEEL 12.5/80-15.3	(xVR7 2R)
21	00543	WHEEL 19.0/45-17 166 (22PR) CER.6F AW708	(xVR7R 2R)
22	01833	NUT M18x1,5	
23	11230	WASHER M30 UNI 6592FE GALVANIZED	
24	14215	NUT M20	
25	10211	SCREW TE M20X120 UNI 5737 8.8	
26	01001320Z	DRAWBAR 120	
27	15485140Z	DRAWBAR EXTENSION MOD. VR7 VIR7	
28	10299	SCREW TE M20X50 UNI 5739 8.8 GALVANIZED	
29	11220	WASHER	
30	11121	BOLT M20 UNI 5588 ZINC-PLATED	
31	01503720Z	GALVANIZED ATTACHMENT FOR FIXED TOWING EYE	
32	01001260Z	HITCH	

Pos.	Code	Description	Note
33	15486367S	KIT APPOGGIO Q70X500 MAN.SUP.ZINC VR7	
34	99000155Z	GALVANIZED PIN FIXING Å~20 X 180	
35	00155	GEAR FOR JACK 00101	
36	40036	BEARING 51205 FOR JACK 00101	
37	15248440Z	SPRAY BOOM FOOT 60X60X670 D.16	
38	15485480Z	SUPP. PIEDINO TIPO ALA ZINCATO X RV7-7/1 (2019)	
39	99019107Z	SPINA 14X180 120' 1F D.5.5	
40	12503	R-SHAPED SPLIT PIN GALVANIZED D.3	
41	15487	CAVALLOTTO QUADRO X TUBOL.200-M14 201X138/41 ZINC.	
42	11116	NUT M16 6S UNI 5588 ZINC-PLATED 16M	
43	00017	OCCHIONE FLANGIATO FISSO D.40CAR.VERT.2500 KG.OM.E	
44	10164	SCREW TE M16X40 UNI 5739	
45	11216	WASHER M16 UNI6592 FE ZINC-PLATED M	

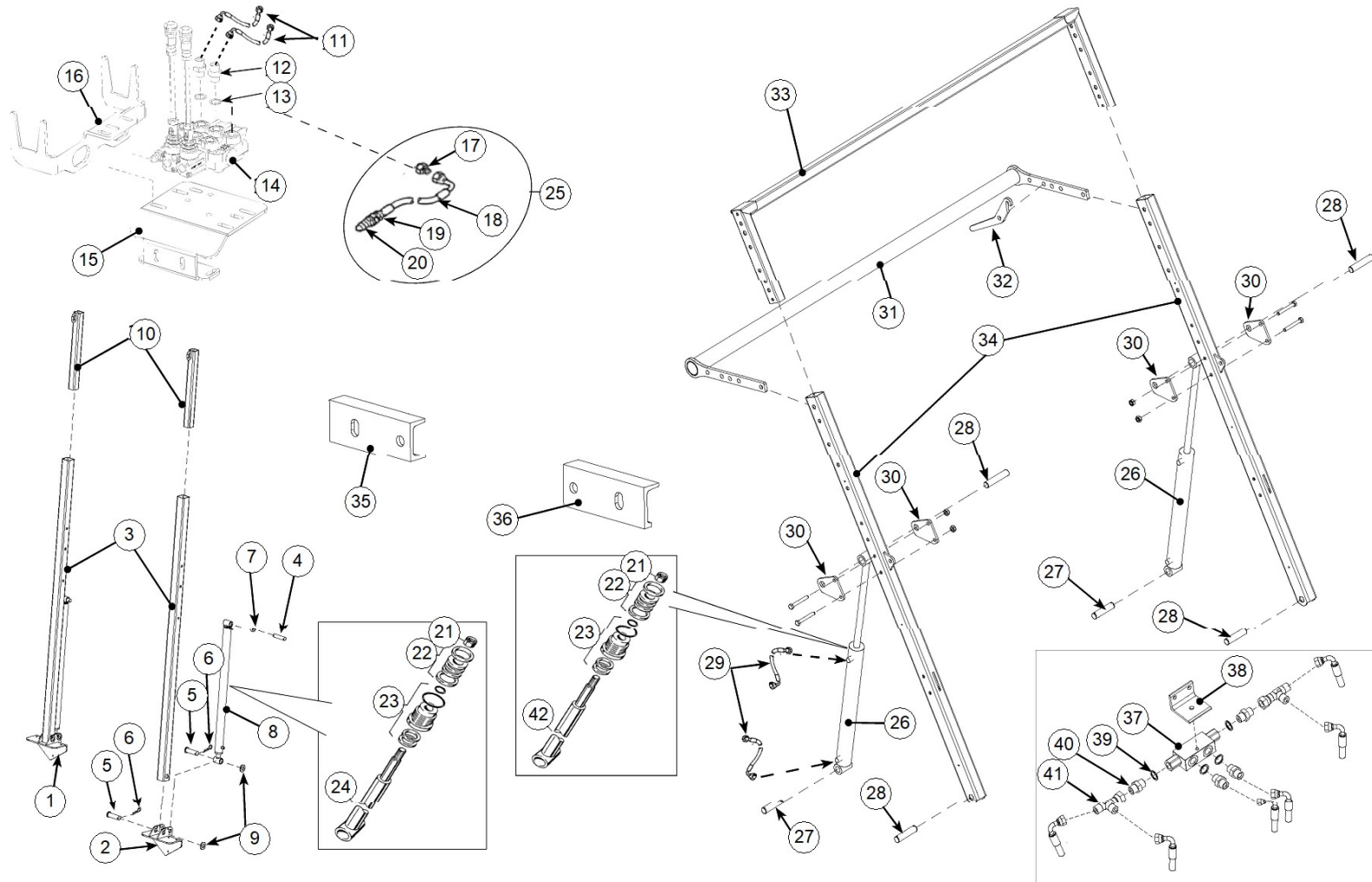


Pos.	Code	Description	Note
1	15500500Z	PROLUNGA TIMONE X VR7 4 RUOTEX ABBASSARE TIMONE	
2	99000006Z	SPRING D.38- 175 FOR SPEED REGULATOR	
3	10299	SCREW TE M20X50 UNI 5739 8.8 GALVANIZED	
4	11220	WASHER	
5	11121	BOLT M20 UNI 5588 ZINC-PLATED	
6	01001320Z	DRAWBAR 120	
7	12505	R-SHAPED SPLIT PIN GALVANIZED D.5	
8	11230	WASHER M30 UNI 6592FE GALVANIZED	
9	99000153Z	PAD-DRAWBAR D.30X130	
10	15248433Z	PUNTALE PIEDE TIPO ALA 60X60X950 4R ZINCATO	
11	15485480Z	SUPP. PIEDINO TIPO ALA ZINCATO X RV7-7/1 (2019)	
12	12503	R-SHAPED SPLIT PIN GALVANIZED D.3	
13	99019107Z	SPINA 14X180 120' 1F D.5.5	
14	15487	CAVALLOTTO QUADRO X TUBOL.200-M14 201X138/41 ZINC.	
15	15537110A.7011	WHEEL SUPPORT 4R D.76 1F D.12,5	
16	15537125Z	COLLAR VR 7-8 Di.76 De.105 L=30 1F D.12.5	
17	15537770A.7011	WHEEL BALANCE MOD. VR8A - VR7	
18	12001	GREASER 10X1,5 MA	

Pos.	Code	Description	Note
19	00322	RUBBER WHEELS 11.5/80-15.3	(xVR7R 4R)
19	00336	RUBBER WHEEL 10.0/75-15.3 12PR 6F F	(xVR7 4R)
20	01833	NUT M18x1,5	
21	26500160Z	EXTENSION FOR STABILAZER	
22	26537320Z	LOW STOP BAR	(xVR7 2R)
22	26537325Z	LOWER STABILIZER L=475mm	(xVR7R 2R-4R E VR7 4R)
23	26537310Z	HIGH STOP BAR	
24	15485400Z	VR7 4 WHEELS CHASSIS	
25	15472130Z	RIGHT LEG SUPPORT	
26	15472140Z	LEFT LEG SUPPORT	
27	26500170Z	EXTENSION FOR STABILIZER	
28	15701702Z	PROFILE "L" 40X40X4 L=140 8F D.11	
29	15701709Z	L SHAPED 40X40X4 L= 100	
30	75470130	HOSE	
31	GL007	MANUAL OIL FLOW INVERTER KIT	
32	GL001	SEAL KIT FOR HYDR.HAND PUMP X GLDE25/28 NEW TYPE	
33	03748	PUMP	
34	13901	NIPPLE 3/8" - 3/8" HYDRAULIC TYPE	



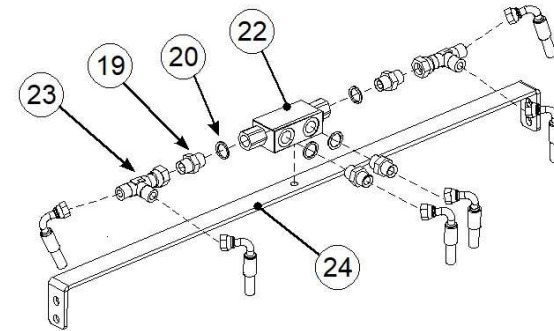
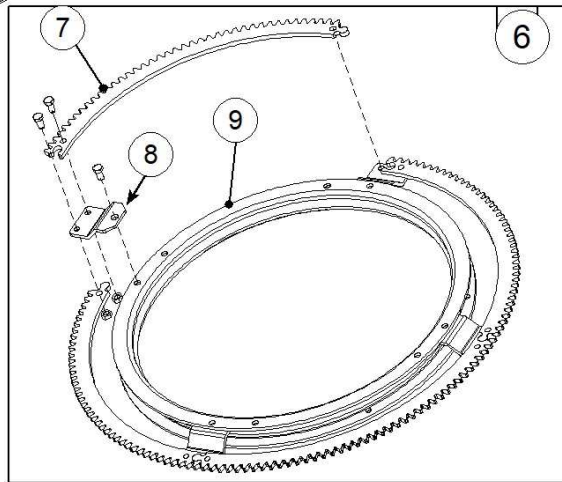
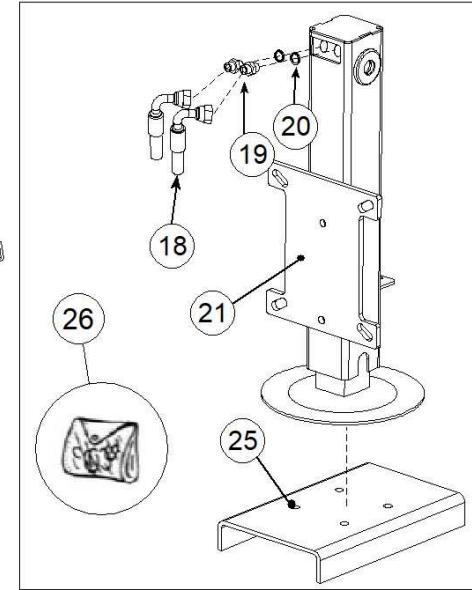
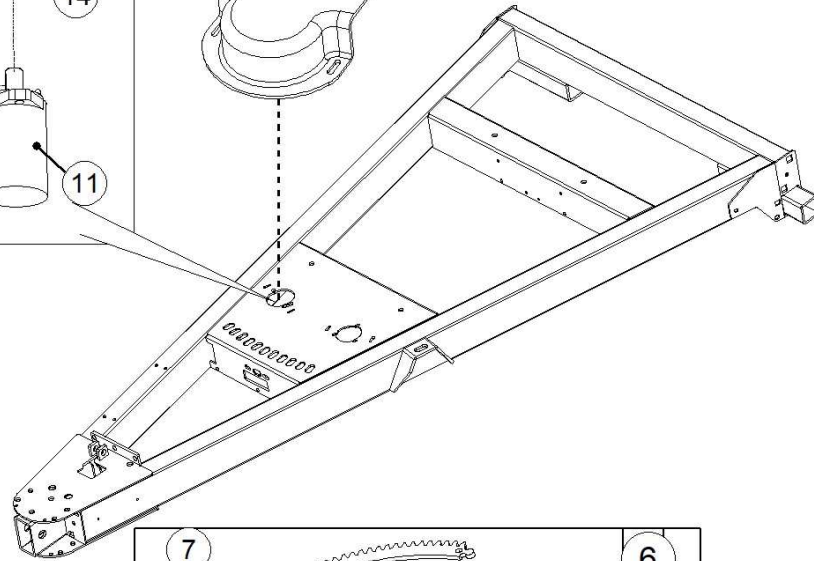
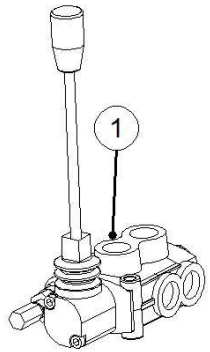
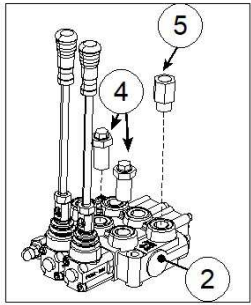
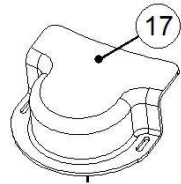
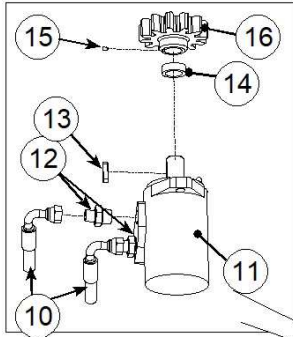
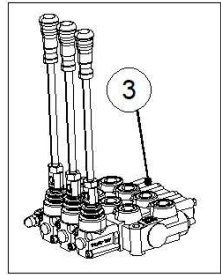
Pos.	Code	Description	Note
35	14001	COPPER WASHER 3/8"	
36	75450320	TUBING FOR HYDRAULIC JACK	
37	15484324Z	PIEDINO PIP06 X VR 5-6-7 A 4R X INGR. C/CONTALITRI	
37	15484325Z	STABILEZER GALVANIZED FOR 4 WHEELSVR 5-6-7	(xVR7 4R - VR7R 4R )
38	15537160Z	PLATE MOD.IR3-IR4 400X250X60 SP.80/10 GALVANIZED	
39	PIPO501	SEAL KIT FOR HYDRAULIC FOOT PIPO5-PIPO6	



Pos.	Code	Description	Note
-	15710141Z	CANNOTTO 90X90X5 L=2950 2F D.31SPES.MAGG. x VR7	(xVR7R)
1	15472110Z	FOOTPLATE RIGHT VR VIR 5-6-7	
2	15472120Z	FOOTPLATE LEFT VR VIR 5-6-7	
3	15710140Z	TUBE 90X90X4 L=2950 1HOLE	(xVR7)
4	99000151Z	PIN D.25X135 GALVANISED	
5	99000153Z	PAD- DRAWBAR D.30X130	
6	12505	R-SHAPED SPLIT PIN GALVANIZED D.5	
7	99000154Z	BOCCOLA DE.42,4 DI. 26,4 L=32 DIST.PISTONI ANCORAG	
8	03621Z	PISTON D.60X1500 VR6-7-8A GALVANIZED	
9	11230	WASHER M30 UNI 6592FE GALVANIZED	
10	15500140Z	GALVANIZED SUPPORT 80X80X5X700 MOD. ES2G - F4G	
11	75470610	IRON PIPE FOR HYDRAULIC LIFT	
12	13901	NIPPLE 3/8" - 3/8" HYDRAULIC TYPE	
13	14001	COPPER WASHER 3/8"	
14	02701	DISTRIBUTOR 2 LEVERS SPRING RETURN3/8-2	
15	80006020Z	PLATE SUPPORT DISTRIBUTOR 1-2-3 LEVERS GALVANIZED	
16	80000615Z	LAMIERA SAG. 300X125X154X6 2 ASOLED.34 ARROTOL. TU	
17	14002	ALUMINUM WASHER 1/2"	

Pos.	Code	Description	Note
18	31375	HYDR. PIPE 3/8"	
19	14703	1/2" - 3/8" NIPPLE	
20	13806	HYDRAULIC COUPLINGS MALE 1/2"	
21	14219	NUT M18	
22	ATF002	KIT OF SEALS FOR PISTON D.E. 60-100	
23	02635	PISTON HEAD COMPLETE WITH SEALS De.60 Di.30	
24	02619	DRAWBAR PISTON ROD L=1500 D=30	
25	75000100	GRUPPO JECK TRATTORE TIPO RALLAC/TUBI L=2000	
26	02594Z	GALVANIZED DOUBLE EFFECT HYDRAULIC PISTON D.60X510	
27	99000167Z	PIN Ã~25x120	
28	99000132Z	PIN D.25X105 2F.D5, GALVANIZED	
29	75470645	HYDRAULIC HOSES KIT FOR INDEPENDENT TROLLEY	
30	35460118Z	PLATE FOR FIXING HYDRAULIC PISTON	
31	35538240Z	HOOK FOR LIFT TROLLEY	
32	35538243Z	LEVER FOR HOOK LIFT TROLLEY	
33	35472130Z	UPPER LIFTING DEVICE MOD. VR6 GALVANIZED L=2005	
34	35460110PR	CARIC.LAT.R3A-VR7 70X50X4X1752 C/FISS.CAVI A 1000	
35	26537817Z	PROFILO "U" 60X30X6,5 L=160 SAG.DX CORR. VIR10A	

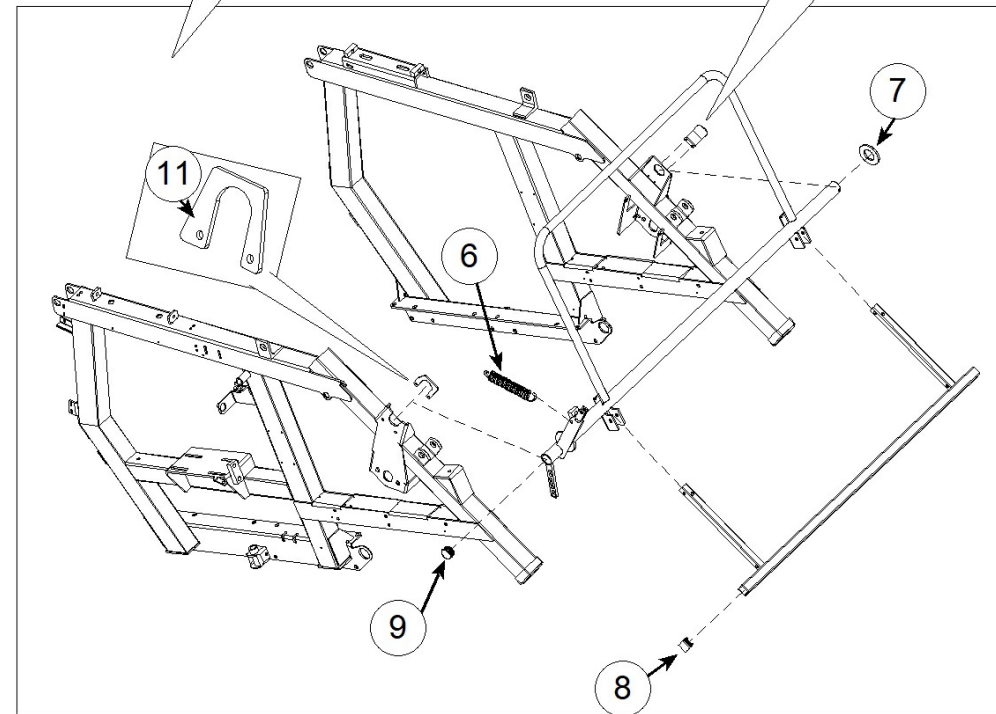
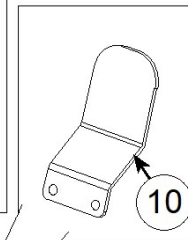
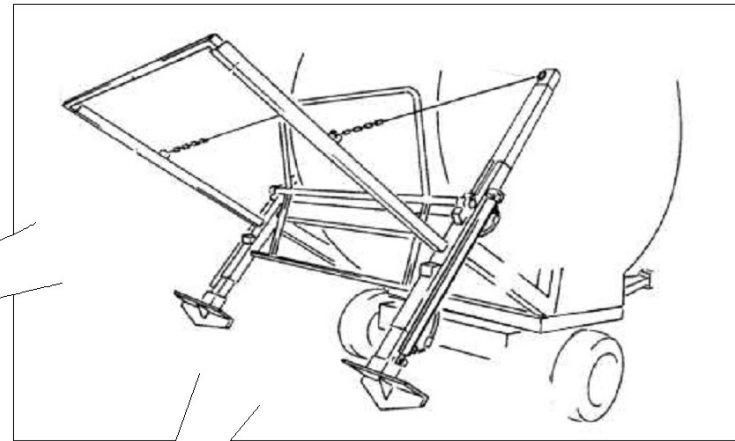
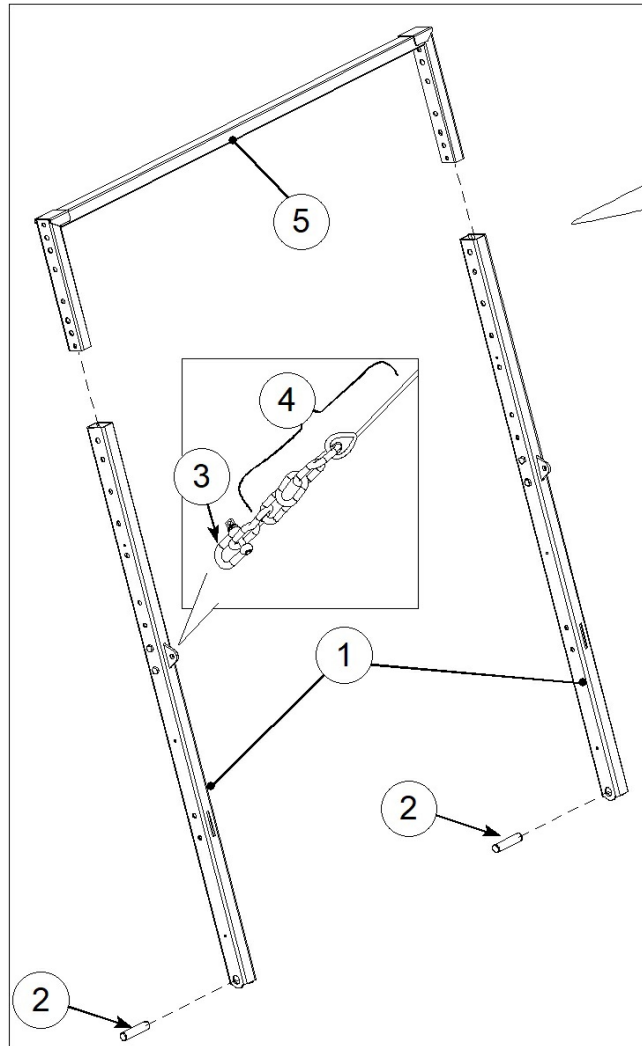
Pos.	Code	Description	Note
36	26537818Z	PROFILO "U" 60X30X6,5 L=160 SAG.SX CORR. VIR10A	
37	03204	LOCK VALVE PDB3/8" + SCREW AND WASHER	
38	15484228Z	"L" CROSS 60X40X5 L=60	
39	14001	COPPER WASHER 3/8"	
40	13901	NIPPLE 3/8" - 3/8" HYDRAULIC TYPE	
41	13805	3/8" T-SHAPED ADAPTER MMF 194017171	
42	02657	STELO CR. D30X 875 TORNITO (X PIST.02594)	



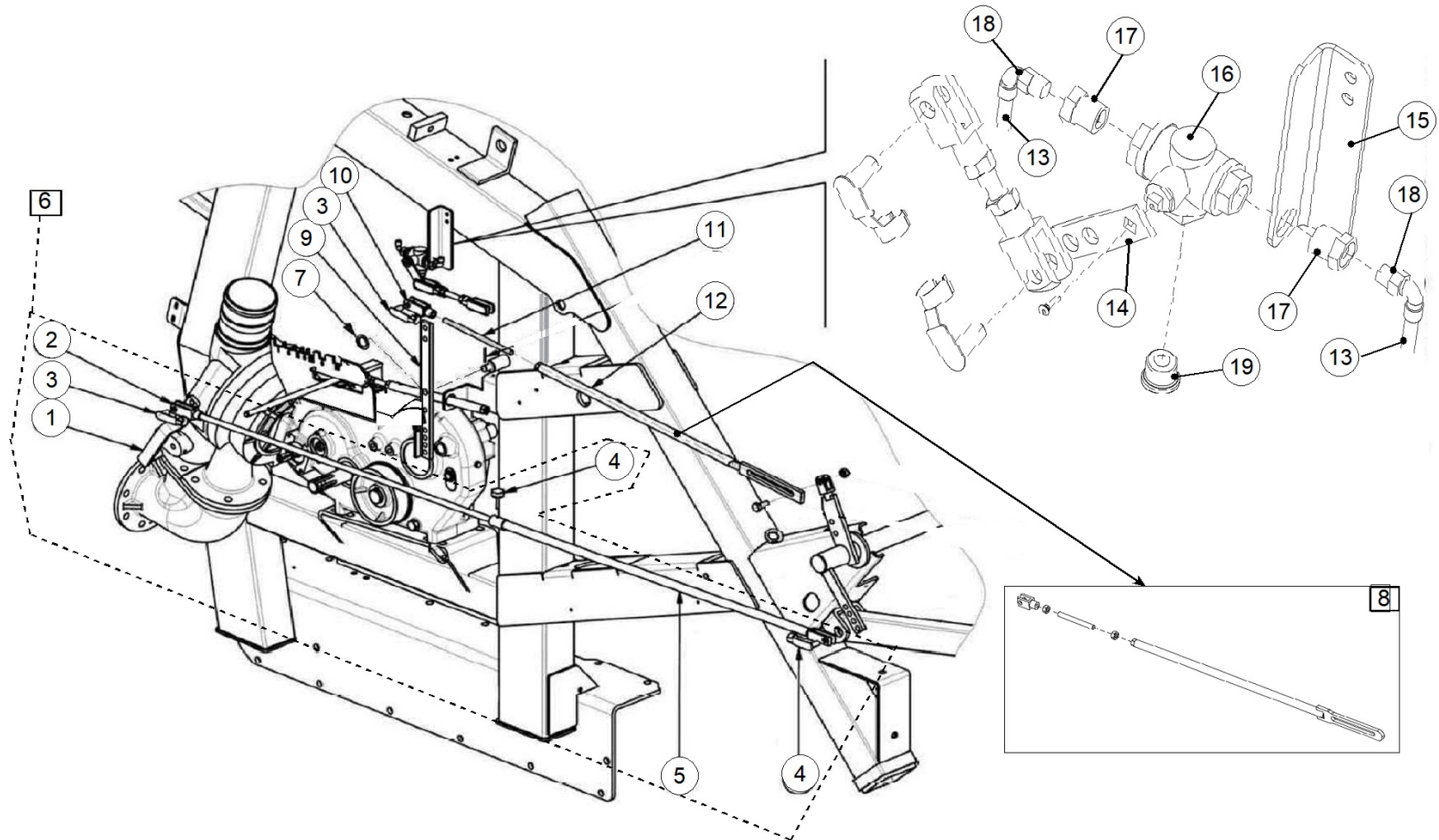
Pos.	Code	Description	Note
-	15660740Z	PIEDINO PIPPO 5 ALES.70C/PIASTRAX VR7/1 ZINCATO	(xVR7R 2R )
1	02700	DISTRIBUTOR 1 LEVERS SPRING RETURN 3/8- 1	
2	02701	DISTRIBUTOR 2 LEVERS SPRING RETURN3/8-2	
3	02702	DISTRIBUTOR 3 LEVERS SPRING RETURN3/2 3	
4	13835	THROTTLE	
5	13915	COLONNETTA IDRAULICA M-F 3/8"	
6	15485315PR	RALLA 1100 C/4 SETTORI DENTATI X ROT. IDR.MECC.VR7	
7	15484273Z	SETTORE DENTATO Z=43 FE 37 X CORONA DENTATA SVASAT	
8	15484276Z	PIASTRINO SAG. 82.5X45X100 2F D14.5 1F D.17 X ROT.	
9	15485316	RALLA 1100 RTU 6FD.16 PASS. 4F D.16 MOD.VR7 CON AN	
10	75470620	SERIE TUBI X ROTAZ. IDR. VR 5-6-7	
11	32404	HYDRAULIC MOTOR DISPLACEMENT 315	
12	14703	1/2" - 3/8" NIPPLE	
13	11506	KEY 8X7X30 UNI 6604/A	
14	80001701Z	BUSHING De.35-Ei.25.1+0.1 L=10	
15	11406	GRUB SCREW 6X10 592	
16	02227Z	PIGNONE Z=12 M=7 D=25 CH=8 IN C45RID.GI20 2001.070	
17	88710723/7	PROTECTION COVER OF HYDRAULI	

Pos.	Code	Description	Note
18	75450320	TUBING FOR HYDRAULIC JACK	
19	13901	NIPPLE 3/8" - 3/8" HYDRAULIC TYPE	
20	14001	COPPER WASHER 3/8"	
21	15660692Z	GALVANIZED FOOT WITH PLATE MOD. VR5 - VR6 - VR7	(xVR7 2R )
22	03204	LOCK VALVE PDB3/8" + SCREW AND WASHER	
23	13805	3/8" T-SHAPED ADAPTER MMF 194017171	
24	80460137Z	LAMIERA PIEG.779X70X30 SP.5 FISS.VALV.BLOCC VR7(BA	
25	15537160Z	PLATE MOD.IR3-IR4 400X250X60 SP.80/10 GALVANIZED	
26	PIPO501	SEAL KIT FOR HYDRAULIC FOOT PIPO5-PIPO6	





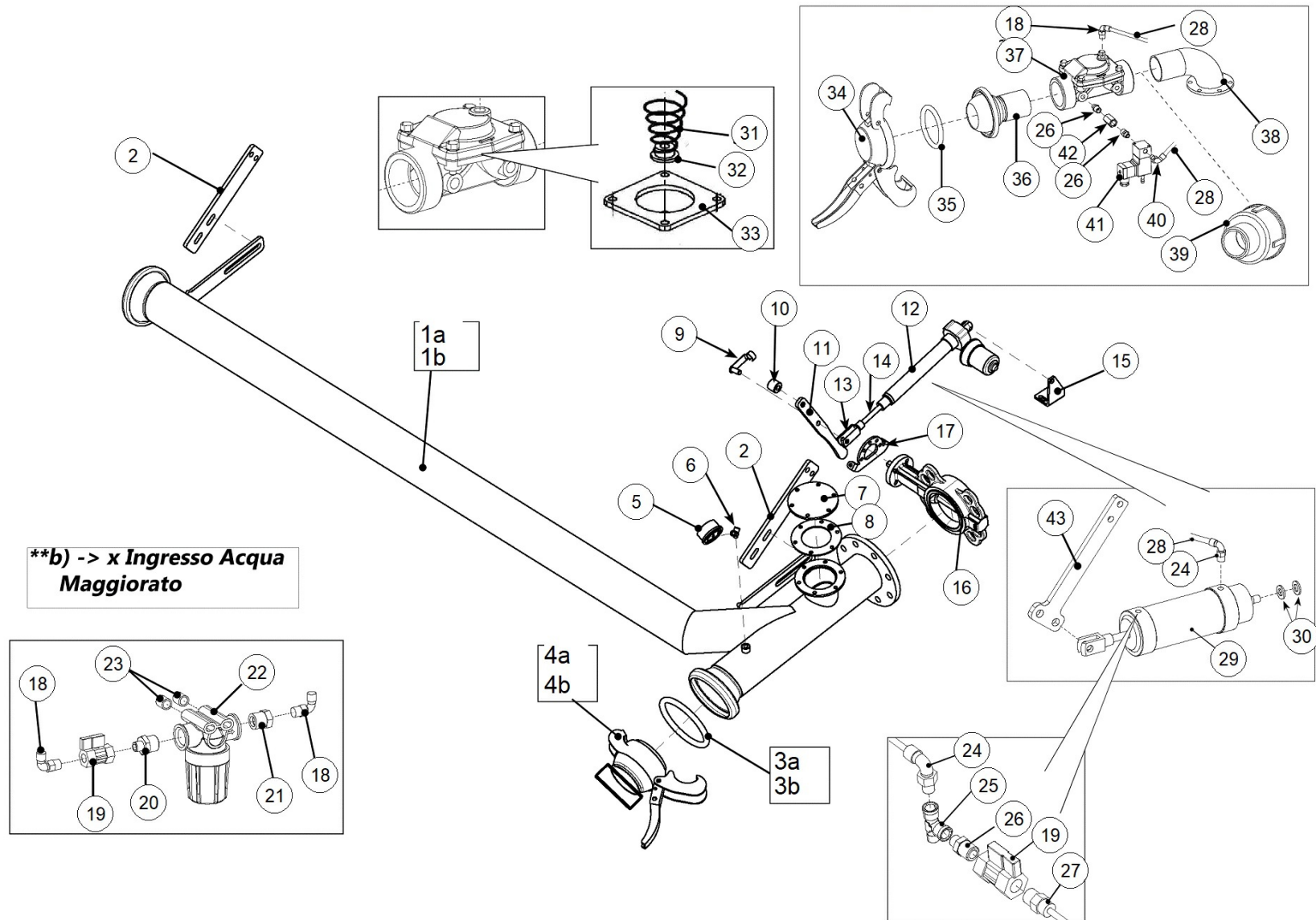
Pos.	Code	Description
1	35460110PR	CARIC.LAT.R3A-VR7 70X50X4X1752 C/FISS.CAVI A 1000
2	99000132Z	PIN D.25X105 2F.D5, GALVANIZED
3	13605	7/16" GALVANIZED DOWEL M11 ART.117
4	15024	STEEL CABLE D6 MT.2,38
5	35472130Z	UPPER LIFTING DEVICE MOD. VR6 GALVANIZED L=2005
6	99000006Z	SPRING D.38- 175 FOR SPEED REGULATOR
7	15661616Z	RONDELLA DE.92 DI.50,5 SP.8VID.C
8	30516	TIGHT CAP 40X40X3
9	30544	NYLON PLUG D.44 1"1/2
10	26537405Z	PIASTRINO PIEG. 50X30X109 2F D.6.5PROT. CAVO CARIC
11	15485241Z	PLATE



Pos.	Code	Description
1	83247179Z	BYPASS LEVER T17 MOD. VR7 VIR7 GALVANIZED
2	99248007Z	GALVANIZED LEVER L=850
3	13003	CLIPS D.12x48 GALVANIZED
4	00861	VARIATOR KNOB D.6
5	99005038Z	GALVANIZED BAR D14X1,5X1250
6	99211135S	KIT X LEVERAG.BY-PASS MECC.TURB.X VR VIR 3-4-5-6-7
7	11216	WASHER M16 UNI6592 FE ZINC-PLATED M
8	99470211	LEVER D21X860
9	99211109Z	GALVANIZED LEVER MOD. VR7 - VIR7
10	13405	FORK 12MA UNI 1676
11	99012360	TIRANTE M12X220 SM.
12	99460110Z	ROD D21X860
13	30901	RILSAN HOSE D.6X4
14	99000059Z	GALVANIZED PLATE 25X5X85 ( FOR COCK)
15	15486245Z	"L" BRACKET 40X40X4 L=165 2F D.9 1F D.21,8
16	12901	3" WAY VALVE
17	12801	1/2"MALE- 1/4"FEMALE ADAPTOR
18	13201	CONNECTION 90' 1/4"X6X4

005

Pos.	Code	Description
19	13103	PLUG TE 1/2",MALE



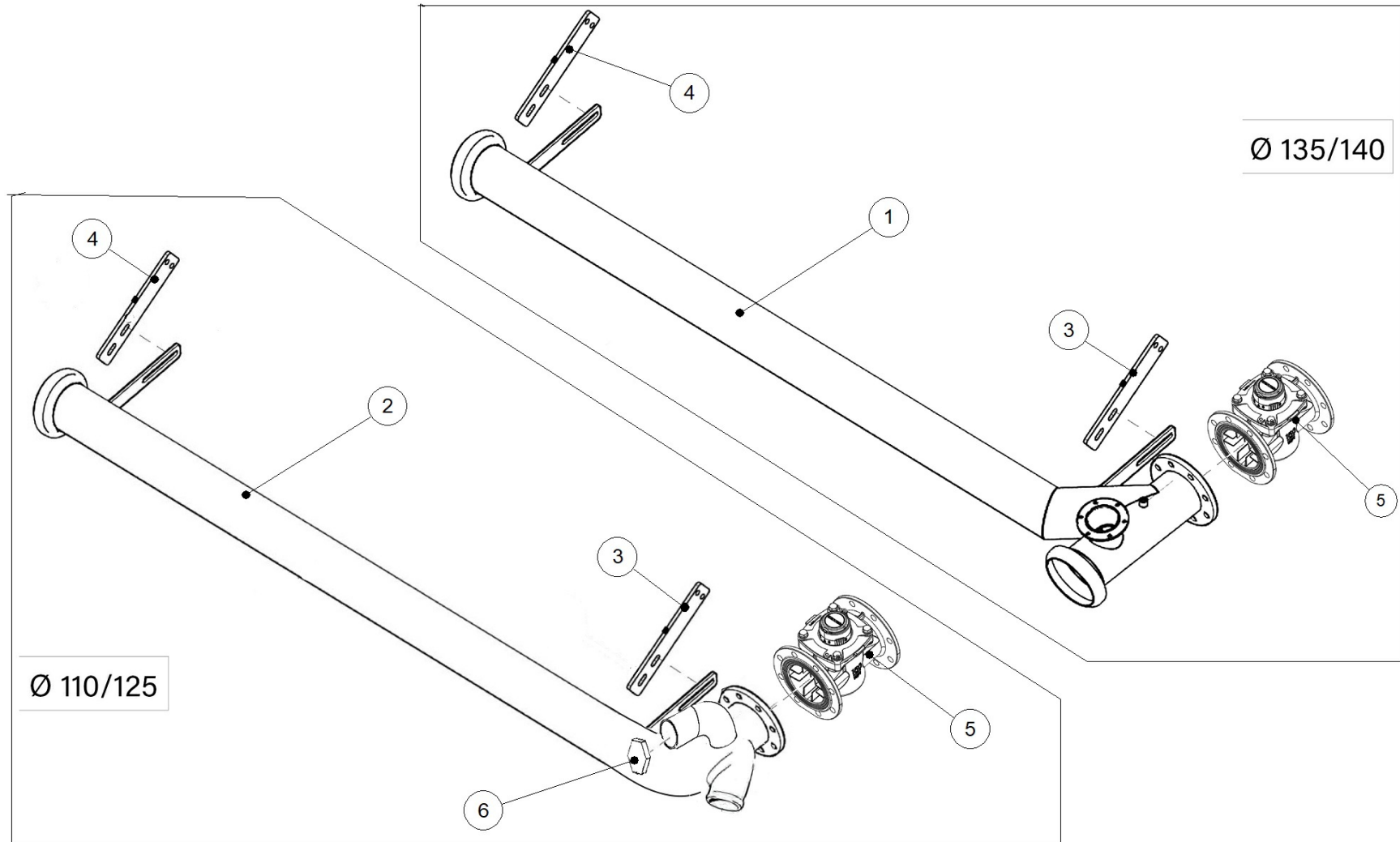
Pos.	Code	Description	Note
1a	51461600Z	GALVANIZED INLET WATER VR-VIR 5#7 108 BAUER	(Ø100...Ø125)
1b	51461700Z	GALVANIZED INLET WATER D.135-150 VR-VIR 5-6-7	(Ø135-Ø140)
2	51460605Z	PIATTO 60X10 L=330 3F D.14 SOSTEGNO X INGRESSO ACQ	
3b	31410	BAUER SEAL D.133	(Ø135-Ø140)
3a	31418	BAUER SEAL D.108	(Ø100...Ø125)
4b	21510ZC	MALE CUP D.133 BAUER GALVANIZED	(Ø135-Ø140)
4a	21511ZC	MALE GALVANIZED BAUER D.108 PLUG	(Ø100...Ø125)
5	01701	GLYCERINE PRESSURE GAUGE 0%16 ATM C	
6	13814	CONNECTION 1/4"	
7	60001124Z	FOR INLET WATER	
8	99001011	GUARNIZIONE GOMMA DE.135 DI.80 6FD.9 INT. 117	
9	13003	CLIPS D.12x48 GALVANIZED	
10	99285008	BUSH DE.30 DI.14 L=25 2F M6 GALVANIZED	
11	83401102Z	LEVER FOR SHUT OFF VALVE DN80 30X30X260	
12	05108	ACTUATOR ALI3/120/5/24V - IP65	
13	13405	FORK 12MA UNI 1676	
14	99012354	TIE ROD M12x90 Sm.	
15	83475403Z	PIATTO 95X60X55 2 ASOLE D.11 1F D.12,5 AGG. PIST.	

Pos.	Code	Description	Note
16	01558	BUTTERFLY VALVE B.V.28 DN100	
17	83401108Z	STOP FLASK FOR BUTTERFLY DN65#100	
18	13201	CONNECTION 90' 1/4"X6X4	
19	14608	BALL PLUG 1/4"	
20	12825	GALVANIZED CONICAL NIPPLE 1/4"-1/2"	
21	12801	1/2"MALE- 1/4"FEMALE ADAPTOR	
22	41004	FILTER 1/2"	
23	99015006	ALU PIPE D.15 SP.2 L= 16	
24	13202	ROTATING CONNECTION 90'1/8"X6X4	
25	13804	T-SHAPED 1/8" F.F.M. ADAPTER,	
26	12820	GALVANIZED CONICAL NIPPLE 1/8"-1/4"	
27	12701	STRAIGHT FITTING 1/4"X6X4	
28	30901	RILSAN HOSE D.6X4	
29	03600	PISTON FOR VALVE D.70/130	
30	03647	SET OF BRASS SEALS FOR PISTON D.70FOR SHUT OFF VAL	
31	01523	HYDR.VALVE SPRING 2"& 3"	x2" e x3"
32	01524	SPRING PLATE	x2" e x3"
33	01522	SEAL FOR VALVE 2" AND 3"	x2"



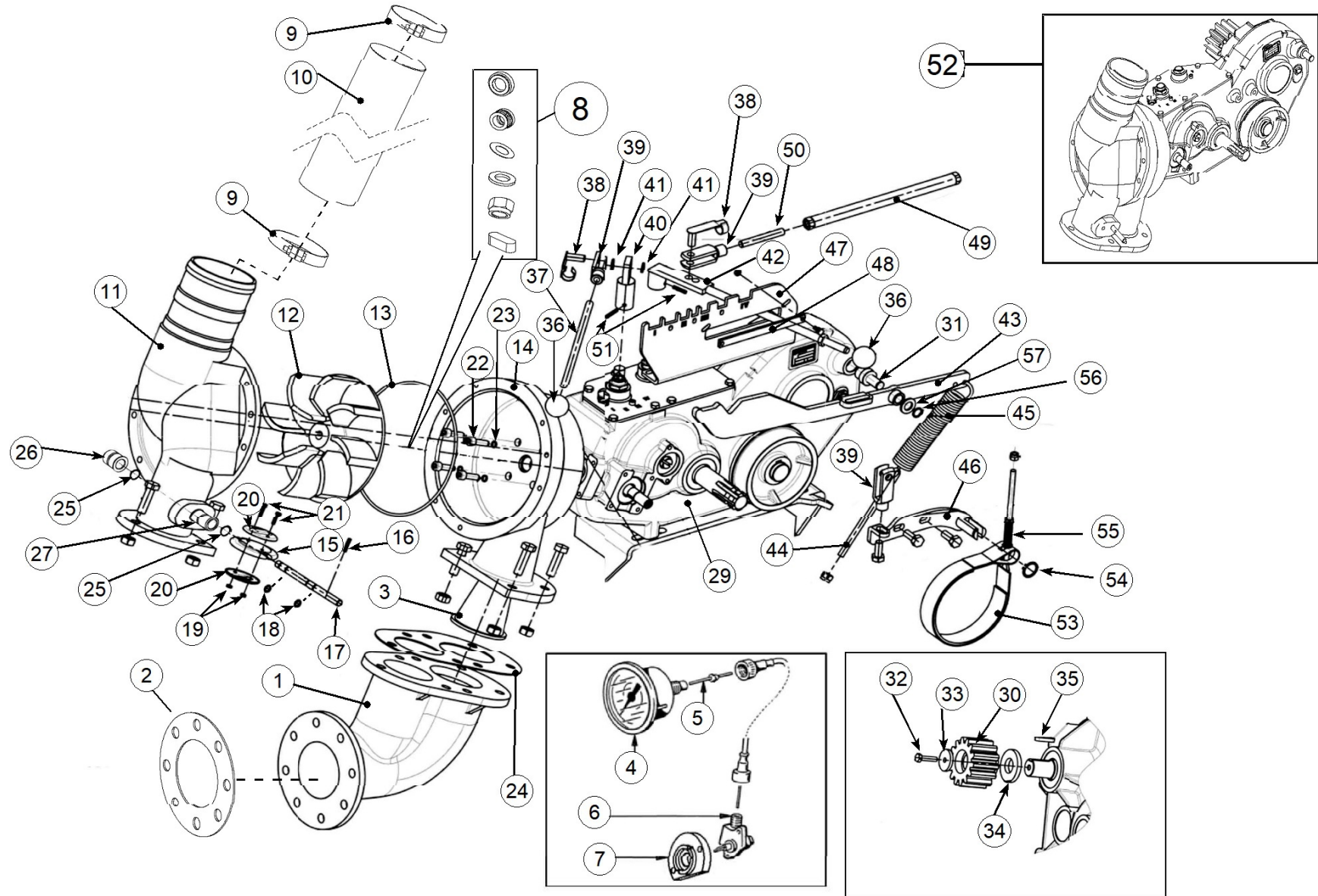
Pos.	Code	Description	Note
33	01532	MEMBRANE FOR HYDRAULIC VALVE 3"P.T.	x3"
34	21405Z	GALVANIZED FERRARI FEMALE PLUG D.80	x3"
34	21406Z	GALVANIZED FERRARI FEMALE PLUG D.60	x2"
35	31606	FERRARI SEAL D.60	x2"
35	31608	FERRARI SEAL D.80	x3"
36	99020250Z	VALVE SUPPORT 3" WITH HALF JOINT FERRARI MALE	x3"
36	99020300Z	SUPPORT VALVE 2" WITH HALF JOINT 60 FERRARI MALE	x2"
37	01504	HYDRAULIC VALVE 2"	2"
37	01506	DISCHARGE VALVE 3" 12 ATM	3"
38	51461610Z	FLANGE D.135 + ELBOW + 3" THREADED COUPLING	x2" e x3"
39	12867	RIDUZIONE 3"F - 2"M ZINC.	x2"
40	13202	ROTATING CONNECTION 90'1/8"X6X4	
41	70033	ELECTRIC VALVE 305 C 1,5	
42	13910	FROG HYDRAULICS F-F 1/4" H=30	
43	83475401Z	PIATTO 255X70X30 2F D.14 2F D.11VALVOLA ENTR. X VR	

**WATER INLET**



## WATER INLET

Pos.	Code	Description
1	51460770Z	INGRESSO ACQUA 135#150 VR VIR 5-7 X C/CONTALIT M
2	51460660Z	INGRESSO ACQUA 110#125 VR VIR 5-7 X C/CONTALITRI M
3	51460412Z	PIATTO 60X10 L=440 4 FORI D.13X INGR.C/LITRI R4/2A
4	51460413Z	PIATTO 60X10 L=458 4 FORI D.13X INGR.C/LITRI R4/2A
5	50288	ZEHNER WATER METERS DN 100 UNCALIBRATE
5	50354	WATER METERS DN 100 CALIBRATE
6	21508	SCREW CAP 3"



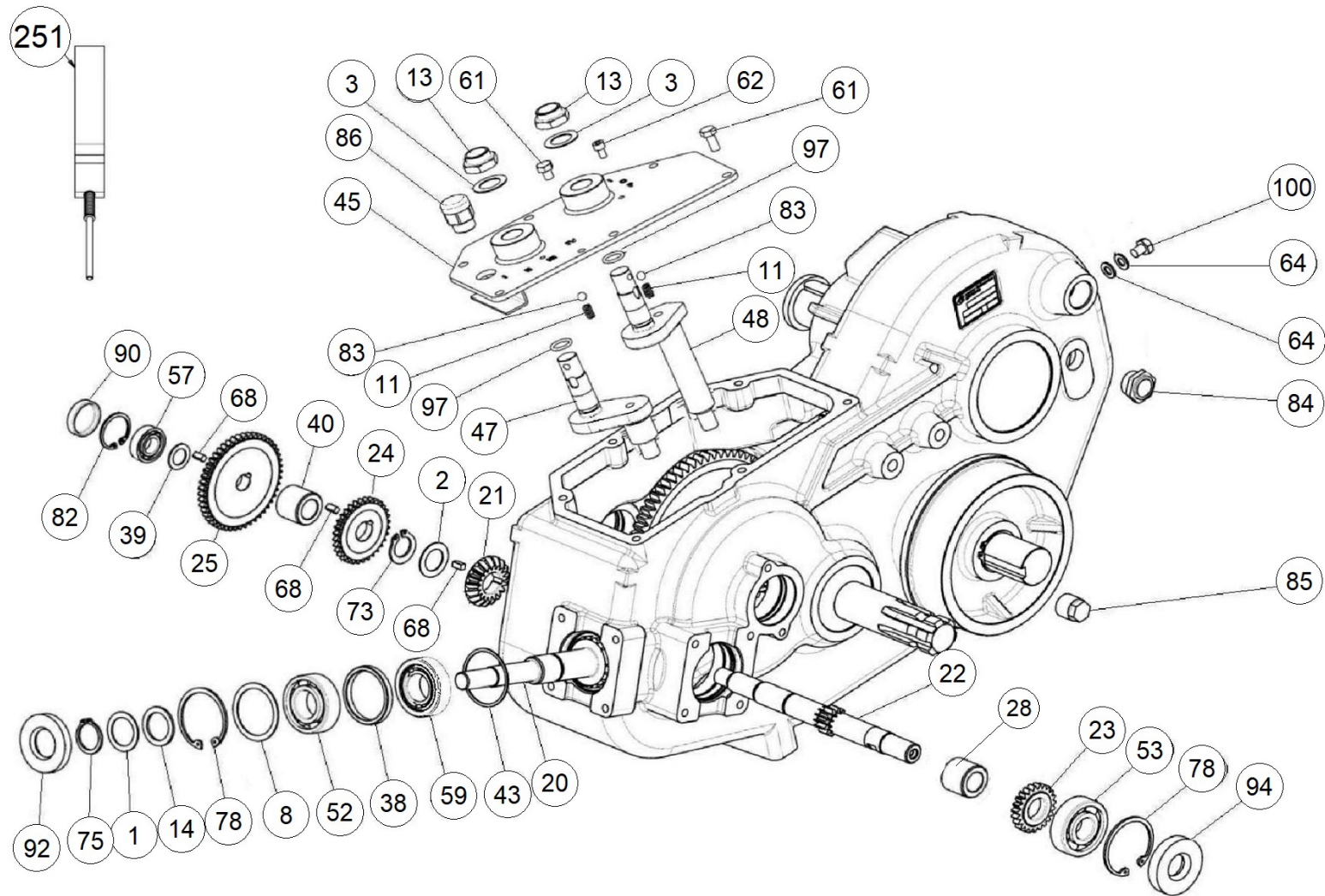
Pos.	Code	Description	Note
1	99008804	TURBINE LOWER CONNECTION T17	
2	99000210	RUBBER GASKET 220-105 8H. D18	
3	99007928	TURBINE NOZZLE D.48 T9/T13	Ø 140
3	99007931	TURBINE NOZZLE D.38 T9/T13	Ø 120
3	99007931	TURBINE NOZZLE D.38 T9/T13	Ø 125
3	99007931	TURBINE NOZZLE D.38 T9/T13	Ø 135
3	99007931	TURBINE NOZZLE D.38 T9/T13	Ø 110
3	99007934	TURBINE NOZZLE D.34 T9/T13	Ø 100
4	01228	TACHOMETER TL90 FOR 854 GEARBOX 0-200 MT/H	MT.
4	01229	TACHOMETER TYPE TL90 X 854 USA 0-656 FT/H	FT.
5	01405	TRANSMISSION L=800 W/H PROT. COVER.	
6	01309	ANGLE TRANSMISSION FOR 742/744	
7	01240	FLANGE FOR 854 GEARBOX DE.84 SP.16 ALUMINIUM	
8	KITTURB.A18.010DX	ATION T17 - T20	
9	12410	MIKALOR INOX CLAMP 131-139	
10	99022933	PIPE GOMMAFLEX 15 ATM DI.120 DE.132 L=760	
11	99008802CB	TURBINE COVER T17	
12	99008803	IMPELLER FOR TURBINE T17	

Pos.	Code	Description	Note
13	04258	OR 4975 SEAL	
14	99008801	TURBINE T17	
15	99008810	BY PASS THROTTLE T17	
16	15906	PIN D.5X25 FOR BYPASS	
17	99008451	BY PASS SHAFT T13 D.12X177	
18	30056	OR SEAL 611 FOR BY PASS T13/12	
19	11130	DADO INOX M5 ISO 4032	
20	05307	BY PASS STEEL WASHER D. 62	
21	10281	VITE TE M5X25 INOX UNI5739 DIN933	
22	10425	SCREW TCCE M8X20	
23	14005	WASHER M 8X12 SP.1,5	
24	99001010	RUBBER SEAL De.200-160 FOR TURBINET13	
25	03730	SEAL OR 2X14	
26	01242	BUSHING DA.20 DE.18 DI.12 L=22	
27	01241	BUSHING DA.20 DE.18 DI.12 L=30	
29	02180	RIDUTTORE D854A 4 VEL. VR7 - VIR7 VERNICIATO	
30	02230	PINION Z=14 M=7 D.40 L=70 742-744	
31	99211097Z	PIN D.16 L=57	

Pos.	Code	Description	Note
32	10192	SCREW TE M10X35 UNI 5739 8.8 GALVANIZED	
33	11235	WASHER DI 10,5 DE 50 SP.5	
34	15211105Z	SPACER DE.60 DI.40,5 L=5	
35	GI2062	KEY 12X8X45 UNI 6604/A	
36	12601	BALL GRIP D.40- 12MA	
37	99248014Z	THREADED TUBE D12X320	
38	13003	CLIPS D.12x48 GALVANIZED	
39	13405	FORK 12MA UNI 1676	
40	99211110Z	GEAR SHIFT LEVER MOD. VR7 - VIR7	
41	11250	BELLEVILLE WASHER EXT.D. 28 INT.D.1	
42	99211105Z	LEVER FOR GEARBOX RELEASE VR7 -VIR7	
43	99211095Z	LEVER	
44	99211115Z	TIRANTE X MOLLA DI TIRAGGIO FRENOAUT. RID. 854-855	
45	99000006Z	SPRING D.38- 175 FOR SPEED REGULATOR	
46	99211125Z	BRAKE BAND 854 x VR7 - VIR7	
47	99211094Z	GEAR POSITION PLATE 350	
48	99211130Z	PIATTO 15X5 L=185 2F D.7X RID. 854 X VR7 - VIR7	
49	99211120Z	ASTA D.21 L=300 + 2 DADI M12X DISINNESTO VR7 - VIR	

Pos.	Code	Description	Note
50	99012354	TIE ROD M12x90 Sm.	
51	15907	PIN D.6 X 40	
52	50017854.7011	GEARBOX 854 + TURBINE T17	
53	D854251	BAND BRAKE UNIT	
54	11603	RING SEEGER TIPO E 25 DIN 471	
55	GI1071	SPRING FOR BRAKE X GI5-10 8375.200.000	
56	11619	O-RING E 16 DIN 471	
57	11216	WASHER M16 UNI6592 FE ZINC-PLATED M	

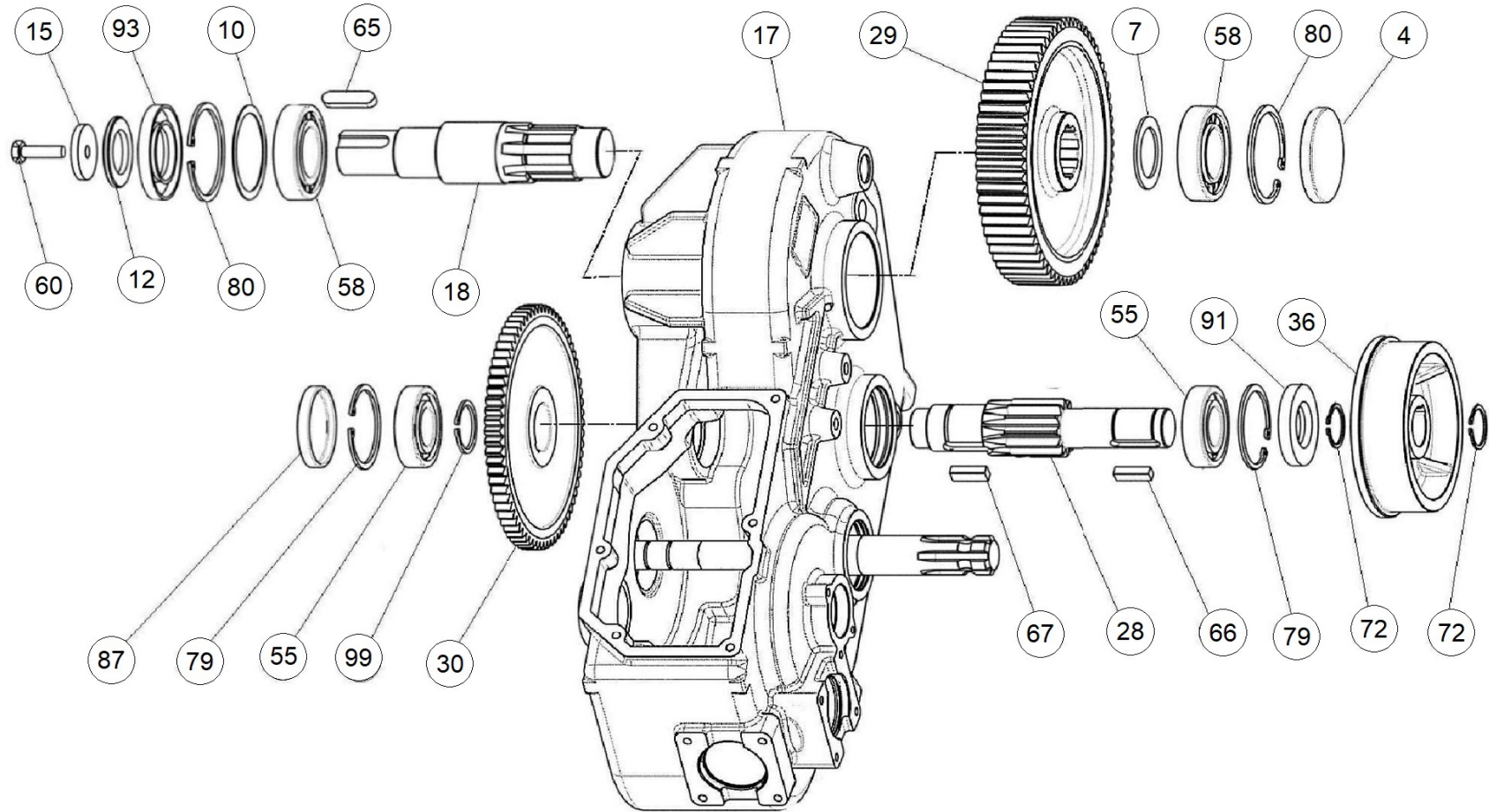




Pos.	Code	Description
1	D85401	THICKNESS REG.25,6X35,3
2	D85402	WIDTH 20,3 X32,0
3	D74287	SHIM 32,0X20,3X1,0 FIG.87 0104751000
8	D85408	THICKNESS REG 42,2X51,8
11	D74281	SPRING 742/744FIG.2 0.721.7101.00
13	D74279	NUT M20 X 1,5
14	D85414	THICKNESS REG 25,2X34,8X2
20	D85420	SHAFT Z18 M2,6 FIG.20 0854500000
21	D85421	CONIC PINION Z18 M2,6 0854500100
22	D85422M	INLET SHAFT PIGN.CYLYND.Z12 M1,75 0854501100
23	D85423	GEAR Z23
24	D85424	GEAR Z32
25	D85425	INGRAN. CILINDRICO Z49 M1,75 0854500500
28	D85487	SPACER 18.1X26X25.1
38	D85438	SPACER 44,0X51,8X6,0
39	D85439	SPACER 18,2X23,8X1
40	D85440	SPACER
43	D85443	THICKNESS REG 47,0X51,8

Pos.	Code	Description
45	D85445	COPERCHIO CAMBIO 4 VELOCITA'2854130400
47	D85447	GEAR CONTROL LEVER 2854700600
48	D85448	CLUTCH LEVER 2854700700
52	B9046	BEARING 6205 X B90 FIG.17
53	D74224	ROLLER BEARING 6304 FOR GEARBOX
57	D85457	BEARING
59	40034	BEARING 30205 FOR SPRAY BOOM PART
61	D85461	VITE TE M8X18 UNI5739 8.8 Z.81101676
62	11406	GRUB SCREW 6X10 592
64	D85464	ROSETTA X PERNI LAV.8,2UNI1750 83101489
68	11538	5X5X10 UNI 6604/B KEY
73	11613	SEEGER RING TYPE E D.18
75	D85475	RING E25 H=2 UNI7436
78	11605	SEEGER RING I 52 DIN 472
82	D85482	ELASTIC RING
83	GI1068	SPHERE 5/16"X GI5-GI10-GI20-742-744 8525.200.000
84	13110	PLUG 1/2" WIHT OIL LEVEL
85	04215	CUP 1/2" GALVANIZED

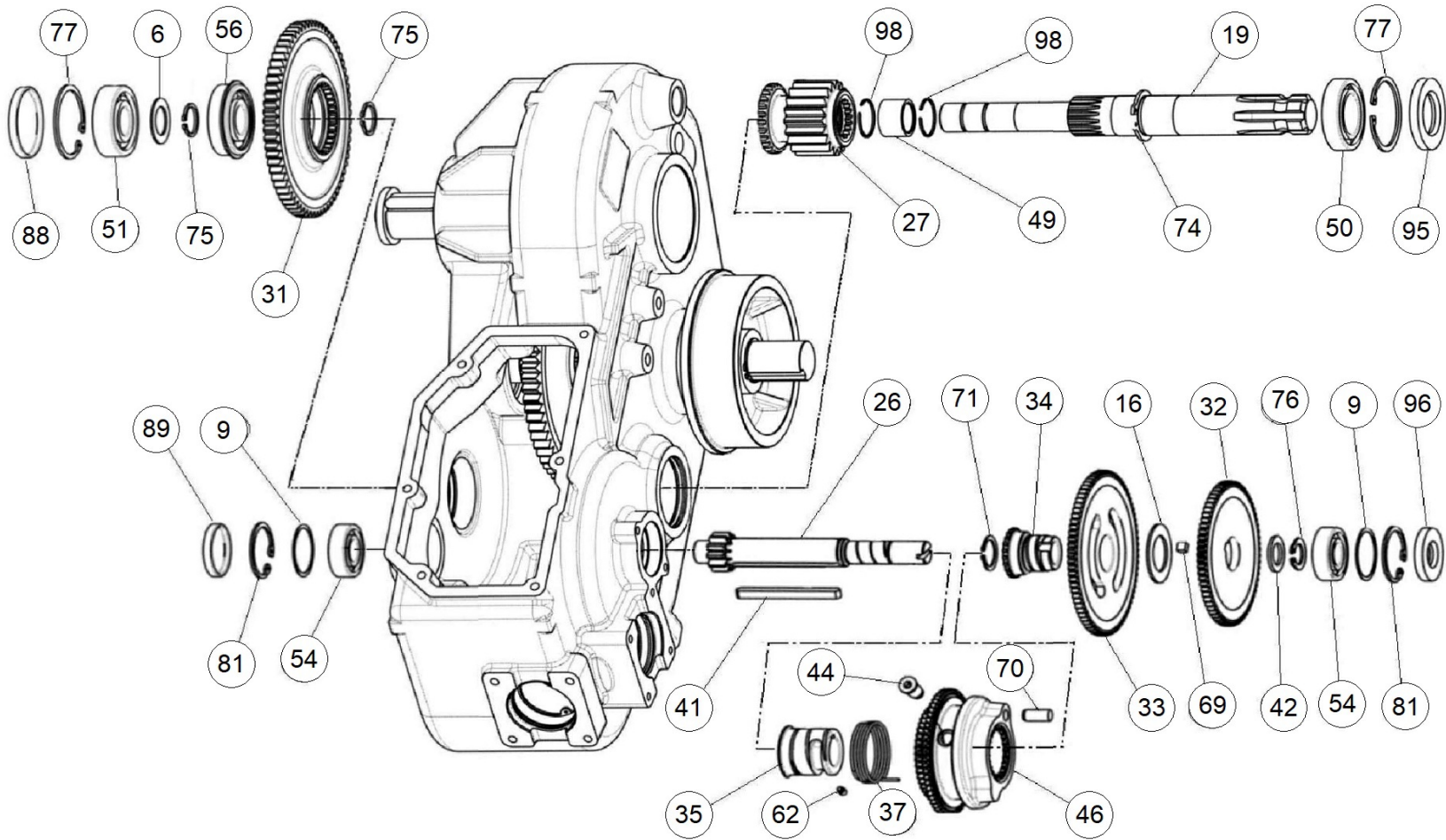
Pos.	Code	Description
86	13116	GEARBOX OIL PLUG
90	D85490	PLUG 32X7
92	CAR3P12	OIL GASKET 25-52-7 FIG.7 8050.218.0008050.218.000
94	D85494	D85494 FIG. 94 87300749
97	D85497	OR SEAL 3062
100	D854100	VITE TE M8X10 UNI5740 8GDCR 9540239032
251	D854251	BAND BRAKE UNIT



Pos.	Code	Description
4	13290	CAP FOR GEARBOX 742/744
7	D85407	SPESSORE REG.65,3X45,3X2,50252752500
10	D74286	SHIM 70,3X84,7 FIG.86 0709750000
12	D85412	DITANZIALE 40,5X63,5X50732712500
15	D85415	RONDELLA TRANCIATA 11X50X60750025000
17	D85417	GEARBOX 854
18	D85418	OUTLET SHAFT D.40 H7 0854200000
28	D85428	ALBERO PIGNONE Z12 M3,5 0854500800
29	D85429	CORONA CILINDRICA Z67 M3,5 0854600000
30	D85430	CORONA CILINDRICA Z70 M3 0854600100
36	D85436	TAMBURO FRENO 0854700400
55	GI2030	BEARING REF. 6207 35X72X17
58	IB245	BEARING NJ209 ALB.USC.IB2 V.85
60	10192	SCREW TE M10X35 UNI 5739 8.8 GALVANIZED
65	GI2062	KEY 12X8X45 UNI 6604/A
66	D85466	LINGUETTA TEMPR.B 10X8X3084100993
67	D85467	LINGUETTA TEMPR.B 12X8X3084101141
72	11635	SEEGER RING E 35 DIN 471

010

Pos.	Code	Description
79	IB427	SEEGER RING TYPE 172 UNI 7437
80	11743	SEEGER RING TYPE I 85 DIN 472
87	IB255	OIL TIGHT CAP 72X10
91	IB431	OIL GASKET 35-72- 10 9020270000
93	11928	OIL SEAL 45-85- 10
99	D85499	ANELLO ELAS.E42 H=2,5UNI7436 9010281000





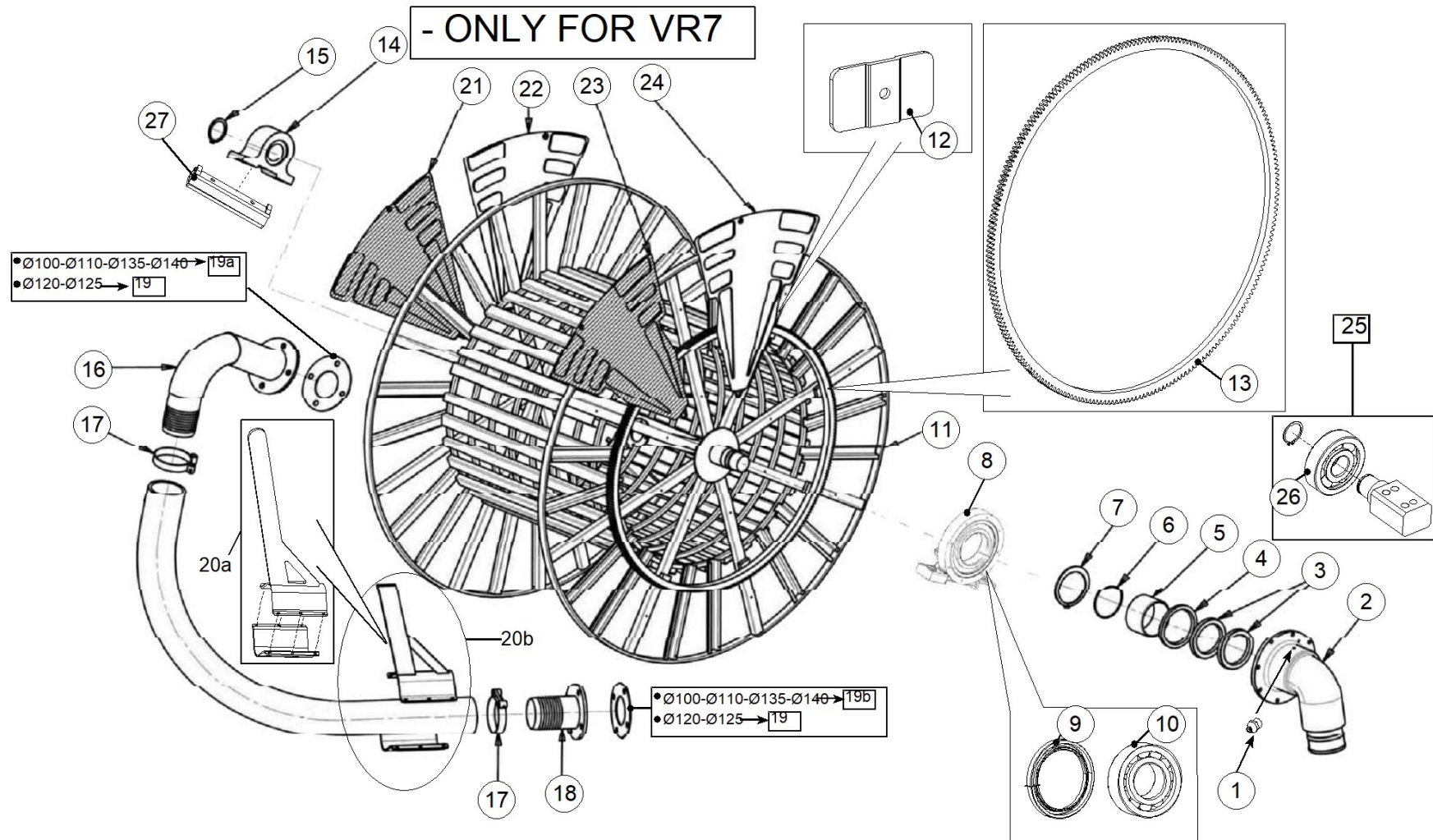
Pos.	Code	Description
6	D85406	SPESSORE REG.25,5X40,0X1,50159751500
9	D74218	SHIM 40,3 X 46,7 FIG.18
16	D85416	SHIM REG.52,0X32,3X2,0 078000
19	D85419	ALBERO P.T.O. 1"3/8 Z6 0854300200
26	D85426	PINION-SHAFT Z11 M2,5 FIG 26
27	D85427	FIG.27 0854500700
31	D85431/1	CYLIND. CROWN Z67 M2,5
32	D85432	CYLINDRIC CROWN Z71 M1,75 FIG.32
33	D85433	CYLINDRIC CROWN Z82 M1,75 FIG.33
34	D85434	BUSH 0854700000
35	D85435	BOCCOLA CAMBIO SCORREVOLE 0854700100
37	D85437	SPRING
41	D85441	TANG
42	D85442	SHIM 0854710500
44	D85444	GRANO SINCRONIZZATORE0856700400
46	D85446	GEAR Z=45/62 0.854.6011.00
49	D85449	FIG.49 80002669
50	IB244	BEARING 6007 35X62X14

Pos.	Code	Description
51	40003	BEARING 6305 T3
54	GI2026	BEARING 6204 20X47X14 8200168000
56	D85456	CUSCINETTO CLA 6305 NR 8.0.1.02419
62	11406	GRUB SCREW 6X10 592
69	D85469	LINGUETTA NON UNIF.B 8X6X784102876
70	D85470	SPIN. CIL. A10X24U6364 (8.4.6.00468)
71	11603	RING SEEGER TIPO E 25 DIN 471
74	D85474	RUBBER RING E35 H=2,5 UNI7436 85100583
75	D85475	RING E25 H=2 UNI7436
76	D85476	FLEXIBLE RING E20 H=1
77	11762	SEEGER RING TYPE I 62 DIN 472
81	D85481	FLEXIBLE RING I47 H=2
88	D74262	SEALING CAP D.62X10 FOR P.T.O
89	IB430	CAP 47X7
95	B11020	OIL GASKET
96	GI1035	OIL GASKET FOR INLET SHAFT 8050150000
98	D85498	ANELLO PER FORO BR32 9010201002



Pos.	Code	Description	Note
1	99100060	BUSH FOR GROOVED BAR D.60 R4/1-IR4	
2	11740	SEEGER RING TYPE I 40 DIN 472	
3	99100015	PAWL FOR GROOVED BAR D.60 MOD.R4/1R5 IR2 IR3 IR4	
4	45004	SCROLL SHAFT ROLLER	
5	11422	SCREW M8X25 UNI 5927	
6	12001	GREASER 10X1,5 MA	
7	99214240Z	BUSHING FOR GROVED BAR Di 30 De 45	
8	41805	UCP BEARING 206 D.30	
9	11502	KEY 8X7X40 UNI 6604/A	
10	99485338	GROOVED BAR D.60 L=2110 P=65	
11	45710100Z	GALVANIZED HOSE CRADLE VIR5M-VR7-VIR7-VIR7M	
12	11506	KEY 8X7X30 UNI 6604/A	
13	41479	PIGNON 5/8" Z=20 1F.D30 1F.M8 CH.8	z=20
13	41483	PIGNON 5/8" Z=23 1F.D30 1F.M8 CH.8	z=23
13	41539	PINION 5/8" Z=18 1F.D30 CH.8 1F.M8	z=18
13	41540	PINION 5/8" Z=21	z=21
13	41550	PINION 5/8" Z=15 1F.D30 1F.M8 CH.8	z=15
13	41556	PINION 5/8" Z=14 1F.D30 1F.M8 CH.8	z=14

Pos.	Code	Description	Note
14	40502	CONNECTION LINK 5/8"	
15	15485216Z	GALVANIZED HOSE D48X1890	
16	45470110Z	GALVANIZED PIN D18X228 HOSEGUIDE TROLLEY MOD.R4/2	
17	41721	PINION 5/8" Z=17	
18	40402	SIMPLE CHAIN 5/8"	
19	40701	5/8"CHAIN LINK	
20	41493	PIGNON 5/8" Z=45 1F.D40 CH.8 1F.M8	z=45
20	41507	PINION 5/8" Z=33 1F.D40 1F.M8	z=33
20	41547	PIGNONE 5/8" Z=30 1F.D40 1F.M8 CH.8	z=30
20	41553	PINION 5/8" Z=34 1F.D40 1F.M8 CH.8	z=34
20	41573	PIGNONE 5/8" Z=38 1F.D40 CH8. 1F.M8	z=38
20	41574	PINION 5/8" Z=31	z=31
21	11613	SEEGER RING TYPE E D.18	
22	45000002	ROLLER D48/15 15.5.0.7	
23	45000005	ROLLER D.48/15 15.5.0 L=670 GALVANIZED	



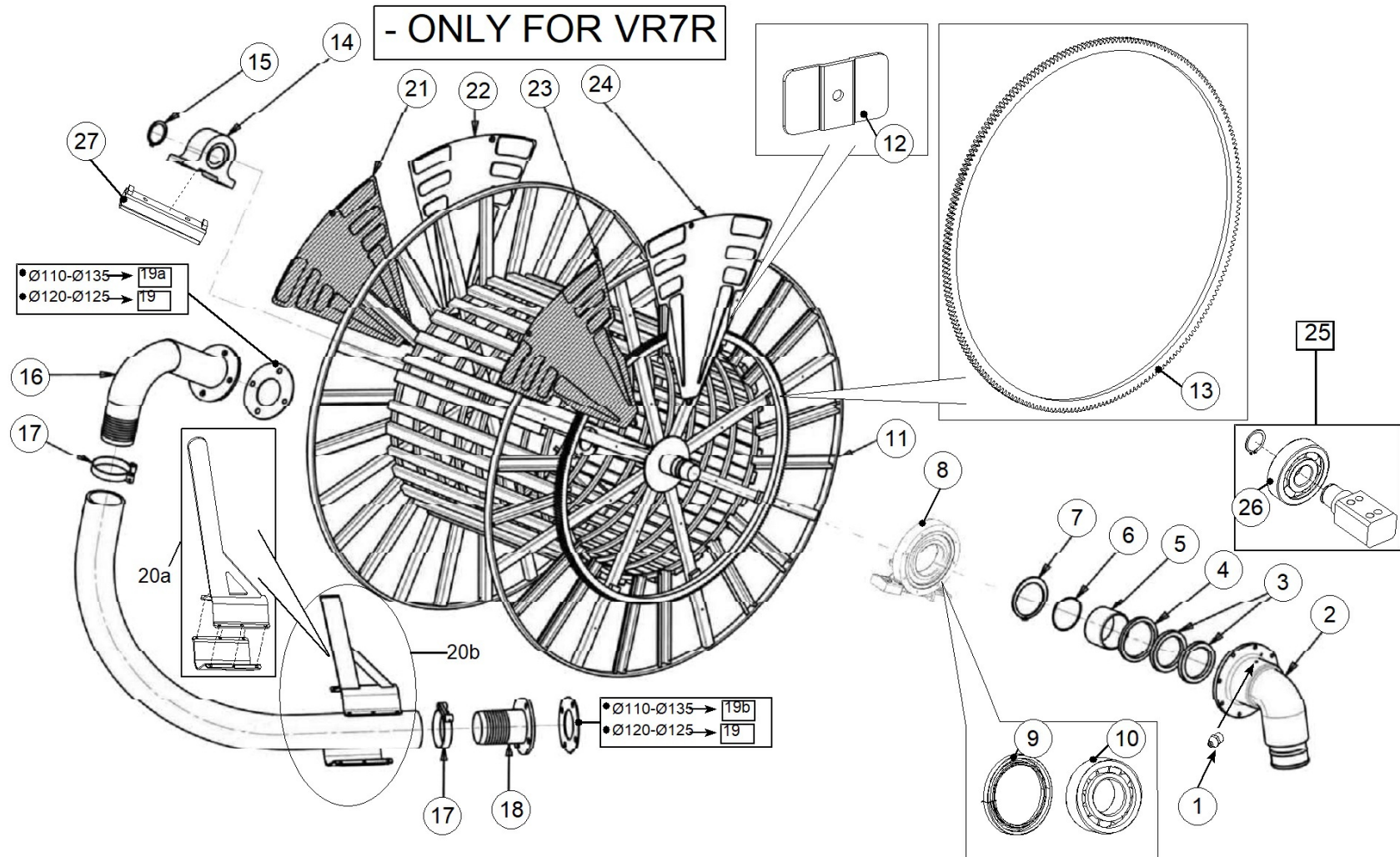
Pos.	Code	Description	Note
1	12001	GREASER 10X1,5 MA	
2	50460170	TURNING UNIT T17 IN ALUMINIUM FOR VR VIR 7	
3	31003	LIP SEAL DII 500	
4	11907	OIL SEAL 160-130-12 125/140	
5	20506121	HARDENED BUSH EXT.D.127 INT.D.117	
6	30054	OR SEAL 247 FOR SHAFT R5 IR3	
7	11607	SEEGER RING TYPE E 130 DIN 471	
8	19506100	DRUM SUPPORT 125/140	
9	11908	OIL SEAL 160-135-12	
10	40007	BEARING 6226 FOR SUPPORT 125/140	
11	20485100A.5015	PAINTED REEL FOR VR7-VIR7 100-110 BLUE RAL 5015	(Ø100-Ø110)
11	20486100A.5015	DRUM 120-125 VR7-VIR7 PAINTED	(Ø120-Ø125)
11	20496100A.5015	BOBINA RAGGIATA X VR VIR 7 135-140VERNICIATA MONTA	(Ø135-Ø140)
12	88253002Z	GALVANIZED PLATE L070 WITH HOLE D.7	
13	00507	RACK DE 2009 M=7 Z=285 60X50	
14	41814	UCP SUPPORT 214 D.75	
15	11624	SEEGER RING E 70 DIN 471	
16	21485100Z	ATTACCO TUBO BOBINA C/IMBOCCOMOD.100 RV7-IRV7 ZINC	Ø100

Pos.	Code	Description	Note
16	21485110Z	GALVANIZED INLET HOSE-REEL MOD. 110 G/F8-GI/F8	Ø110
16	21485120Z	ELBOW ATTACHES PE HOSE / DRUM	Ø120 (L > 500)
16	21485125Z	GALVANIZED INLET HOSE-REEL MOD.125 G/F8-GI/F8	Ø125 (L < 500)
16	21485126Z	PART BETWEEN HOSE AND REEL MOD. 120 G/F8 - GI/F8	Ø125 (L <sup>3</sup> 500)
16	21485126Z	PART BETWEEN HOSE AND REEL MOD. 120 G/F8 - GI/F8	Ø120 (L £ 500)
16	21485135Z	ATTACCO TUBO BOBINA C/IMBOCCOMOD.135 RV7-IRV7 ZINC	Ø135
16	21485140Z	ATTACCO TUBO BOBINA C/IMBOCCOMOD.140 RV7-IRV7	Ø140
17	12403	MIKALOR CLAMP 113-121	Ø120
17	12407	MIKALOR CLAMP 104-112	Ø110
17	12411	MIKALOR CLAMP 140-148	Ø140
17	12415	MIKALOR CLAMP 95-105	Ø100
17	12416	MIKALOR CLAMP 122-130	Ø125
17	12481	FASCETTA MIKALOR 131-141 C/VITEVITE 10X115	Ø135
18	55213100Z	IMBOCCO TUBO CARRELLO 100 VR7ZINCATO	Ø100
18	55215111Z	GALVANIZED INLET HOSE-TROLLEY MOD.110	Ø110
18	55506100Z	ADAPTER FOR TROLLEY PIPE 140	Ø140
18	55506251Z	IMBOCCO TUBO CARRELLO TIPO 135-140ZINCATO T135	Ø135
18	55507126Z	TROLLEY HOSE ENTRY D.125	Ø125 (L < 500)



Pos.	Code	Description	Note
18	55509100Z	MOUTH PIECE FOR TORLLEY 120-125 IR4	Ø125 (L <sup>3</sup> 500)
18	55509100Z	MOUTH PIECE FOR TORLLEY 120-125 IR4	Ø120 (L £ 500)
18	55509120Z	IMBOCCO TUBO CARRELLO X 120-125 T120	Ø120 (L > 500)
19b	99000008	RUBBER GASKET EXT.D.185-85 4 HOLES	Ø100
19b	99000008	RUBBER GASKET EXT.D.185-85 4 HOLES	Ø110
19a	99000210	RUBBER GASKET 220-105 8H. D18	Ø135
19a	99000210	RUBBER GASKET 220-105 8H. D18	Ø140
19	99000508	RUBBER GASKETS EXT.D.200-95 4 HOLES	Ø125
19	99000508	RUBBER GASKETS EXT.D.200-95 4 HOLES	Ø120
19a	99000508	RUBBER GASKETS EXT.D.200-95 4 HOLES	Ø100
19b	99000508	RUBBER GASKETS EXT.D.200-95 4 HOLES	Ø135
19b	99000508	RUBBER GASKETS EXT.D.200-95 4 HOLES	Ø140
19a	99000508	RUBBER GASKETS EXT.D.200-95 4 HOLES	Ø110
20a	99025900	STOPPING HOSE 100 VR VIR 5-6-7	Ø100
20a	99025930	STOPPING HOSE 125 VR VIR 5-6-7	Ø110
20a	99025930	STOPPING HOSE 125 VR VIR 5-6-7	Ø120
20a	99025930	STOPPING HOSE 125 VR VIR 5-6-7	Ø125
20a	99025960	STOPPING HOSE 125#150 VR VIR 5-6-7	Ø140

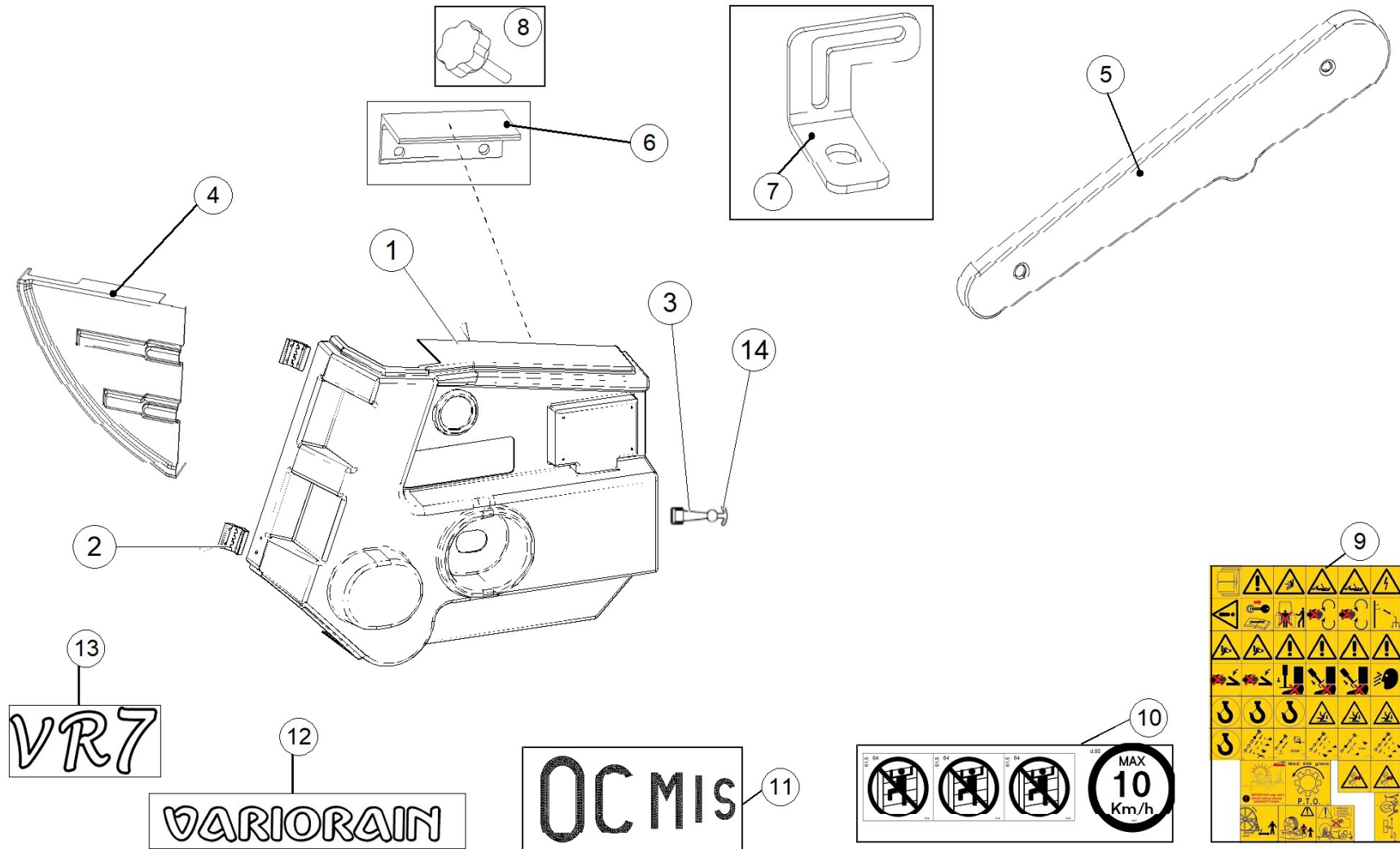
Pos.	Code	Description	Note
20a	99025960	STOPPING HOSE 125#150 VR VIR 5-6-7	Ø135
20b	99026800	STOPPING HOSE 82#100 L=400 x SL3-SL4	xSL3 Ø100
20b	99026830	STOPPING HOSE 110#125 L=400 x SL2-SL3	xSL2 Ø125
20b	99026830	STOPPING HOSE 110#125 L=400 x SL2-SL3	xSL2 Ø120
20b	99026830	STOPPING HOSE 110#125 L=400 x SL2-SL3	xSL3 Ø110
20b	99026860	STOPPING HOSE 135#150 L=400 x SL2	xSL2 Ø140
20b	99026860	STOPPING HOSE 135#150 L=400 x SL2	xSL2 Ø135
21	88253024/9	STEEL BLUE PANEL FOR R4/2A-IR2/2A	
22	88253024/8	STEEL WHITE PANEL FOR R4/2A-IR2/2A	
23	88253026S/9	METAL SAFETY PROTECTION VR7 VIR7 BLU COLOUR	
24	88253026S/8	METAL SAFETY PROTECTION VR7 VIR7 WHITE	
25	20524224S	GR. RINFORZO LAT.CREM. X VR7-7R-7/1 C/CUSCINETTO	
26	40125	CUSCINETTO 6406-2RS1 X RINF.CREM.90X30XSP23	
27	15710320Z	SUPPORTO BASSO UCP BOB. VR-VIR 7-8SALDATO (FARE MA	



Pos.	Code	Description	Note
1	12001	GREASER 10X1,5 MA	
2	50460170	TURNING UNIT T17 IN ALUMINIUM FOR VR VIR 7	
3	31003	LIP SEAL DII 500	
4	11907	OIL SEAL 160-130-12 125/140	
5	20506121	HARDENED BUSH EXT.D.127 INT.D.117	
6	30054	OR SEAL 247 FOR SHAFT R5 IR3	
7	11607	SEEGER RING TYPE E 130 DIN 471	
8	19506100	DRUM SUPPORT 125/140	
9	11908	OIL SEAL 160-135-12	
10	40007	BEARING 6226 FOR SUPPORT 125/140	
11	20486160A.5015	BOBINA RAGGIATA X 110-125 VR7R SPECIALE D.I 1540	(Ø110)
11	20486165A.5015	BOB.RAGG.X 125 VR7R D.I 1540 16RAGGI VERN.MONT. 50	(Ø125)
11	20486166A.5015	BOB.RAGG.X 135 VR7R D.I 1660 16RAGGI VERN.MONT. 50	(xVIR8AM)
11	20486170A.5015	BOBINA RAGGIATA X 120 VR7R SPECIALE D.I 1660 16	(Ø120)
12	88253002Z	GALVANIZED PLATE L070 WITH HOLE D.7	
13	00507	RACK DE 2009 M=7 Z=285 60X50	
14	41814	UCP SUPPORT 214 D.75	
15	11624	SEEGER RING E 70 DIN 471	

Pos.	Code	Description	Note
16	21485128Z	ATTACCO TUBO BOBINA C/IMBOC.RV7R T125/11,4#13	Ø125
16	21485138Z	ATTACCO TUBO BOB.C/IMBOCCO 135 RV7R T135/10,5#12	Ø135
16	21486110Z	ATTACCO TUBO BOB. C/IMBOC.110RV7R T110/10#11 ZINC	Ø110
16	21486120Z	ATTACCO TUBO BOB.C/IMBOC.120RV7R T120/11.4#12 ZINC	Ø120
17	12403	MIKALOR CLAMP 113-121	Ø120
17	12407	MIKALOR CLAMP 104-112	Ø110
17	12416	MIKALOR CLAMP 122-130	Ø125
17	12481	FASCETTA MIKALOR 131-141 C/VITEVITE 10X115	Ø135
18	55215111Z	GALVANIZED INLET HOSE-TROLLEY MOD.110	Ø110
18	55506251Z	IMBOCCO TUBO CARRELLO TIPO 135-140ZINCATO T135	Ø135
18	55509100Z	MOUTH PIECE FOR TORLLEY 120-125 IR4	Ø125
18	55509120Z	IMBOCCO TUBO CARRELLO X 120-125 T120	Ø120
19b	99000008	RUBBER GASKET EXT.D.185-85 4 HOLES	Ø110
19a	99000210	RUBBER GASKET 220-105 8H. D18	Ø135
19	99000508	RUBBER GASKETS EXT.D.200-95 4 HOLES	Ø125
19	99000508	RUBBER GASKETS EXT.D.200-95 4 HOLES	Ø120
19a	99000508	RUBBER GASKETS EXT.D.200-95 4 HOLES	Ø110
19b	99000508	RUBBER GASKETS EXT.D.200-95 4 HOLES	Ø135

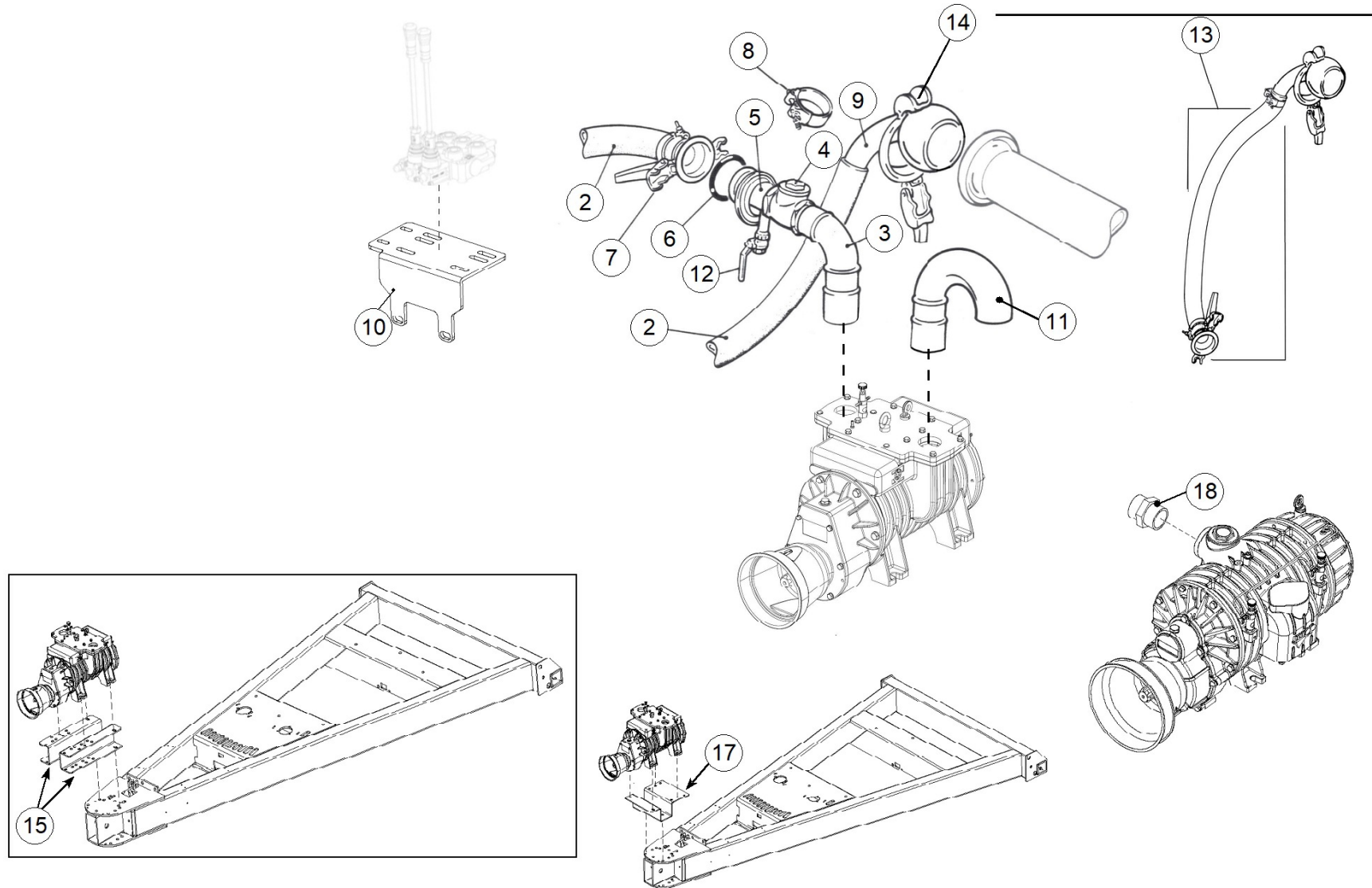
Pos.	Code	Description	Note
20a	99025930	STOPPING HOSE 125 VR VIR 5-6-7	Ø125
20a	99025930	STOPPING HOSE 125 VR VIR 5-6-7	Ø110
20a	99025930	STOPPING HOSE 125 VR VIR 5-6-7	Ø120
20a	99025960	STOPPING HOSE 125#150 VR VIR 5-6-7	Ø135
20b	99026830	STOPPING HOSE 110#125 L=400 x SL2-SL3	xSL3 Ø110
20b	99026830	STOPPING HOSE 110#125 L=400 x SL2-SL3	xSL2 Ø125
20b	99026830	STOPPING HOSE 110#125 L=400 x SL2-SL3	xSL2 Ø120
20b	99026860	STOPPING HOSE 135#150 L=400 x SL2	xSL2 Ø135
21	88253130/9	PROT.LAM.S/SPAC.X VR7R R.1525 SP.0,7 BLU RAL5015	
22	88253130/8	PROT.LAM.S/SPAC.X VR7R R.1525 SP.0,7 BIAN.RAL9003	
23	88253130S/9	PROT.LAM.C/SPAC.X VR7R R.1525 SP.0,7 BLU RAL5015	
24	88253130S/8	PROT.LAM.C/SPAC.X VR7R R.1525 SP.0,7 BIAN.RAL9003	
25	20524224S	GR. RINFORZO LAT.CREM. X VR7-7R-7/1 C/CUSCINETTO	
26	40125	CUSCINETTO 6406-2RS1 X RINF.CREM.90X30XSP23	
27	15710320Z	SUPPORTO BASSO UCP BOB. VR-VIR 7-8SALDATO (FARE MA	



Pos.	Code	Description
1	88710737/7	CARTER T17 FOR VR7 - VIR7 ABS BLU
2	13069	4 HINGE 64X65 4F D.6,3 INT.40x40 BLACK
3	13063/1	ATTACCO TIRANTE
4	70212126/7	RACK BLUE COVER R4/1
5	88710722/7	CHAIN COVER FOR VR7
6	15484267Z	PROFILO A "L" 60X40X5 L=100 2F D.9FIS. CARTER TURB
7	15538033Z	LAMIERA SAGOMATA 85X70X95 SP.5FISS. CARTER CATENA
8	00861	VARIATOR KNOB D.6
9	60400/3	STICKERS FOR MACHINES MOD. VR-VIR
10	60348	WARMING STICKERS
11	60713	STICKER WITH OCMIS LOGO 945x320 x R4/2A#IR4
12	60715	STICKERS FOR VARIO RAIN SILVER
13	60716	STICKERS FOR GEAR BOX GUARD VR7
14	13063	RUBBER BAND FOR VR7 PLASTIC COVER L=120mm



**VIR10A**



VIR10A

Pos.	Code	Description	Note
2	99021309	CONNECTION PIPE GOMMAFLEX 60 MT.1,8	
3	99030150Z	DELIVERY ELBOW, 2", GALV.	
4	03512	'CLAPET' VALVE HEAVY TYPE 2"	
5	99020350Z	THREADED COUPLING 60 FERRARI MALE	
6	31606	FERRARI SEAL D.60	
7	99022401Z	FERRARI COUPLING D.60 F. FLEXIBLE PIPE 60	
8	12413	MIKALOR CLAMP 68-73	
9	80506155Z	COMPRESSOR CAP 108 BAUER M.	(Ø100...Ø125)
9	80506156Z	TAPPO COMPRES.133 BAUER M.C/CURVA LR 90'-IMBOC.D60	(Ø135-Ø140)
10	80006010Z	BRACKET DISTRIBUTOR VALVE 2-3	
11	99029100Z	SUCTION DOUBLE ELBOW 2"	
12	14606	BALL PLUG 1/2"	
13	99021311	CONNECTION D60 1,8MT X COMPR.8000LT VR7 W/CUP M.13	(Ø135-Ø140)
13	99022851	CONNECTION PIPE D.60 MT.2	(Ø100...Ø125)
14	20717ZC	HOT GALVANIZED HANDLE X 108	(Ø100...Ø125)
14	20737ZC	HANDLE D.133 BAUER	(Ø135-Ø140)
15	81660163Z	PLATE "C" 40X50X80 L=470	
17	81660285Z	PLATE 390X300X120 SUPPORT COMPRESSOR BATTIONI E FE	

**VIR10A**

Pos.	Code	Description	Note
18	12843	NIPPLE 2"M - 2"M WATER TYPE	

### **I - AVVERTENZE**

L'azienda si riserva il diritto di apportare tutte le modifiche e variazioni che si rendessero necessarie per il continuo perfezionamento dei suoi prodotti , senza necessità di preavviso.

### **GB - REMARKS**

The company reserves the right to make all changes and variations that may be necessary for the continuous improvement of its products, without any need for notice.

### **F - AVERTISSEMENTS**

La société se réserve le droit d'apporter toutes les modifications et variations qui pourraient être nécessaires pour l'amélioration continue de ses produits, sans préavis.

### **D - WARTUNG**

Das Unternehmen behält sich das Recht vor, alle Änderungen und Abweichungen vorzunehmen, die erforderlich sein können für die kontinuierliche Verbesserung seiner Produkte, ohne dass eine Ankündigung erforderlich ist.

### **E - ADVERTENCIAS**

La empresa se reserva el derecho de realizar todos los cambios y variaciones que puedan ser necesarios para la mejora continua de sus productos, sin necesidad de previo aviso.



<https://www.ocmis-irrigazione.it/>  
E-mail: [service@ocmis-irrigation.com](mailto:service@ocmis-irrigation.com)  
Via S.Eusebio, 7 - 41014 Castelvetro ( MO ) - Italy  
Tel. +39 059 701 701