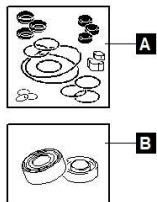
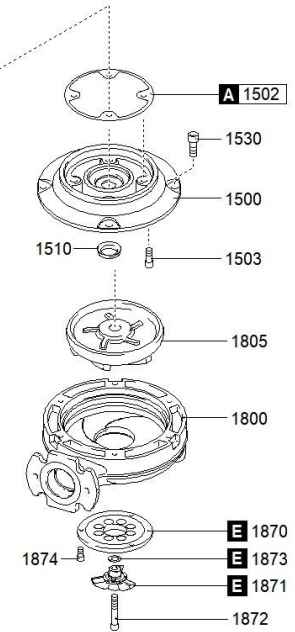
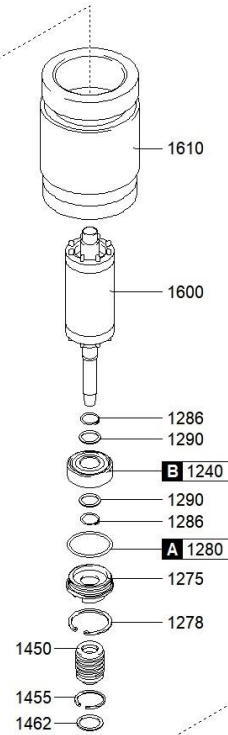
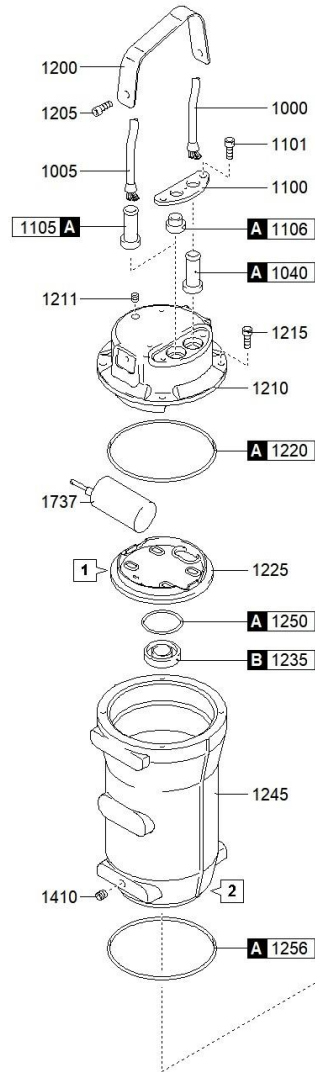
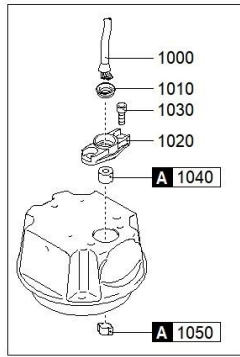


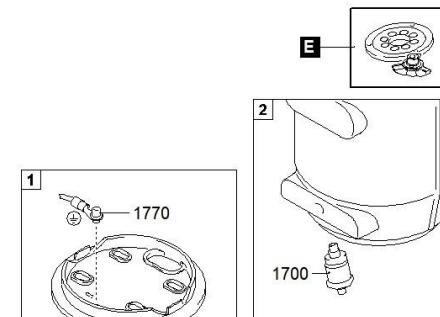


better together

## 1750.001 - GRG 250/2/G40H A0AT5 NGNAB51040N00NN



G05  
GR G40H 01A





better together



1750.001 - GRG 250/2/G40H A0AT5 NGNAB51040N00NN

Scanregn varenummer	Description	Antal
A 51413250A	GASKETS KIT	1
E 51413250E	CUTTING SYSTEM KIT	1
B	BEARINGS KIT	1
1000	CAVO POTENZA	1
1020	CABLE GLAND [POWER CABLE]	1
1030	SCREW - CABLE GLAND [POWER CABLE]	4
1040	RUBBER GASKET [POWER CABLE]	1
1100	CABLE GLAND PLATE	1
1101	SCREW [CABLE GLAND PLATE >> COVER]	4
1106	CAP [FLOAT SWITCH]	1
1200	HANDLE	1
1205	SCREW [HANDLE >> COVER]	4
1210	COVER	1
1211	CAP [TIGHTNESS TEST]	1
1215	SCREW [COVER >> MOTOR CASE]	4
1220	GASKET [COVER >> UPPER BEARING HOLDER]	1
1225	UPPER BEARING HOLDER	1
1235 518062032C	UPPER BEARING	1
1240 518063052z	LOWER BEARING	1
1245	MOTOR CASE	1
1250	GASKET [UPPER BEARING]	1
1256	GASKET [MOTOR CASE >> PUMP PLATE]	1
1275	LOWER BEARING FLANGE	1
1278	SEEGER [LOWER BEARING FLANGE]	1
1280	GASKET [LOWER BEARING FLANGE]	1
1286	SEEGER [LOWER BEARING >> LOWER BEARING FLANGE]	1
1290	DISTANCE RING [LOWER BEARING]	1
1410	CAP [OIL CHAMBER]	1
1450 514132501451	MECHANICAL SEAL	1
1455	SEEGER [1st MECHANICAL SEAL >> 2nd MECHANICAL SEAL]	1
1462	RING [MECHANICAL SEAL]	1
1500	PUMP PLATE	1
1502	GASKET [PUMP PLATE]	1
1503	SCREW [PUMP PLATE >> MOTOR CASE]	4
1510	V-RING [PUMP PLATE]	1
1520	GASKET [PUMP PLATE >> PUMP BODY]	2
1530	SCREW [PUMP PLATE >> PUMP BODY]	3
1600	SHAFT WITH ROTOR	1

1610	514132501610	WOUND STATOR	1
1800		PUMP BODY	1
1805	514132501805	IMPELLER	1
1870		CUTTING DISK	1
1871		CHOPPER KNIFE	1
1872		LOCKING CHOPPER KNIFE	1
1873		WASHER [CHOPPER KNIFE ]	4
1874	5140341174	SCREW [CUTTING DISK >> PUMP BODY]	3