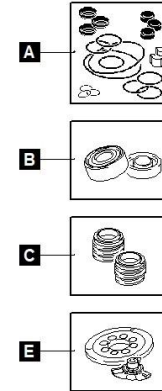
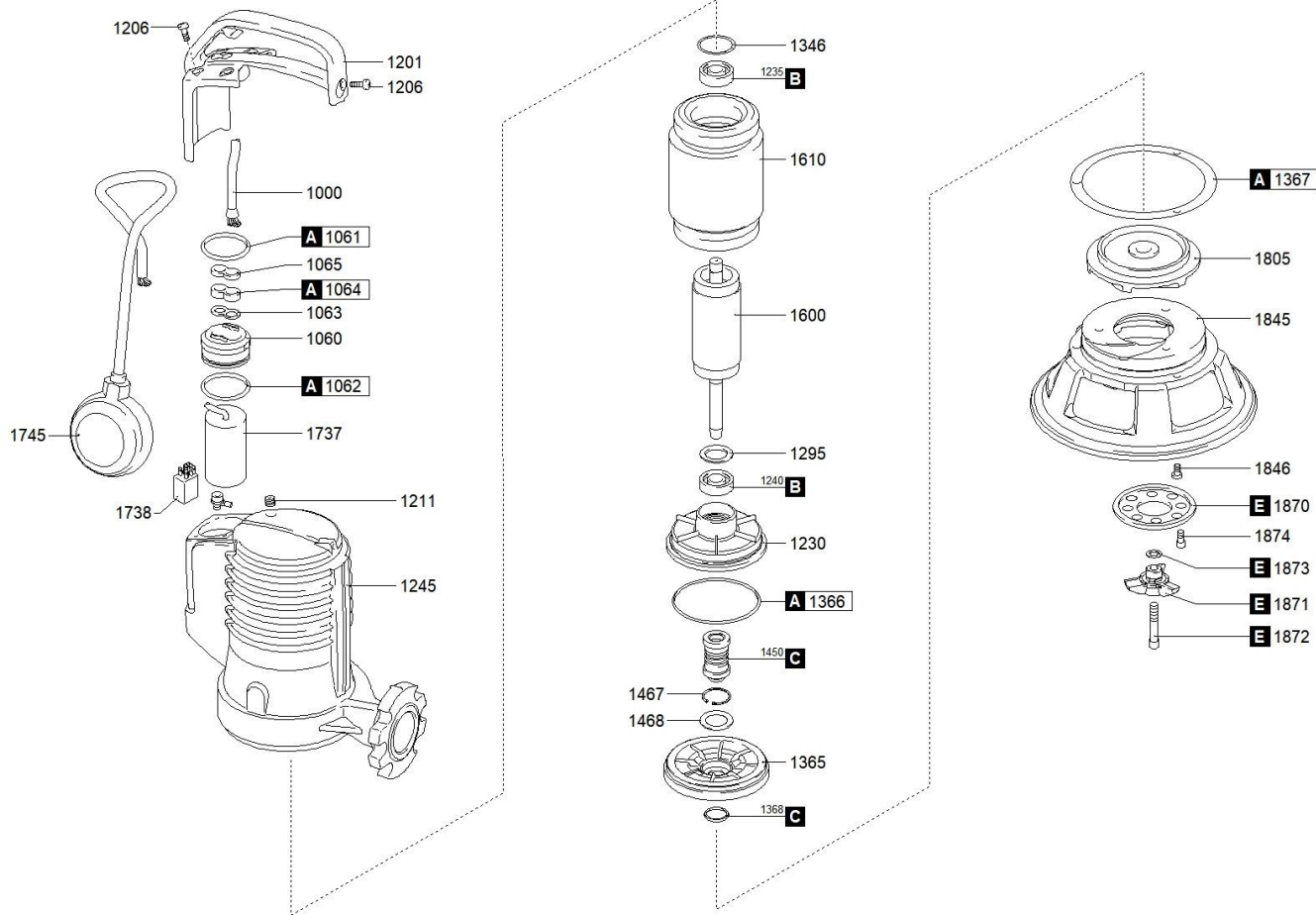




better together

1117.002 - GRBLUEP 100/2/G40H A1CT5 NGRGB51040N00NN





better together

1117.002 - GRBLUEP 100/2/G40H A1CT5 NGRGB51040N00NN



	Scanregn Varenummer	Description	Antal
A	5140121000A	GASKETS KIT	1
C		MECHANICAL SEALS KIT	1
E	5140121116+17	CUTTING SYSTEM KIT	1
B		BEARINGS KIT	1
1000	5140113900	CAVO POTENZA	1
1060		HOLDER [CABLE GLAND]	1
1061	5140125530	UPPER GASKET - HOLDER [CABLE GLAND]	1
1062	5140125543	LOWER GASKET - HOLDER [CABLE GLAND]	1
1063	5140121255	CABLE STOP	2
1064	5140121258	RUBBER GASKET	1
1065	5140121254	CABLE GLAND	1
1201		CABLE GLAND HANDLE	1
1206		SCREW [CABLE GLAND HANDLE >> COVER]	5
1211		CAP [TIGHTNESS TEST]	1
1230	5140121205	LOWER BEARING HOLDER	1
1235	518062032Z	UPPER BEARING	1
1240	518063032ZC3	LOWER BEARING	1
1245	5140121215	MOTOR CASE	1
1295		UPPER DISTANCE RING [LOWER BEARING]	1
1346	5140125556	WAVE SPRING	1
1365	5140121386	MECHANICAL SEAL FLANGE	1
1366	5140125517	GASKET [LOWER BEARING HOLDER >> MECHANICAL SEAL FLANGE]	1
1367	5140121452	GASKET [MECHANICAL SEAL FLANGE >> BASE]	5
1368		V-RING [MECHANICAL SEAL FLANGE]	1
1450	5140122134	MECHANICAL SEAL	1
1600	5140121202	SHAFT WITH ROTOR	1
1610	5140123400	WOUND STATOR	1
1738	5140122287	RELAY	1
1745		FLOAT SWITCH	1
1805	5140121141	IMPELLER	1
1845	5140121145	BASE	1
1846		SCREW [BASE >> MOTOR CASE]	3
1870	5140121116+17	CUTTING DISK	1
1871	5140121116+17	CHOPPER KNIFE	1
1872	5140121116+17	LOCKING CHOPPER KNIFE	1
1873	5140121116+17	WASHER [CHOPPER KNIFE ]	4
1874		SCREW [CUTTING DISK >> PUMP BODY]	3