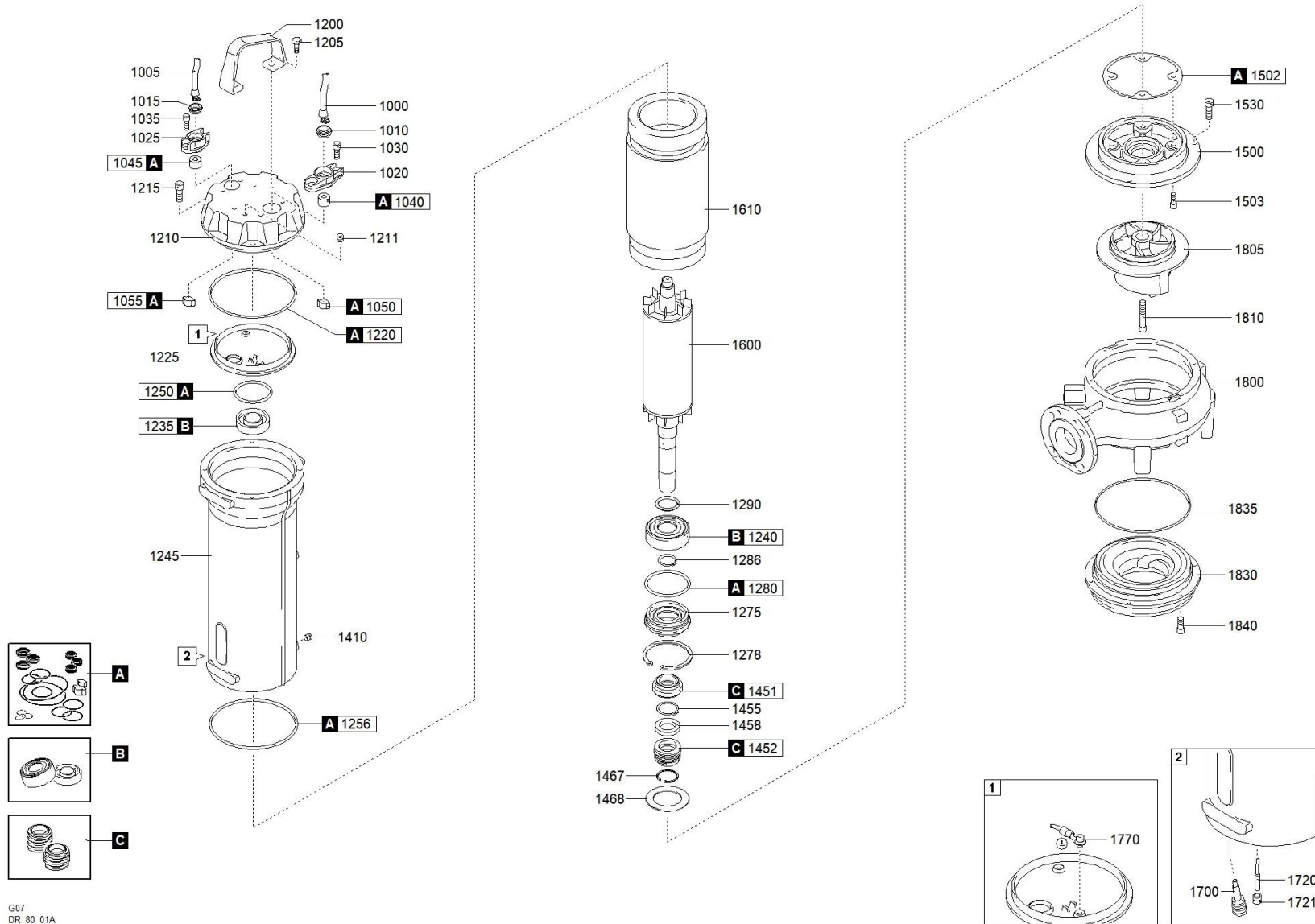




better together

1524.002 - DRG 750/4/80 D0FT5 NGTSB51040N00NN





better together



1524.002 - DRG 750/4/80 D0FT5 NGTSB51040N00NN

|      | Scanregn Varenummer | Description  | Antal |
|------|---------------------|--|-------|
| A    | 51416325A           | GASKETS KIT  | 1     |
| C    | 51416325C           | MECHANICAL SEALS KIT                                       | 1     |
| B    |                     | BEARINGS KIT   | 1     |
| 1000 |                     | CAVO POTENZA   | 1     |
| 1010 |                     | RING NUT [POWER CABLE]                                     | 1     |
| 1020 |                     | CABLE GLAND [POWER CABLE]                                  | 1     |
| 1030 |                     | SCREW - CABLE GLAND [POWER CABLE]                          | 2     |
| 1040 |                     | RUBBER GASKET [POWER CABLE]                                | 1     |
| 1050 |                     | COLLAR CLAMP [POWER CABLE]                                 | 1     |
| 1200 |                     | HANDLE   | 1     |
| 1205 |                     | SCREW [HANDLE >> COVER]                                    | 2     |
| 1210 |                     | COVER  | 1     |
| 1211 |                     | CAP [TIGHTNESS TEST]                                       | 1     |
| 1215 |                     | SCREW [COVER >> MOTOR CASE]                                | 6     |
| 1220 |                     | GASKET [COVER >> UPPER BEARING HOLDER]                     | 1     |
| 1225 |                     | UPPER BEARING HOLDER                                       | 1     |
| 1235 | 518063052z          | UPPER BEARING  | 1     |
| 1240 | 518063072ZC3        | LOWER BEARING  | 1     |
| 1245 |                     | MOTOR CASE   | 1     |
| 1250 |                     | GASKET [UPPER BEARING]                                     | 1     |
| 1256 |                     | GASKET [MOTOR CASE >> PUMP PLATE]                          | 1     |
| 1275 |                     | LOWER BEARING FLANGE                                       | 1     |
| 1278 |                     | SEEGER [LOWER BEARING FLANGE]                              | 1     |
| 1280 |                     | GASKET [LOWER BEARING FLANGE]                              | 1     |
| 1286 |                     | SEEGER [LOWER BEARING >> LOWER BEARING FLANGE]             | 1     |
| 1290 |                     | DISTANCE RING [LOWER BEARING]                              | 1     |
| 1410 |                     | CAP [OIL CHAMBER]  | 1     |
| 1451 |                     | 1st MECHANICAL SEAL  | 1     |
| 1452 |                     | 2nd MECHANICAL SEAL  | 1     |
| 1455 |                     | SEEGER [1st MECHANICAL SEAL >> 2nd MECHANICAL SEAL]        | 1     |
| 1458 |                     | DISTANCE RING [1st MECHANICAL SEAL >> 2nd MECHANICAL SEAL] | 1     |
| 1467 |                     | SEEGER [2nd MECHANICAL SEAL]                               | 1     |
| 1468 |                     | DISTANCE RING [2nd MECHANICAL SEAL]                        | 1     |
| 1500 |                     | PUMP PLATE   | 1     |
| 1502 |                     | GASKET [PUMP PLATE]  | 1     |
| 1503 |                     | SCREW [PUMP PLATE >> MOTOR CASE]                           | 6     |
| 1520 |                     | GASKET [PUMP PLATE >> PUMP BODY]                           | 1     |
| 1530 |                     | SCREW [PUMP PLATE >> PUMP BODY]                            | 6     |

|      |                                      |   |
|------|--------------------------------------|---|
| 1600 | SHAFT WITH ROTOR                     | 1 |
| 1610 | WOUND STATOR                         | 1 |
| 1700 | HUMIDITY PROBE [OIL CHAMBER]         | 1 |
| 1800 | PUMP BODY                            | 1 |
| 1805 | IMPELLER                             | 1 |
| 1810 | LOCKING IMPELLER                     | 1 |
| 1830 | SUCTION FLANGE                       | 1 |
| 1835 | GASKET [PUMP BODY >> SUCTION FLANGE] | 1 |
| 1835 | GASKET [PUMP BODY >> SUCTION FLANGE] | 2 |
| 1840 | SCREW [SUCTION FLANGE >> PUMP BODY]  | 6 |