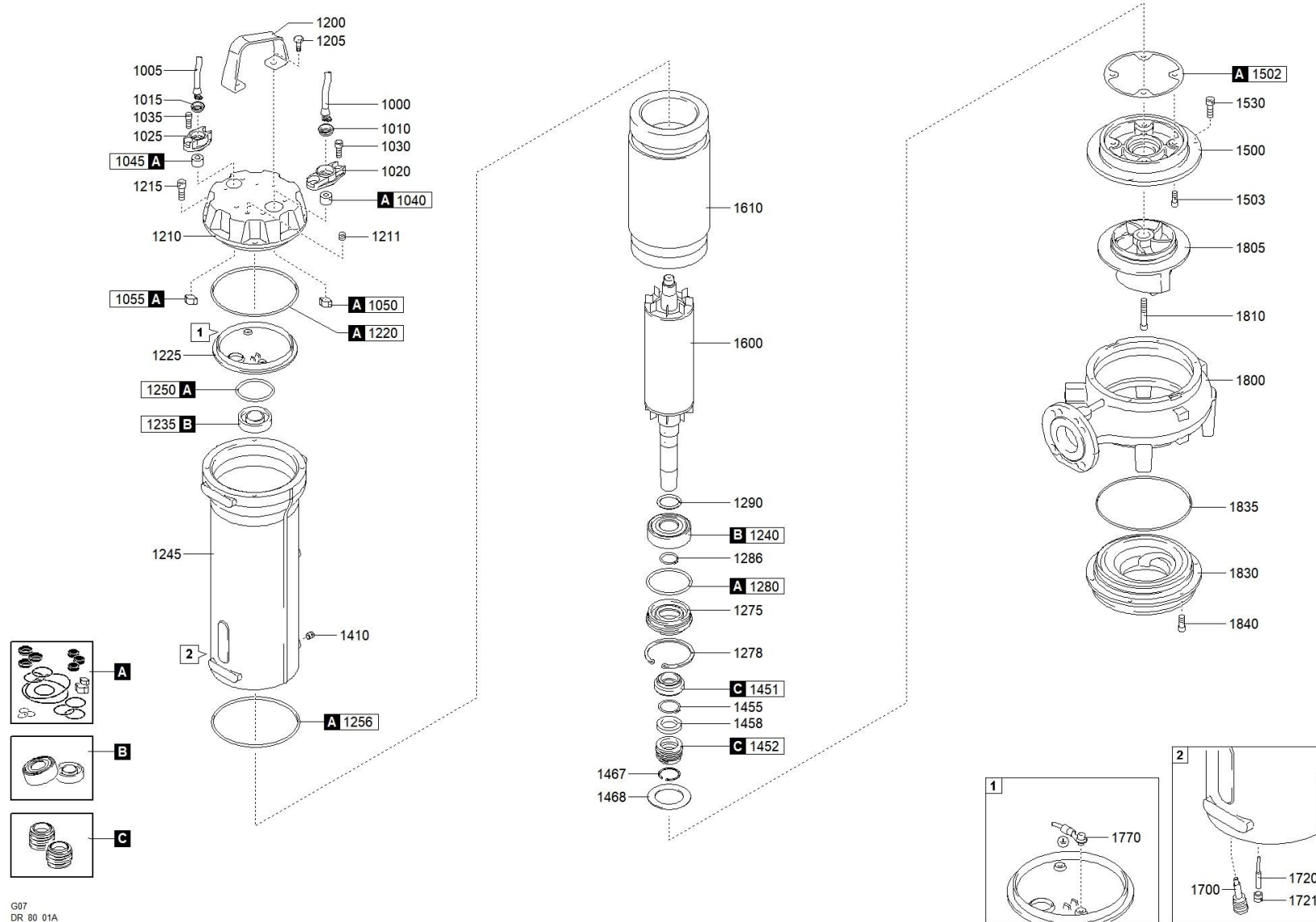




better together

1501.003 - DRG 750/2/80 A0FT5 NGTSB51040N00NN





better together



1501.003 - DRG 750/2/80 A0FT5 NGTSB51040N00NN

☒	↑	Scanregn Varenummer	↕	Description	Antal
A		51416325A		GASKETS KIT	1
C		51416325C		MECHANICAL SEALS KIT	1
B				BEARINGS KIT	1
1000				CAVO POTENZA	1
1010				RING NUT [POWER CABLE]	1
1020				CABLE GLAND [POWER CABLE]	1
1030				SCREW - CABLE GLAND [POWER CABLE]	2
1040				RUBBER GASKET [POWER CABLE]	1
1050				COLLAR CLAMP [POWER CABLE]	1
1200				HANDLE	1
1205				SCREW [HANDLE >> COVER]	2
1210				COVER	1
1211				CAP [TIGHTNESS TEST]	1
1211				CAP [TIGHTNESS TEST]	1
1215				SCREW [COVER >> MOTOR CASE]	4
1220				GASKET [COVER >> UPPER BEARING HOLDER]	1
1225				UPPER BEARING HOLDER	1
1235		518063052Z		UPPER BEARING	1
1240		518063072ZC3		LOWER BEARING	1
1245				MOTOR CASE	1
1250				GASKET [UPPER BEARING]	1
1256				GASKET [MOTOR CASE >> PUMP PLATE]	1
1275				LOWER BEARING FLANGE	1
1278				SEEGER [LOWER BEARING FLANGE]	1
1280				GASKET [LOWER BEARING FLANGE]	1
1286				SEEGER [LOWER BEARING >> LOWER BEARING FLANGE]	1
1290				DISTANCE RING [LOWER BEARING]	1
1410				CAP [OIL CHAMBER]	1
1410				CAP [OIL CHAMBER]	1
1451				1st MECHANICAL SEAL	1
1452				2nd MECHANICAL SEAL	1
1455				SEEGER [1st MECHANICAL SEAL >> 2nd MECHANICAL SEAL]	1
1458				DISTANCE RING [1st MECHANICAL SEAL >> 2nd MECHANICAL SEAL]	1
1467				SEEGER [2nd MECHANICAL SEAL]	1
1468				DISTANCE RING [2nd MECHANICAL SEAL]	1
1500				PUMP PLATE	1
1502				GASKET [PUMP PLATE]	1
1503				SCREW [PUMP PLATE >> MOTOR CASE]	4

1530		SCREW [PUMP PLATE >> PUMP BODY]	4
1600	514137501600	SHAFT WITH ROTOR	1
1610	514137501610	WOUND STATOR	1
1700		HUMIDITY PROBE [OIL CHAMBER]	1
1800		PUMP BODY	1
1805		IMPELLER	1
1810		LOCKING IMPELLER	1
1830		SUCTION FLANGE	1
1835		GASKET [PUMP BODY >> SUCTION FLANGE]	2
1840		SCREW [SUCTION FLANGE >> PUMP BODY]	6