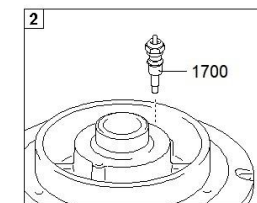
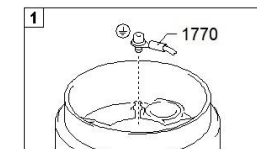
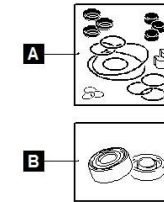
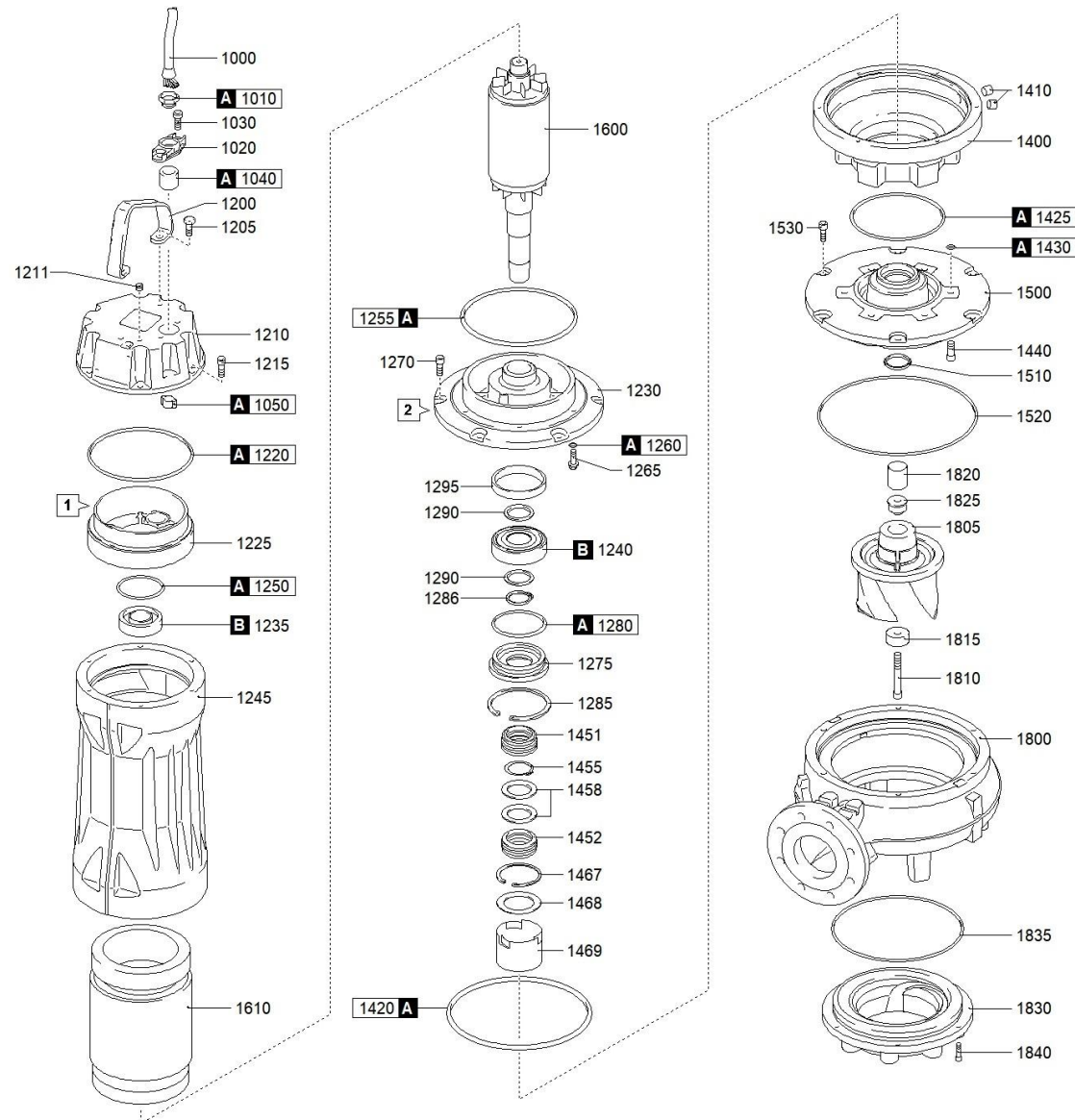




better together

1905.003 - DRG 550/6/150 F0GT5 NGTSB5104YD00NN





better together



1905.003 - DRG 550/6/150 F0GT5 NGTSB5104YD00NN

		Scanregn Varenummer		Description	Antal
		1000		CAVO POTENZA	1
		1010		RING NUT [POWER CABLE]	1
		1020		CABLE GLAND [POWER CABLE]	1
		1030		SCREW - CABLE GLAND [POWER CABLE]	2
		1040		RUBBER GASKET [POWER CABLE]	1
		1050		COLLAR CLAMP [POWER CABLE]	1
		1200		HANDLE	1
		1205		SCREW [HANDLE >> COVER]	2
		1210		COVER	1
		1211		CAP [TIGHTNESS TEST]	1
		1215		SCREW [COVER >> MOTOR CASE]	6
		1220		GASKET [COVER >> UPPER BEARING HOLDER]	1
		1225		UPPER BEARING HOLDER	1
		1230		LOWER BEARING HOLDER	1
		1235	51806306	UPPER BEARING	1
		1240	51803308	LOWER BEARING	1
		1245		MOTOR CASE	1
		1250		GASKET [UPPER BEARING]	1
		1255		GASKET [MOTOR CASE >> LOWER BEARING HOLDER]	1
		1260		GASKET [LOWER BEARING HOLDER >> MOTOR CASE]	6
		1265		SCREW [LOWER BEARING HOLDER >> MOTOR CASE]	6
		1270		SCREW [LOWER BEARING HOLDER >> OIL CHAMBER]	6
		1275		LOWER BEARING FLANGE	1
		1280		GASKET [LOWER BEARING FLANGE]	1
		1285		SEEGER [LOWER BEARING FLANGE >> MECHANICAL SEAL]	1
		1286		SEEGER [LOWER BEARING >> LOWER BEARING FLANGE]	1
		1290		DISTANCE RING [LOWER BEARING]	2
		1400		OIL CHAMBER	1
		1410		CAP [OIL CHAMBER]	2
		1420		GASKET [LOWER BEARING HOLDER >> OIL CHAMBER]	1
		1425		GASKET [OIL CHAMBER >> PUMP PLATE]	1
		1430		GASKET [PUMP PLATE >> OIL CHAMBER]	6
		1440		SCREW [PUMP PLATE >> OIL CHAMBER]	6
		1451		1st MECHANICAL SEAL	1
		1452		2nd MECHANICAL SEAL	1
		1455		SEEGER [1st MECHANICAL SEAL >> 2nd MECHANICAL SEAL]	1
		1458		DISTANCE RING [1st MECHANICAL SEAL >> 2nd MECHANICAL SEAL]	2
		1467		SEEGER [2nd MECHANICAL SEAL]	1



1468		DISTANCE RING [2nd MECHANICAL SEAL]	1
1469		BUSH [OIL]	1
1500		PUMP PLATE	1
1520		GASKET [PUMP PLATE >> PUMP BODY]	1
1530		SCREW [PUMP PLATE >> PUMP BODY]	6
1600		SHAFT WITH ROTOR	1
1610	514164151610	WOUND STATOR	1
1700		HUMIDITY PROBE [OIL CHAMBER]	1
1770		GROUND CABLE CONNECTOR	1
1770		GROUND CABLE CONNECTOR	1
1770		GROUND CABLE CONNECTOR	1
1800		PUMP BODY	1
1805	514164151805	IMPELLER	1
1810		LOCKING IMPELLER	1
1815		LOCKING WASHER [IMPELLER]	1
1820		BUSH [IMPELLER]	1
1825		RING NUT [IMPELLER]	1
1830		SUCTION FLANGE	1
1835		GASKET [PUMP BODY >> SUCTION FLANGE]	1
1840		SCREW [SUCTION FLANGE >> PUMP BODY]	6