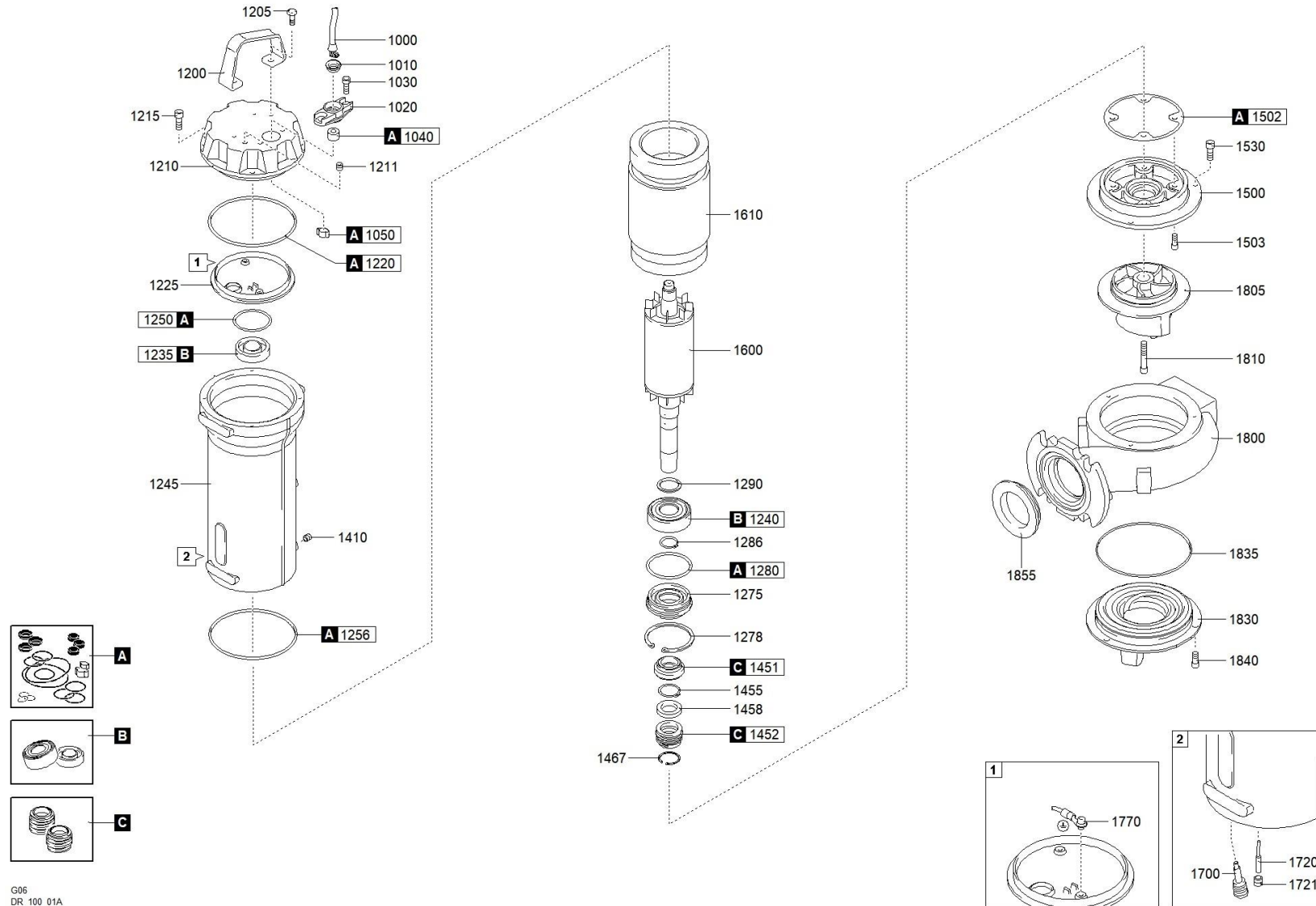




better together

1468.002 - DRG 300/4/100 U0ET5 NGTSB51040S00NN





better together



1468.002 - DRG 300/4/100 U0ET5 NGTSB51040S00NN

	Scanregn Varenummer	Description	Antal
A	51413300A	GASKETS KIT	1
C	51413300C	MECHANICAL SEALS KIT	1
B		BEARINGS KIT	1
1000		CAVO POTENZA	1
1010		RING NUT [POWER CABLE]	1
1020		CABLE GLAND [POWER CABLE]	1
1030		SCREW - CABLE GLAND [POWER CABLE]	6
1040		RUBBER GASKET [POWER CABLE]	1
1050		COLLAR CLAMP [POWER CABLE]	1
1200		HANDLE	1
1205		SCREW [HANDLE >> COVER]	2
1210		COVER	1
1211		CAP [TIGHTNESS TEST]	1
1215		SCREW [COVER >> MOTOR CASE]	6
1220		GASKET [COVER >> UPPER BEARING HOLDER]	1
1225		UPPER BEARING HOLDER	1
1235	5140112132	UPPER BEARING	1
1240	5140332129	LOWER BEARING	1
1245		MOTOR CASE	1
1250		GASKET [UPPER BEARING]	1
1256		GASKET [MOTOR CASE >> PUMP PLATE]	1
1275		LOWER BEARING FLANGE	1
1278		SEEGER [LOWER BEARING FLANGE]	1
1280		GASKET [LOWER BEARING FLANGE]	1
1286		SEEGER [LOWER BEARING >> LOWER BEARING FLANGE]	1
1290		DISTANCE RING [LOWER BEARING]	1
1410		CAP [OIL CHAMBER]	1
1451		1st MECHANICAL SEAL	1
1452		2nd MECHANICAL SEAL	1
1455		SEEGER [1st MECHANICAL SEAL >> 2nd MECHANICAL SEAL]	1
1458		DISTANCE RING [1st MECHANICAL SEAL >> 2nd MECHANICAL SEAL]	1
1467		SEEGER [2nd MECHANICAL SEAL]	1
1500		PUMP PLATE	1
1502		GASKET [PUMP PLATE]	1
1503		SCREW [PUMP PLATE >> MOTOR CASE]	6
1530		SCREW [PUMP PLATE >> PUMP BODY]	6
1600		SHAFT WITH ROTOR	1
1610	514162501610	WOUND STATOR	1

1700		HUMIDITY PROBE [OIL CHAMBER]	1
1800	51408441125	PUMP BODY	1
1805	514163051805	IMPELLER	1
1810		LOCKING IMPELLER	1
1830		SUCTION FLANGE	1
1835		GASKET [PUMP BODY >> SUCTION FLANGE]	2
1840		SCREW [SUCTION FLANGE >> PUMP BODY]	6
1855		DISCHARGE GASKET	1