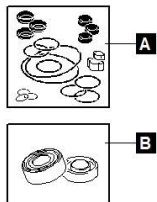
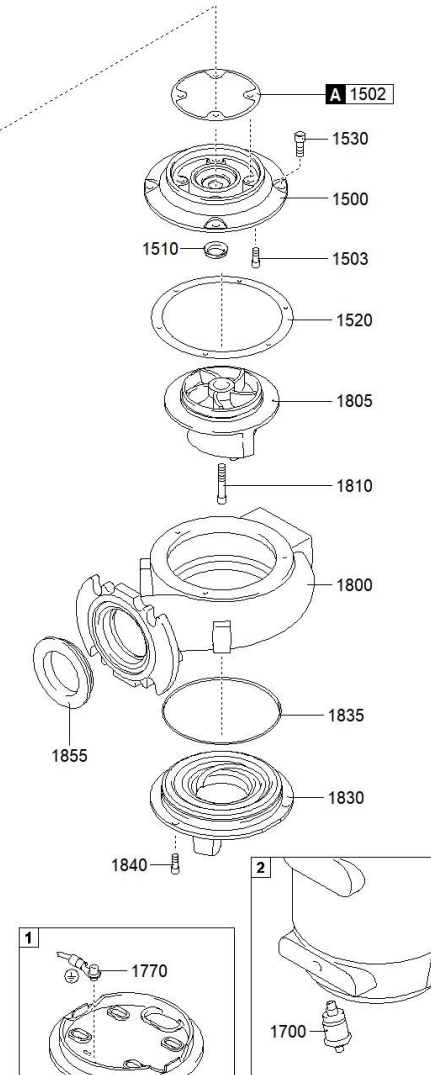
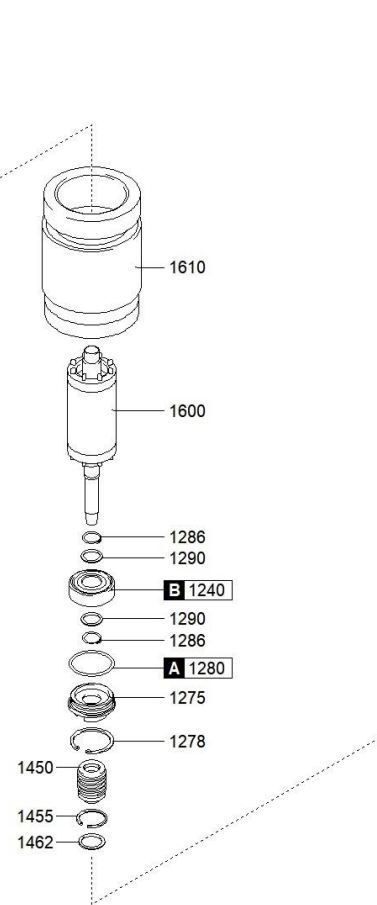
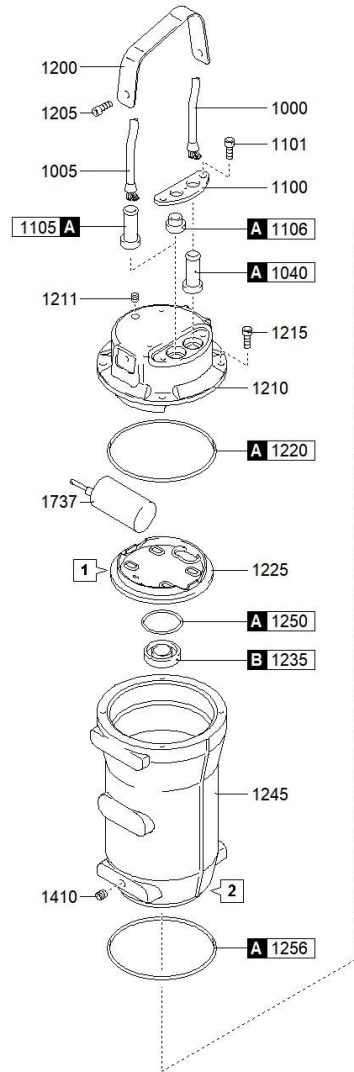
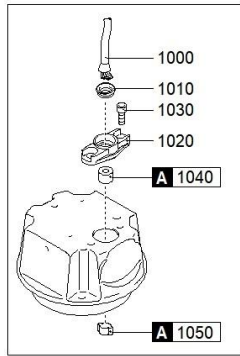




better together

1759.001 - DRG 250/2/80 L0AT5 NGNAB51040N00NN





better together



1759.001 - DRG 250/2/80 LOAT5 NGNAB51040N00NN

| | Scanregn Varenummer | Description | Antal |
|------|---------------------|---|-------|
| A | 51413250A | GASKETS KIT | 1 |
| B | | BEARINGS KIT | 1 |
| 1000 | | CAVO POTENZA | 1 |
| 1020 | | CABLE GLAND [POWER CABLE] | 1 |
| 1030 | | SCREW - CABLE GLAND [POWER CABLE] | 4 |
| 1040 | | RUBBER GASKET [POWER CABLE] | 1 |
| 1100 | | CABLE GLAND PLATE | 1 |
| 1101 | | SCREW [CABLE GLAND PLATE >> COVER] | 4 |
| 1106 | | CAP [FLOAT SWITCH] | 1 |
| 1200 | | HANDLE | 1 |
| 1205 | | SCREW [HANDLE >> COVER] | 4 |
| 1210 | | COVER | 1 |
| 1211 | | CAP [TIGHTNESS TEST] | 1 |
| 1215 | | SCREW [COVER >> MOTOR CASE] | 4 |
| 1220 | | GASKET [COVER >> UPPER BEARING HOLDER] | 1 |
| 1225 | | UPPER BEARING HOLDER | 1 |
| 1235 | 518062032Z | UPPER BEARING | 1 |
| 1240 | 518063052Z | LOWER BEARING | 1 |
| 1245 | | MOTOR CASE | 1 |
| 1250 | | GASKET [UPPER BEARING] | 1 |
| 1256 | | GASKET [MOTOR CASE >> PUMP PLATE] | 1 |
| 1275 | | LOWER BEARING FLANGE | 1 |
| 1278 | | SEEGER [LOWER BEARING FLANGE] | 1 |
| 1280 | | GASKET [LOWER BEARING FLANGE] | 1 |
| 1286 | | SEEGER [LOWER BEARING >> LOWER BEARING FLANGE] | 1 |
| 1290 | | DISTANCE RING [LOWER BEARING] | 1 |
| 1410 | | CAP [OIL CHAMBER] | 1 |
| 1450 | 514132501451 | MECHANICAL SEAL | 1 |
| 1455 | | SEEGER [1st MECHANICAL SEAL >> 2nd MECHANICAL SEAL] | 1 |
| 1462 | | RING [MECHANICAL SEAL] | 1 |
| 1500 | | PUMP PLATE | 1 |
| 1502 | | GASKET [PUMP PLATE] | 1 |
| 1503 | | SCREW [PUMP PLATE >> MOTOR CASE] | 4 |
| 1510 | | V-RING [PUMP PLATE] | 1 |
| 1520 | | GASKET [PUMP PLATE >> PUMP BODY] | 1 |
| 1530 | | SCREW [PUMP PLATE >> PUMP BODY] | 3 |
| 1600 | | SHAFT WITH ROTOR | 1 |
| 1610 | 514132501610 | WOUND STATOR | 1 |

| | | | |
|------|--------------|--------------------------------------|---|
| 1800 | 514162051800 | PUMP BODY | 1 |
| 1805 | 514162001805 | IMPELLER | 1 |
| 1810 | | LOCKING IMPELLER | 1 |
| 1830 | 514162001830 | SUCTION FLANGE | 1 |
| 1835 | 51408231452 | GASKET [PUMP BODY >> SUCTION FLANGE] | 1 |
| 1840 | | SCREW [SUCTION FLANGE >> PUMP BODY] | 3 |