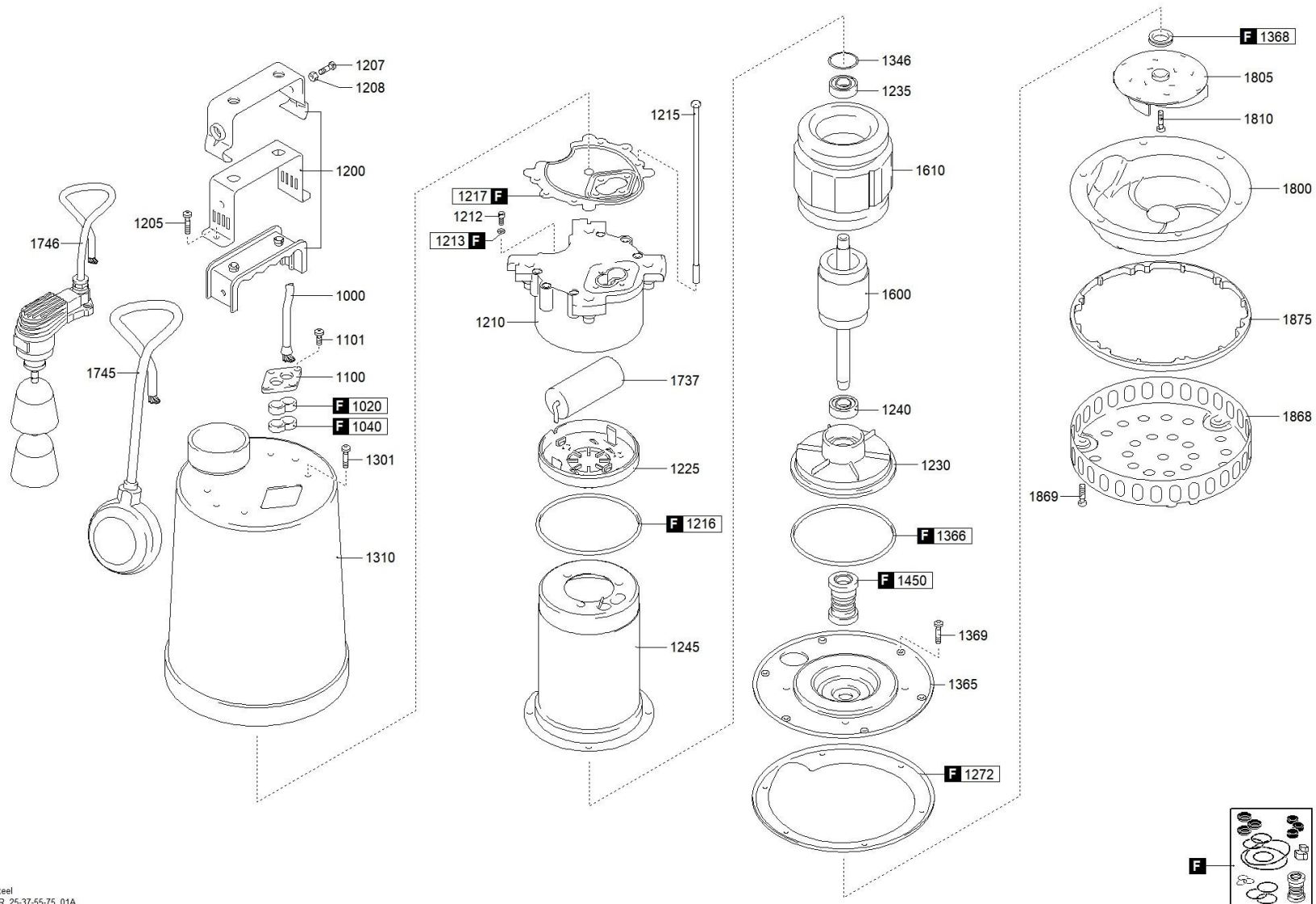




better together

5002.004 - DR-STEEL 37 M5 0 TG1H2300NN





better together



5002.004 - DR-STEEL 37 M5 0 TG1H2300NN

Scanregn varenummer	Description	Antal
F 51400900F	MAINTENANCE KIT	1
1000	CAVO POTENZA	1
1020	CABLE GLAND [POWER CABLE]	1
1040	RUBBER GASKET [POWER CABLE]	1
1100	CABLE GLAND PLATE	1
1200	HANDLE	1
1200	HANDLE	1
1200	HANDLE	1
1205	SCREW [HANDLE >> COVER]	1
1207	SCREW [HANDLE]	2
1208	NUT [HANDLE]	2
1210	COVER	1
1212	SCREW [GROUND CABLE]	1
1213	WASHER [GROUND CABLE]	1
1215	SCREW [COVER >> MOTOR CASE]	4
1216	GASKET [COVER >> MOTOR CASE]	1
1217	GASKET [COVER]	1
1225	UPPER BEARING HOLDER	1
1230	LOWER BEARING HOLDER	1
1235 518062012ZC3	UPPER BEARING	1
1240 518062012ZC3	LOWER BEARING	1
1245	MOTOR CASE	1
1272	GASKET [LOWER BEARING HOLDER >> PUMP BODY]	1
1301	SCREW - STOP RING [COOLING JACKET]	1
1310	EXTERNAL COOLING JACKET	1
1346	WAVE SPRING	1
1365	MECHANICAL SEAL FLANGE	1
1366	GASKET [LOWER BEARING HOLDER >> MECHANICAL SEAL FLANGE]	1
1368	V-RING [MECHANICAL SEAL FLANGE]	1
1369	SCREW [MECHANICAL SEAL FLANGE >> PUMP BODY]	4
1450	MECHANICAL SEAL	1
1600	SHAFT WITH ROTOR	1
1610	WOUND STATOR	1
1737	CAPACITOR	1
1745	FLOAT SWITCH	1
1800	PUMP BODY	1
1805	IMPELLER	1
1810	LOCKING IMPELLER	1

1868	CLOSED STRAINER	1
1869	SCREW [CLOSED STRAINER >> PUMP BODY]	3
1875	HYDRAULIC UNION RING	1