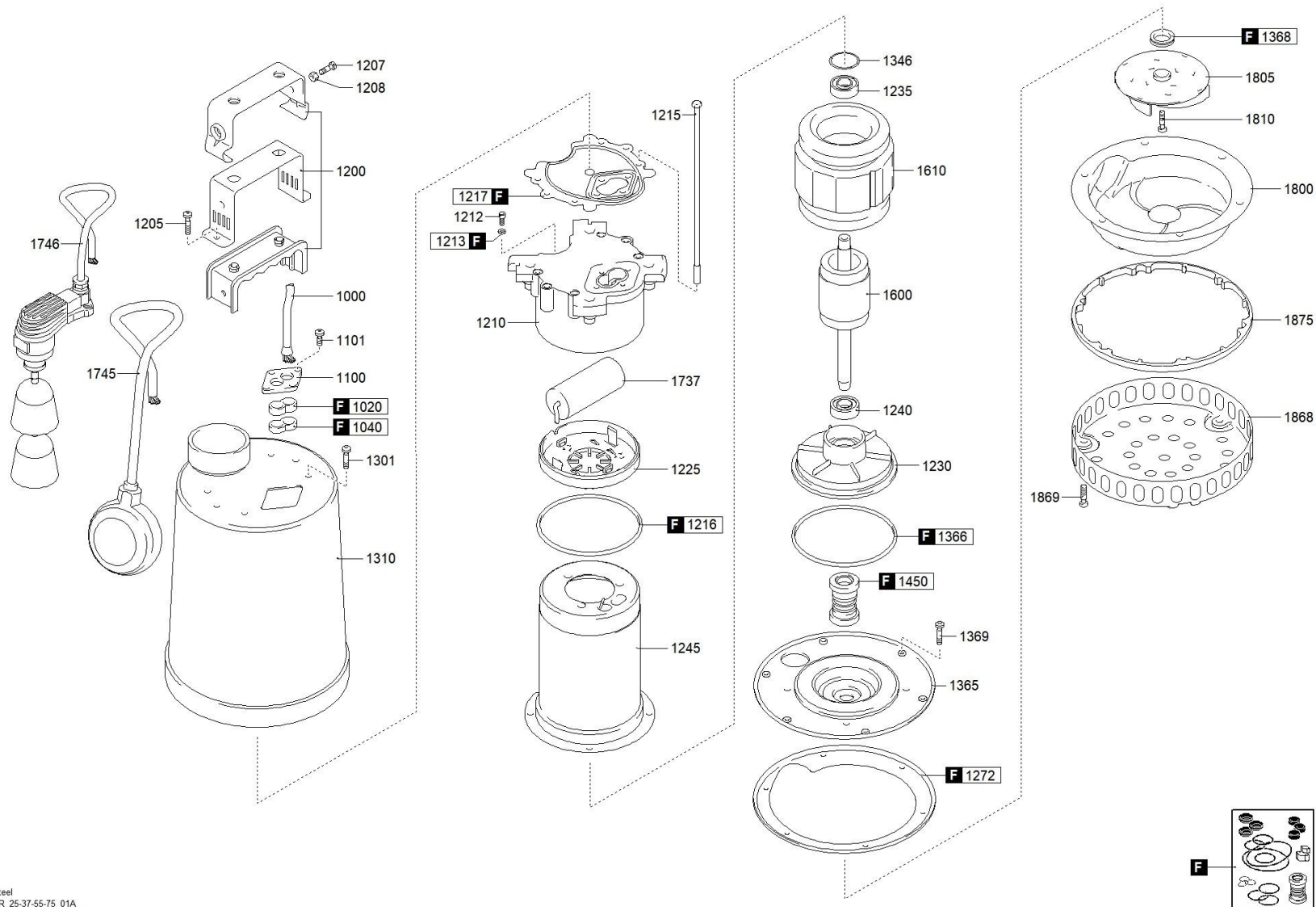




better together

5001.004 - DR-STEEL 25 M5 0 TG1H2300NN





better together



5001.004 - DR-STEEL 25 M5 0 TG1H2300NN

Scanregn varenummer	Description	Antal	Scanregn varenummer
F 51400900F	MAINTENANCE KIT	1	
1000	CAVO POTENZA	1	
1020	CABLE GLAND [POWER CABLE]	1	
1040	RUBBER GASKET [POWER CABLE]	1	
1100	CABLE GLAND PLATE	1	
1200	HANDLE	1	
1200	HANDLE	1	
1200	HANDLE	1	
1205	SCREW [HANDLE >> COVER]	4	
1207	SCREW [HANDLE]	2	
1208	NUT [HANDLE]	2	
1210	COVER	1	
1212	SCREW [GROUND CABLE]	4	
1213	WASHER [GROUND CABLE]	1	
1215	SCREW [COVER >> MOTOR CASE]	4	
1216	GASKET [COVER >> MOTOR CASE]	1	
1217	GASKET [COVER]	1	
1225	UPPER BEARING HOLDER	1	
1230	LOWER BEARING HOLDER	1	
1235 518062012ZC3	UPPER BEARING	1	
1240 518062012ZC3	LOWER BEARING	1	
1245	MOTOR CASE	1	
1272	GASKET [LOWER BEARING HOLDER >> PUMP BODY]	1	
1301	SCREW - STOP RING [COOLING JACKET]	4	
1310	EXTERNAL COOLING JACKET	1	
1346	WAVE SPRING	1	
1365	MECHANICAL SEAL FLANGE	1	
1366	GASKET [LOWER BEARING HOLDER >> MECHANICAL SEAL FLANGE]	1	
1368	V-RING [MECHANICAL SEAL FLANGE]	1	
1369	SCREW [MECHANICAL SEAL FLANGE >> PUMP BODY]	4	
1450	MECHANICAL SEAL	1	
1600	SHAFT WITH ROTOR	1	
1610	WOUND STATOR	1	
1737	CAPACITOR	1	
1745	FLOAT SWITCH	1	
1800	PUMP BODY	1	
1805	IMPELLER	1	
1810	LOCKING IMPELLER	1	

1868	CLOSED STRAINER	1
1869	SCREW [CLOSED STRAINER >> PUMP BODY]	3
1875	HYDRAULIC UNION RING	1