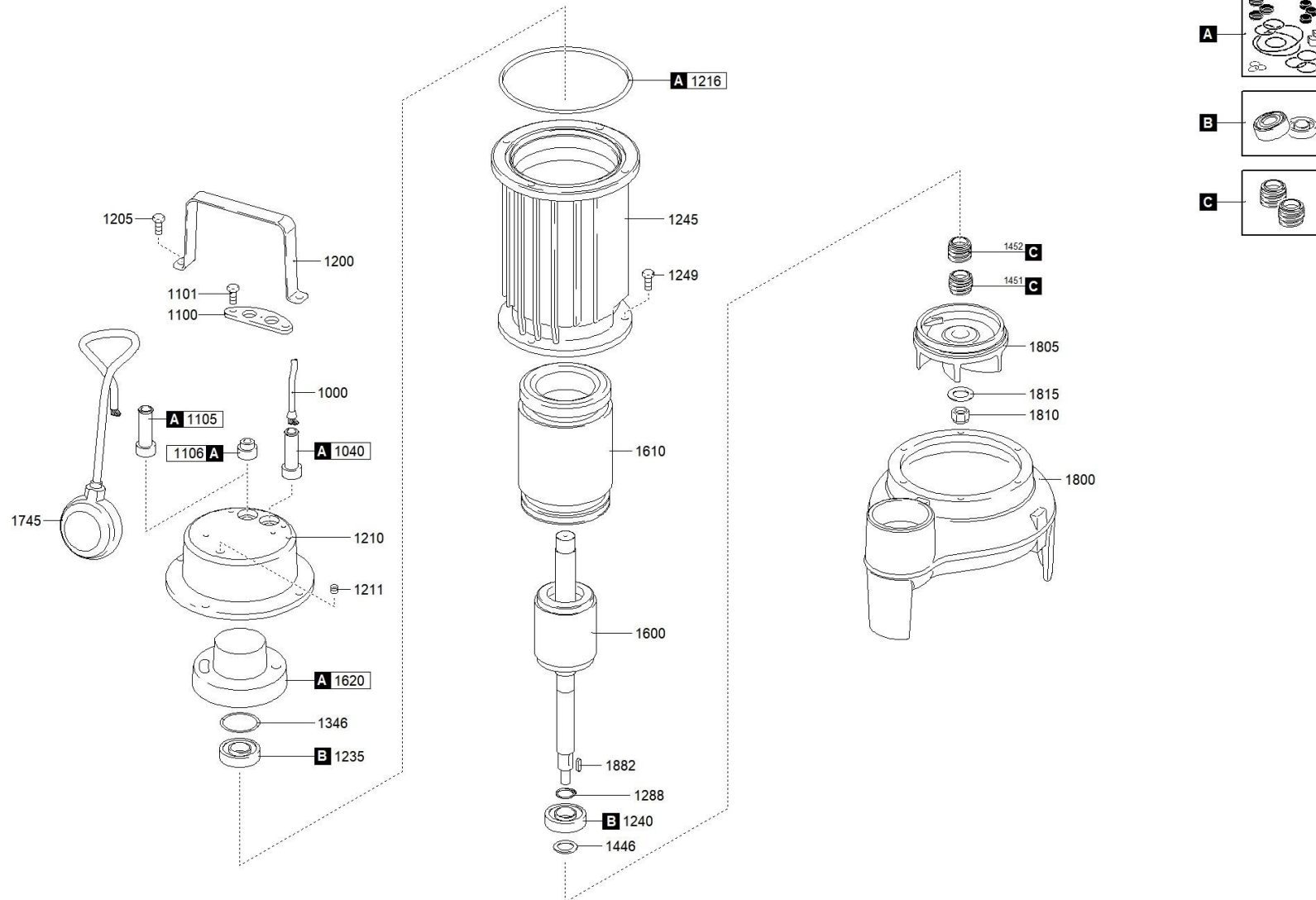




better together

1234.006 - DGO 50/2/G50V B0CM5 NGSGQ40523N00NN





better together

1234.006 - DGO 50/2/G50V B0CM5 NGSGQ40523N00NN



| Scanregn Varenummer | ↕ | Description | Antal |
|---------------------|----------------|------------------------------------|-------|
| A | 51404051100A | GASKETS KIT | 1 |
| C | 51404052134+35 | MECHANICAL SEALS KIT | 1 |
| B | | BEARINGS KIT | 1 |
| 1000 | 51404053900 | CAVO POTENZA | 1 |
| 1040 | 51404051256 | RUBBER GASKET [POWER CABLE] | 1 |
| 1100 | | CABLE GLAND PLATE | 1 |
| 1101 | | SCREW [CABLE GLAND PLATE >> COVER] | 2 |
| 1105 | 5140111256 | RUBBER GASKET [FLOAT SWITCH] | 1 |
| 1200 | 51404051252 | HANDLE | 1 |
| 1205 | | SCREW [HANDLE >> COVER] | 4 |
| 1210 | 51404051222 | COVER | 1 |
| 1211 | | CAP [TIGHTNESS TEST] | 1 |
| 1216 | 51404055530 | GASKET [COVER >> MOTOR CASE] | 1 |
| 1235 | 518062032Z | UPPER BEARING | 1 |
| 1240 | 51806302 | LOWER BEARING | 1 |
| 1245 | 51404051211 | MOTOR CASE | 1 |
| 1249 | | SCREW [MOTOR CASE >> PUMP BODY] | 4 |
| 1346 | | WAVE SPRING | 1 |
| 1446 | | WASHER [2nd MECHANICAL SEAL] | 1 |
| 1451 | 51404052134 | 1st MECHANICAL SEAL | 1 |
| 1452 | 51404052135 | 2nd MECHANICAL SEAL | 1 |
| 1600 | 51404051202 | SHAFT WITH ROTOR | 1 |
| 1610 | 51404053400M | WOUND STATOR | 1 |
| 1620 | 51404051285 | RUBBER PROTECTION | 1 |
| 1745 | 5140112245 | FLOAT SWITCH | 1 |
| 1800 | 51404051127 | PUMP BODY | 1 |
| 1805 | 51404051141 | IMPELLER | 1 |
| 1815 | | LOCKING WASHER [IMPELLER] | 1 |
| 1882 | 51404055452 | KEY [IMPELLER] | 1 |