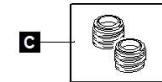
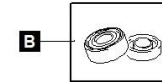
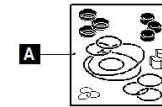
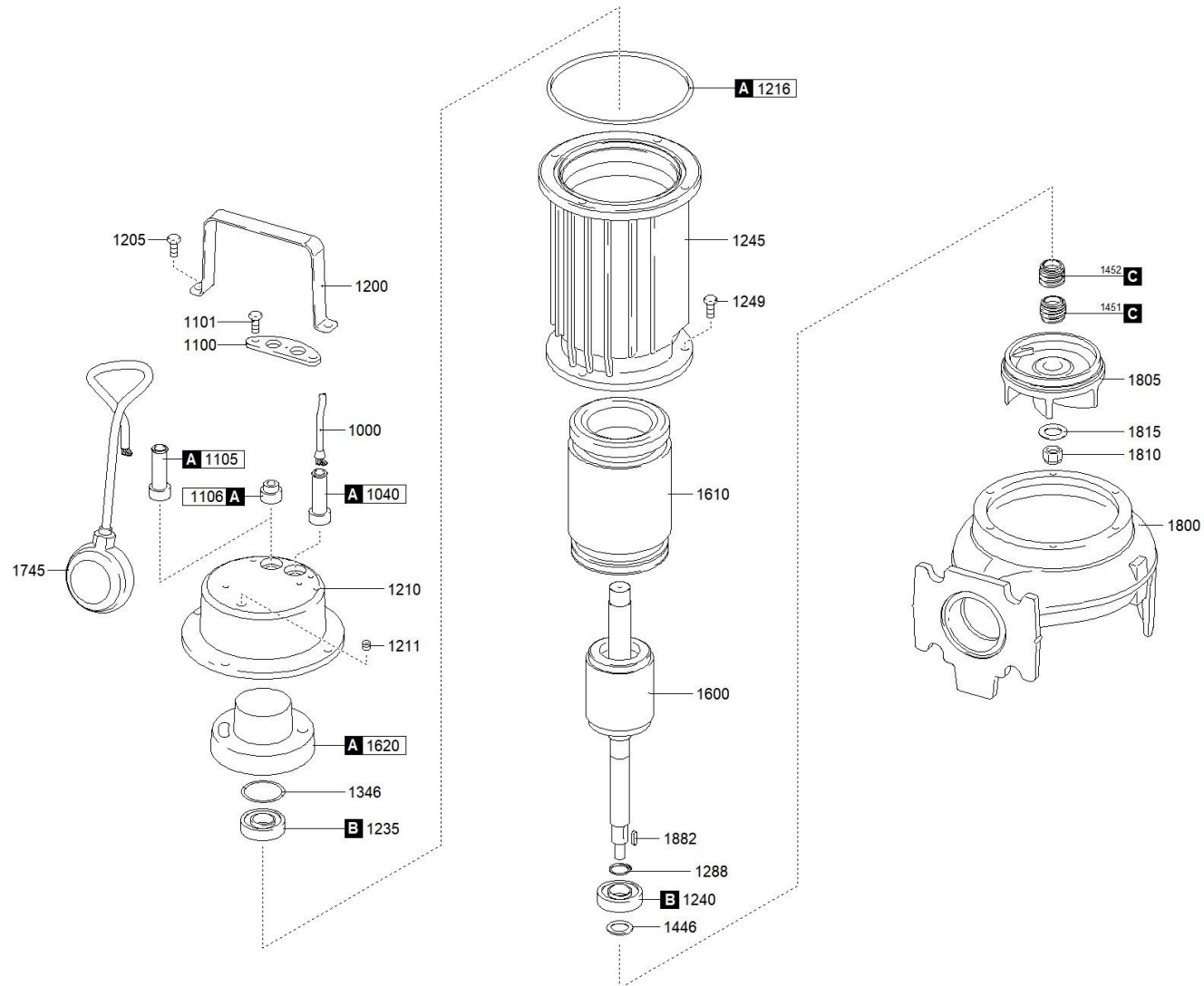




better together

0159.001 - DGO 150/2/G50H A0CT5 NGNAQ40540N00NN





better together

0159.001 - DGO 150/2/G50H A0CT5 NGNAQ40540N00NN



	Scanregn Varenummer	Description	Antal
A	51404051100A	GASKETS KIT	1
C	51404052134+35	MECHANICAL SEALS KIT	1
B		BEARINGS KIT	1
1000	51404053900	CAVO POTENZA	1
1040	51404051256	RUBBER GASKET [POWER CABLE]	1
1100		CABLE GLAND PLATE	1
1101		SCREW [CABLE GLAND PLATE >> COVER]	2
1106	51404051259	CAP [FLOAT SWITCH]	1
1200	51404051252	HANDLE	1
1205		SCREW [HANDLE >> COVER]	4
1210	51404051222	COVER	1
1211		CAP [TIGHTNESS TEST]	1
1216	51404055530	GASKET [COVER >> MOTOR CASE]	1
1235	518062032Z	UPPER BEARING	1
1240	51806302	LOWER BEARING	1
1245	51404151211	MOTOR CASE	1
1249		SCREW [MOTOR CASE >> PUMP BODY]	4
1346		WAVE SPRING	1
1446		WASHER [2nd MECHANICAL SEAL]	1
1451	51404052134+35	1st MECHANICAL SEAL	1
1452	51404052135	2nd MECHANICAL SEAL	1
1600	51404151202	SHAFT WITH ROTOR	1
1610	51404153400	WOUND STATOR	1
1620	51404151285	RUBBER PROTECTION	1
1800	51404151127H	PUMP BODY	1
1805	51404151141	IMPELLER	1
1815		LOCKING WASHER [IMPELLER]	1
1882	51404055452	KEY [IMPELLER]	1