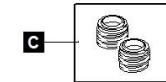
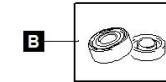
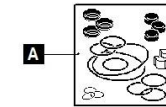
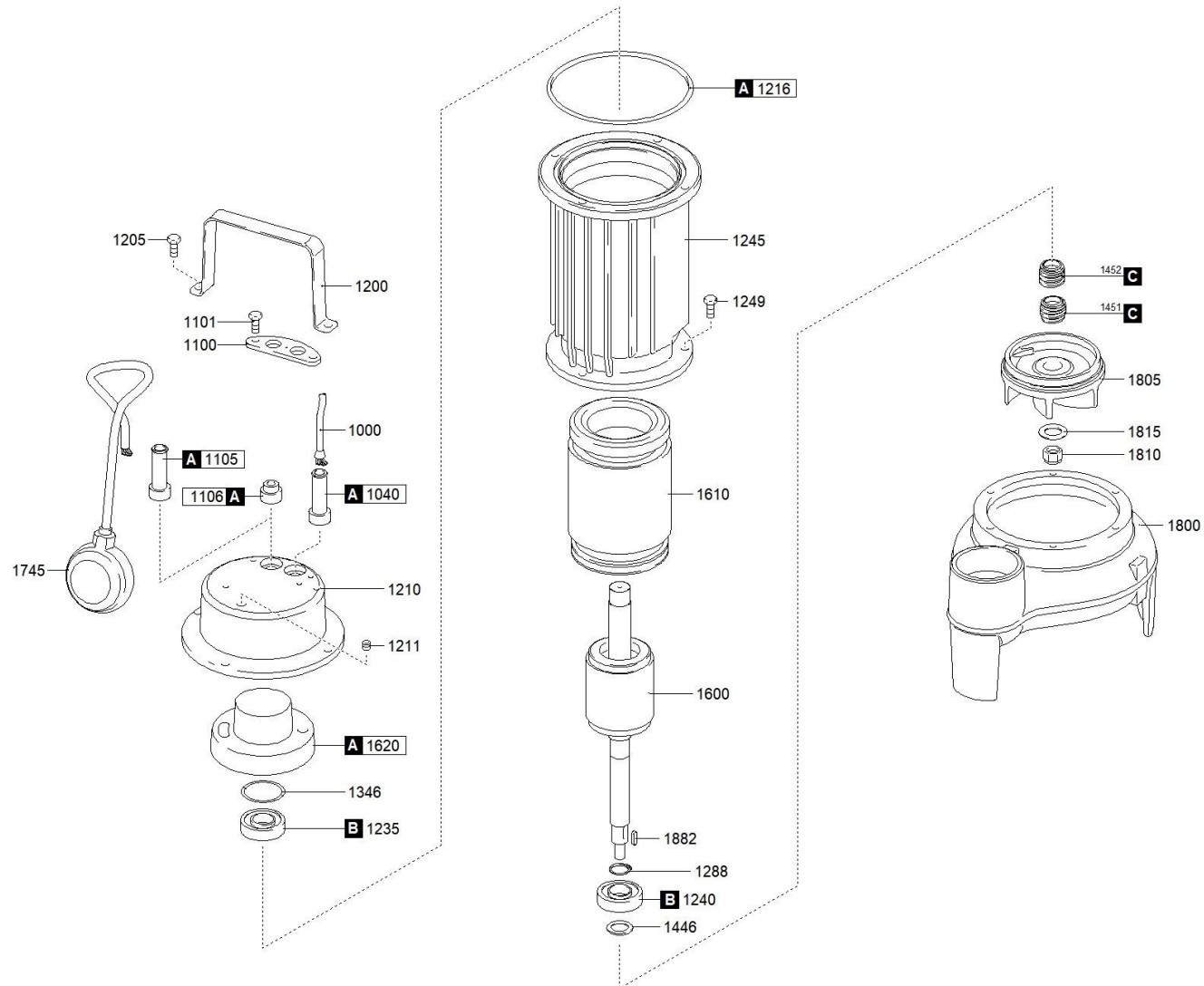




better together

1269.003 - DGO 150/2/G50V B0CM5 NGSTQ40523N00NN





better together

1269.003 - DGO 150/2/G50V B0CM5 NGSTQ40523N00NN



Scanregn Varenummer	↑↓	Description	Antal
A		51404051100A GASKETS KIT	1
C		51404052134+35 MECHANICAL SEALS KIT	1
B		BEARINGS KIT	1
1000		51404053900 CAVO POTENZA	1
1040		51404051256 RUBBER GASKET [POWER CABLE]	1
1100		CABLE GLAND PLATE	1
1101		SCREW [CABLE GLAND PLATE >> COVER]	2
1106		51404051259 CAP [FLOAT SWITCH]	1
1200		51404051252 HANDLE	1
1205		SCREW [HANDLE >> COVER]	4
1210		51404051222 COVER	1
1211		CAP [TIGHTNESS TEST]	1
1216		51404055530 GASKET [COVER >> MOTOR CASE]	1
1235		518062032Z UPPER BEARING	1
1240		51806302 LOWER BEARING	1
1245		51404151211 MOTOR CASE	1
1249		SCREW [MOTOR CASE >> PUMP BODY]	4
1346		WAVE SPRING	1
1446		WASHER [2nd MECHANICAL SEAL]	1
1451		51404052134+35 1st MECHANICAL SEAL	1
1452		51404052135 2nd MECHANICAL SEAL	1
1600		51405151202 SHAFT WITH ROTOR	1
1610		51404153400M WOUND STATOR	1
1620		51404151285 RUBBER PROTECTION	1
1800		51404151127 PUMP BODY	1
1805		51404151141 IMPELLER	1
1815		LOCKING WASHER [IMPELLER]	1
1882		51404055452 KEY [IMPELLER]	1

