

VAREGRUPPE

INDEKS

105	GRUNDFOS DYKPUMPER	SP2A / 3A	Side 105-1
		SP5A	Side 105-2
		SP7	Side 105-3
		SP9	Side 105-4
		SP11	Side 105-5
		SP14	Side 105-6
		SP17	Side 105-7
		SP30	Side 105-8
		SP46	Side 105-9
		SP60	Side 105-10
		SP77	Side 105-11
		SP95	Side 105-12
		SP125	Side 105-13
		SP160	Side 105-14
		Dykmotorer, Motorbesk, Motorkabler	Side 105-15
		Dykmotorer, Motorbesk, Motorkabler	Side 105-16
		Gummikabel og kablesamlesæt	Side 105-17
		CUE-Frekvensomformer	Side 105-18
110	GRUNDFOS IN-LINE PUMPER	TP80 Serie 300	Side 110-1
115	GRUNDFOS DYKPUMPER	SQE 2	Side 115-1
		SQE 3	Side 115-2
		SQE 5	Side 115-3
		Gummikabel og Kablesamlesæt	Side 115-4
120	GRUNDFOS CIRK.PUMPER OG TRYKFORØGERE	CM 3 / 5 / 10 – 1x230V	Side 120-1
		CM 3 / 5 / 10 – 3x400V	Side 120-2
		CM 15 / 25	Side 120-3
		CMBE 3 / 5 / Scala2 – 1x230v	Side 120-4
125	GRUNDFOS CENTR.PUMPER	CR 3	Side 125-1
		CR 5	Side 125-2
		CR10	Side 125-3
		CR15	Side 125-4
		CR20	Side 125-5
		CR32	Side 125-6
		CR45	Side 125-7
		CR64	Side 125-8
130	GRUNDFOS SELVANS.PUMPER	Rustfri JP 5 og JP 6	Side 130-1

Fortsættes næste side

VAREGRUPPE		INDEKS	
131	DAB	Hus og havepumper	Side 131-1
		Dykpumper	Side 132-2
132	SEALAND, HONDA/PACER	Hus og havepumper	Side 132-1
		Små specialpumper	Side 132-2
		Hondapumper, Pacerpumper	Side 132-3
		Speroni WX Pumper	Side 132-4
135	GRUNDFOS UNILIFT	KP 150 / 250 / 350 Unilift	Side 135-1
		CC 5 / 7 / 9 Unilift	Side 135-2
135	GRUNDFOS AFLØBSPUMPER	AP 12 Afløbspumper	Side 135-3
		AP Basic Afløbspumper	Side 135-4
140	ZENIT SPILDEV. PUMPER	Spildevandspumper m. knivskær	Side 140-1
		Spildevandspumper m. fristrømshjul	Side 140-2
		Spildevandspumper m. kanalhjul	Side 140-3
		Små spildevandspumper	Side 140-4
		Motorv., Niv.afbr. Automatiskabe	Side 140-5
145	TILBEHØR ZENIT PUMPER	Koblingsfødder, ventiler, kæde	Side 145-1
150	ATLAS COPCO	WEDA Lænsepumper	Side 150-1
160	CAPRARI PUMPER	HVU vertikale trykpumper	Side 160-1
		MEC-A Centr. Pumper.	Side 160-2
		MEC-MR Centr. Pumper.	Side 160-3
165	ROVATTI PUMPER	MEKV vertikale trykpumper	Side 165-1
		S2K65/2 Centr. Pumper	Side 165-2
		S2K80/2 Centr. Pumper	Side 165-3
		S3K100 Centr. Pumper	Side 165-4
170	OCMIS/LANDINI PUMPER	Pumper for dieselmotor	Side 170-1
		Landini Borerørspumper	Side 170-2
		Ocmis Traktorpumper	Side 170-3
175	TILBEHØR TRAKTORPUMPER	Suge- Trykstudse, Stel, Ans.Pumpe	Side 175-1
180	ELMOTORER	Fod- og Flangemotorer 3000 Omdr.	Side 180-1
		Fod- og Flangemotorer 1500 Omdr.	Side 180-2
		Elmotorer – målskitser	Side 180-4
		Elmotorer – målskitser/lejetabel	Side 180-5
185	MOTORKOBLINGER	Bico motorkoblinger 70TL	Side 185-1
		Bico motorkoblinger 90TL	Side 185-2
		Bico motorkoblinger 130TL	Side 185-3
		Bico motorkoblinger 150TL	Side 185-4
		Bico motorkoblinger 180TL	Side 185-5

GRUNDFOS DYKPUMPER

SP2A / SP3A

Type	Motor		Ydelse m ³ /t							Varenr.	Enhedspris kr.
	HK	KW	0,5	1,0	1,5	2,0	2,2	2,5			
			Løftehøjde m.v.s.								
SP2A-6	0,50	0,37	35	32	29	24	20	15	38 8312 060	11.230,00	
SP2A-9	0,50	0,37	51	48	42	34	29	20	38 8312 090	11.810,00	
SP2A-13	0,75	0,55	74	69	62	49	43	30	38 8312 130	13.010,00	
SP2A-18	1,00	0,75	104	97	86	70	60	43	38 8312 180	14.330,00	

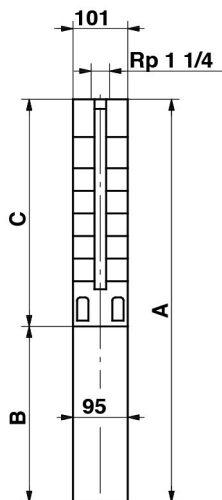
Type	Motor		Ydelse m ³ /t							Varenr.	Enhedspris kr.
	HK	KW	1,0	2,0	3,0	4,0					
			Løftehøjde m.v.s.								
SP3A-6	0,50	0,37	34	31	25	15			38 8313 060	11.485,00	
SP3A-9	0,75	0,55	52	47	38	22			38 8313 090	12.140,00	
SP3A-12	1,00	0,75	70	63	52	30			38 8313 120	13.425,00	
SP3A-15	1,50	1,1	88	80	65	39			38 8313 150	14.910,00	
SP3A-18	1,50	1,1	104	94	77	45			38 8313 180	15.490,00	
SP3A-22	2,00	1,5	128	116	95	57			38 8313 220	17.250,00	
SP3A-25	2,00	1,5	145	131	107	62			38 8313 250	17.865,00	
SP3A-29	3,00	2,2	171	155	128	78			38 8313 290	20.285,00	



TEKNISKE DATA

SP2A/SP3A

Dimensions and weights

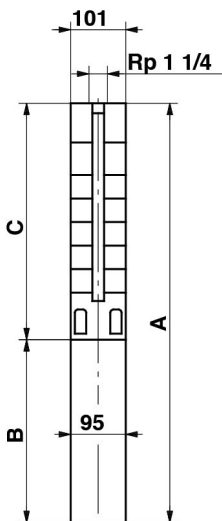


101 mm = Maximum diameter of pump inclusive of cable guard and motor.

SP 2A-75 and SP 2A-90 are mounted in sleeve for R 1 1/4 connection and with a maximum diameter of 108 mm.

Pump type	Motor		Dimensions [mm]			Net weight [kg]
	Type	Power [kW]	C	B	A	
Three-phase, 3 x 230 V / 3 x 400 V						
SP 2A-6	MS 402	0.37	281	226	507	9
SP 2A-9	MS 402	0.37	344	226	570	9
SP 2A-13	MS 402	0.55	428	241	669	11
SP 2A-18	MS 402	0.75	533	276	809	13
SP 2A-23	MS 402	1.1	638	306	944	16
SP 2A-28	MS 402	1.5	743	346	1089	18
SP 2A-33	MS 402	1.5	844	346	1190	19
SP 2A-40	MS 402	2.2	1040	346	1386	27
SP 2A-48	MS 402	2.2	1208	346	1554	30
SP 2A-55	MS 4000	3.0	1355	493	1848	38
SP 2A-65	MS 4000	3.0	1565	493	2058	41
SP 2A-75	MS 4000	4.0	1954	573	2527	57
SP 2A-90	MS 4000	4.0	2269	573	2842	64

Dimensions and weights



101 mm = Maximum diameter of pump inclusive of cable guard and motor.

TM00 0955 1196

Pump type	Motor		Dimensions [mm]			Net weight [kg]
	Type	Power [kW]	C	B	A	
Three-phase, 3 x 230 V / 3 x 400 V						
SP 3A-6*	MS 402	0.37	281	226	507	9
SP 3A-6N	MS 4000R	0.75	326	398	724	18
SP 3A-9*	MS 402	0.55	344	241	585	10
SP 3A-9N	MS 4000R	0.75	389	398	787	19
SP 3A-12*	MS 402	0.75	407	276	683	12
SP 3A-12N	MS 4000R	0.75	452	398	850	20
SP 3A-15*	MS 402	1.1	470	306	776	14
SP 3A-15N	MS 4000R	1.1	515	413	928	22
SP 3A-18*	MS 402	1.1	533	306	839	15
SP 3A-18N	MS 4000R	1.1	578	413	991	23
SP 3A-22*	MS 402	1.5	617	346	963	17
SP 3A-22N	MS 4000R	1.5	662	413	1075	24
SP 3A-25*	MS 402	1.5	680	346	1026	18
SP 3A-25N	MS 4000R	1.5	725	413	1138	25
SP 3A-29*	MS 402	2.2	764	346	1110	20
SP 3A-29N	MS 4000R	2.2	809	453	1262	28
SP 3A-33*	MS 402	2.2	848	346	1194	21
SP 3A-33N	MS 4000R	2.2	893	453	1346	29
SP 3A-39	MS 4000	3.0	1019	493	1512	32
SP 3A-45	MS 4000	3.0	1145	493	1638	34
SP 3A-52	MS 4000	4.0	1292	573	1865	41
SP 3A-60	MS 4000	4.0	1460	573	2033	43

* Pumps with spline shaft are only available in stainless steel EN 1.4301/AISI 304.

Note: All other pumps listed above are also available in N- and R-versions. See page 5.

GRUNDFOS DYKPUMPER

SP5A

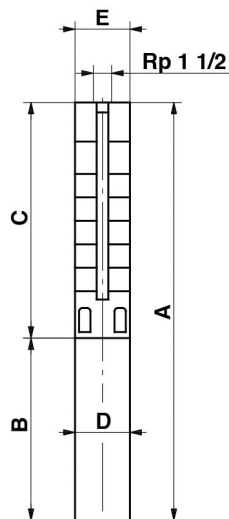
Type	Motor		Ydelse m ³ /t					Varenr.	Enhedspris kr.
	HK	KW	2	3	4	5	6		
			Løftehøjde m.v.s.						
SP5A-4	0,5	0,37	22	20	18	15	11	38 8315 040	11.330,00
SP5A-6	0,75	0,55	33	31	28	23	17	38 8315 060	11.790,00
SP5A-8	1,0	0,75	44	41	37	32	23	38 8315 080	12.880,00
SP5A-12	1,5	1,1	66	62	56	47	34	38 8315 120	14.550,00
SP5A-17	2,0	1,5	94	88	79	66	48	38 8315 170	16.500,00
SP5A-21	3,0	2,2	118	110	100	85	62	38 8315 210	18.915,00
SP5A-25	3,0	2,2	139	130	117	99	72	38 8315 250	19.720,00
SP5A-33	4,0	3,0	183	171	154	130	94	38 8315 330	26.095,00
SP5A-38	5,5	4,0	218	204	185	156	115	38 8315 380	47.805,00
SP5A-44	5,5	4,0	245	228	206	174	127	38 8315 440	51.665,00



TEKNISKE DATA

SP5A

Dimensions and weights



SP 5A-75 and SP 5A-85 are mounted in sleeve for R 1 1/2 connection.

TM00 09566 1196

Pump type	Motor		Dimensions [mm]					Net weight [kg]
	Type	Power [kW]	C	B	A	D	E	
Three-phase, 3 x 230 V / 3 x 400 V								
SP 5A-4*	MS 402	0.37	240	226	466	95	101	8
SP 5A-4N	MS 4000R	0.75	284	398	682	95	101	17
SP 5A-6*	MS 402	0.55	282	241	523	95	101	10
SP 5A-6N	MS 4000R	0.75	326	398	724	95	101	18
SP 5A-8*	MS 402	0.75	324	276	600	95	101	11
SP 5A-8N	MS 4000R	0.75	368	398	766	95	101	19
SP 5A-12*	MS 402	1.1	408	306	714	95	101	13
SP 5A-12N	MS 4000R	1.1	452	413	865	95	101	21
SP 5A-17*	MS 402	1.5	513	346	859	95	101	16
SP 5A-17N	MS 4000R	1.5	557	413	970	95	101	22
SP 5A-21*	MS 402	2.2	597	346	943	95	101	18
SP 5A-21N	MS 4000R	2.2	641	453	1094	95	101	25
SP 5A-25*	MS 402	2.2	681	346	1027	95	101	19
SP 5A-25N	MS 4000R	2.2	725	453	1178	95	101	27
SP 5A-33*	MS 4000	3.0	849	493	1342	95	101	26
SP 5A-33N	MS 4000R	3.0	893	493	1386	95	101	30
SP 5A-38	MS 4000	4.0	998	573	1571	95	101	36
SP 5A-44	MS 4000	4.0	1124	573	1697	95	101	38
SP 5A-52	MS 4000	5.5	1292	673	1965	95	101	46
SP 5A-60	MS 4000	5.5	1460	673	2133	95	101	48
SP 5A-52	MS 6000	5.5	1354	541	1895	139.5	139.5	60
SP 5A-60	MS 6000	5.5	1522	541	2063	139.5	139.5	63
SP 5A-75	MS 6000	7.5	2146	571	2717	139.5	140	86
SP 5A-85	MS 6000	7.5	2356	571	2927	139.5	140	92

E = Maximum diameter of pump inclusive of cable guard and motor.

* Pumps with spline shaft are only available in stainless steel EN 1.4301/AISI 304.

Note: All other pumps listed above are also available in N- and R-versions. See page 5.
Pumps mounted in sleeve are only available in standard and N-versions.

GRUNDFOS DYKPUMPER

SP9

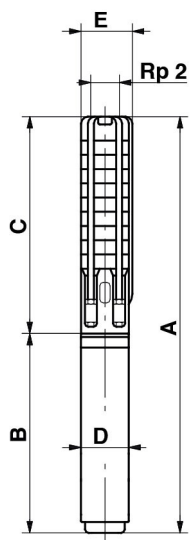
Type	Motor		Ydelse m ³ /t					Varenr.	Enhedspris kr.
	HK	KW	3	5	7	9	11		
			Løftehøjde m.v.s.						
SP9-4	1,0	0,75	25	24	23	20	15	38 8380 004	11.930,00
SP9-5	1,5	1,1	31	30	30	27	20	38 8380 005	13.445,00
SP9-8	2,0	1,5	51	50	47	40	30	38 8380 008	17.105,00
SP9-11	3,0	2,2	70	69	65	57	43	38 8380 011	21.360,00
SP9-13	4,0	3,0	83	81	78	68	51	38 8380 013	27.380,00
SP9-16	4,0	3,0	100	99	92	80	61	38 8380 016	30.215,00
SP9-18	5,5	4,0	115	113	107	92	71	38 8380 018	33.675,00
SP9-21	5,5	4,0	133	130	122	108	81	38 8380 021	36.545,00
SP9-25	7,5	5,5	160	158	149	130	101	38 8380 025	44.930,00
SP9-29	7,5	5,5	185	180	170	150	112	38 8380 029	48.680,00
SP9-36	10,0	7,5	230	225	211	186	141	38 8380 036	63.160,00



TEKNISKE DATA

SP9

Dimensions and weights



TM00 0957 1196

SP 9-59 to SP 9-80 are mounted in sleeve for R 2 connection.

Pump type	Motor		Dimensions [mm]					Net weight [kg]
	Type	Power [kW]	C	B	A	D	E	
Three-phase. 3 x 220-230 V / 3 x 380-400-415 V								
SP 9-5	MS 402	1.1	488	347	835	95	101	15.5
SP 9-5	MS 4000	1.1	488	417	905	95	101	20.2
SP 9-8	MS 402	1.5	638	387	1025	95	101	19.0
SP 9-8	MS 4000	1.5	638	417	1055	95	101	22.0
SP 9-11	MS 402	2.2	788	387	1175	95	101	22.1
SP 9-11	MS 4000	2.2	788	457	1245	95	101	25.7
SP 9-13	MS 4000	3	888	497	1385	95	101	28.9
SP 9-16	MS 4000	3	1038	497	1535	95	101	30.6
SP 9-18	MS 4000	4	1138	577	1715	95	101	35.8
SP 9-21	MS 4000	4	1288	577	1865	95	101	37.5
SP 9-23	MS 4000	5.5	1388	677	2065	95	101	43.7
SP 9-25	MS 4000	5.5	1488	677	2165	95	101	44.8
SP 9-29	MS 4000	5.5	1688	677	2365	95	101	47.2
SP 9-32	MS 4000	7.5	1838	777	2615	95	101	52.9
SP 9-36	MS 4000	7.5	2038	777	2815	95	101	55.2
SP 9-40	MS 4000	7.5	2238	777	3015	95	101	57.6
SP 9-23	MS 6000	5.5	1451	547	1998	139.5	139.5	52.6
SP 9-25	MS 6000	5.5	1551	547	2098	139.5	139.5	53.8
SP 9-29	MS 6000	5.5	1751	547	2298	139.5	139.5	56.2
SP 9-32	MS 6000	7.5	1901	577	2478	139.5	139.5	60.9
SP 9-36	MS 6000	7.5	2101	577	2678	139.5	139.5	63.3
SP 9-40	MS 6000	7.5	2301	577	2878	139.5	139.5	65.6
SP 9-44	MS 6000	9.2	2501	607	3108	139.5	139.5	75.5
SP 9-48	MS 6000	9.2	2701	607	3308	139.5	139.5	78.2
SP 9-52	MS 6000	11	2901	637	3538	139.5	139.5	83.7
SP 9-56	MS 6000	11	3396	637	4033	139.5	140	106.9
SP 9-60	MS 6000	13	3596	667	4263	139.5	140	113.4
SP 9-65	MS 6000	13	3846	667	4513	139.5	140	117.7
SP 9-69	MS 6000	13	4046	667	4713	139.5	140	121.2
SP 9-75	MS 6000	15	4346	702	5048	139.5	140	130.4
SP 9-79	MS 6000	15	4546	702	5248	139.5	140	133.9

E = Maximum diameter of pump inclusive of cable guard and motor.

Note: The pump types above are also available in N- and R-versions. See page 5.
Pumps mounted in sleeve are only available in standard and N-versions.

GRUNDFOS DYKPUMPER

SP11

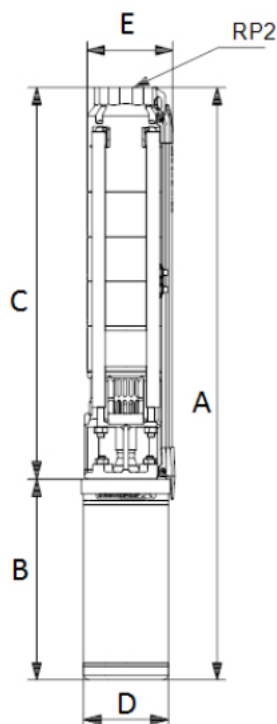
Type	Motor		Ydelse m ³ /t						Varenr.	Enhedspris kr.
	HK	KW	6	8	10	12	14			
			Løftehøjde m.v.s.							
SP11-3	1,0	0,75	17	16	14	12	9	38 8381 003	11.255,00	
SP11-5	1,5	1,10	27	26	24	20	15	38 8381 005	13.875,00	
SP11-7	2,0	1,50	38	37	34	28	22	38 8381 007	16.725,00	
SP11-11	3,0	2,20	61	57	52	45	35	38 8381 011	22.240,00	
SP11-15	4,0	3,00	82	78	71	61	48	38 8381 015	30.545,00	
SP11-20	5,5	4,00	110	104	95	81	64	38 8381 020	37.230,00	
SP11-24	7,5	5,50	133	127	116	101	80	38 8381 024	42.955,00	
SP11-28	7,5	5,50	154	146	133	115	90	38 8381 028	54.765,00	



TEKNISKE DATA

SP11

Dimensions and weights



TM00 0956 1196

Pump type	Motor		Dimensions [mm]					Net weight [kg]
	Type	Power [kW]	C	B	A	D	E	
Three-phase, 3 x 220-230 V / 3 x 380-400-415 V								
SP 11-3	MS 402	0.75	463	317	780	95	101	14.4
SP 11-3	MS 4000	0.75	463	402	865	95	101	19.5
SP 11-5	MS 402	1.1	613	347	960	95	101	16.7
SP 11-5	MS 4000	1.1	613	417	1030	95	101	21.5
SP 11-7	MS 402	1.5	763	387	1150	95	101	20.4
SP 11-7	MS 4000	1.5	763	417	1180	95	101	23.5
SP 11-11	MS 402	2.2	1063	387	1450	95	101	24.8
SP 11-11	MS 4000	2.2	1063	457	1520	95	101	28.5
SP 11-15	MS 4000	3	1363	497	1860	95	101	33.5
SP 11-20	MS 4000	4	1738	577	2315	95	101	41.6
SP 11-24	MS 4000	5.5	2038	677	2715	95	101	49.6
SP 11-24	MS 6000	5.5	2101	547	2648	139.5	139.5	60.4
SP 11-28	MS 4000	5.5	2338	677	3015	95	101	52.6
SP 11-28	MS 6000	5.5	2401	547	2948	139.5	139.5	63.4
SP 11-33	MS 4000	7.5	2713	777	3490	95	101	60.6
SP 11-33	MS 6000	7.5	2776	577	3353	139.5	139.5	70.4

E = Maximum diameter of pump inclusive of cable guard and motor.

Note: All other pumps listed above are also available in N- and R-versions. See page 5.

Pumps mounted in sleeve are only available in standard and N-versions.

GRUNDFOS DYKPUMPER

SP14

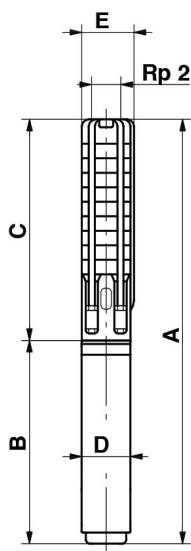
Type	Motor		Ydelse m ³ /t							Varenr.	Enhedspris kr.
	HK	KW	8	10	12	14	16	18			
			Løftehøjde m.v.s.								
SP14-4	1,5	1,1	22	21	20	18	13	11	38 8382 004	13.095,00	
SP14-6	2,0	1,5	33	31	29	23	21	17	38 8382 006	16.100,00	
SP14-8	3,0	2,2	44	42	39	35	30	23	38 8382 008	19.650,00	
SP14-13	4,0	3,0	70	67	62	55	47	36	38 8382 013	29.335,00	
SP14-17	5,5	4,0	92	87	81	73	62	47	38 8382 017	35.220,00	
SP14-23	7,5	5,5	125	118	110	99	84	65	38 8382 023	43.200,00	



TEKNISKE DATA

SP14

Dimensions and weights



TM00 0957 1196

Pump type	Motor		Dimensions [mm]					Net weigh [kg]
	Type	Power [kW]	C	B	A	D	E	
Three-phase, 3 x 220-230 V / 3 x 380-400-415 V								
SP 14-4	MS 402	1.1	538	347	885	95	101	15.4
SP 14-4	MS 4000	1.1	538	417	955	95	101	21.5
SP 14-6	MS 402	1.5	688	387	1075	95	101	17.7
SP 14-6	MS 4000	1.5	688	417	1105	95	101	22.5
SP 14-8	MS 402	2.2	838	387	1225	95	101	22.8
SP 14-8	MS 4000	2.2	838	573	1411	95	101	26.5
SP 14-11	MS 4000	3	1063	497	1560	95	101	30.5
SP 14-13	MS 4000	3	1213	497	1710	95	101	31.5
SP 14-15	MS 4000	4	1363	577	1940	95	101	37.5
SP 14-17	MS 4000	4	1513	577	2090	95	101	38.6
SP 14-20	MS 4000	5.5	1738	677	2415	95	101	46.6
SP 14-20	MS 6000	5.5	1801	547	2348	139.5	139.5	57.4
SP 14-23	MS 4000	5.5	1963	677	2640	95	95	48.6
SP 14-23	MS 6000	5.5	2026	547	2573	139.5	139.5	59.4
SP 14-27	MS 4000	7.5	2263	777	3040	95	95	55.6
SP 14-27	MS 6000	7.5	2325	577	2902	139.5	139.5	65.4

E = Maximum diameter of pump inclusive of cable guard and motor.

Note: The pump types above are also available in N- and R- versions. See page 5.

GRUNDFOS DYKPUMPER

SP17

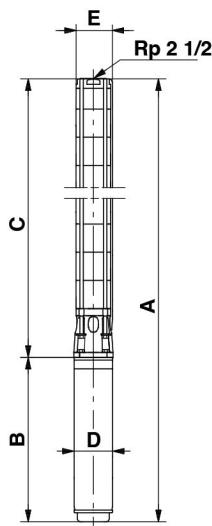
Type	Motor		Ydelse m ³ /t							Varenr.	Enhedspris kr.
	HK	KW	10	12	14	16	18	20			
			Løftehøjde m.v.s.								
SP 17-1	0,75	0,55	10	9	8	7	6	5	38 8336 010	14.260,00	
SP 17-2	1,5	1,1	20	18	17	16	14	12	38 8336 020	17.160,00	
SP 17-4	3,0	2,2	41	38	36	33	28	24	38 8336 040	22.900,00	
SP 17-5	4,0	3,0	52	48	45	42	37	31	38 8336 050	29.830,00	
SP 17-7	5,5	4,0	72	70	66	61	51	44	38 8336 070	35.565,00	
SP 17-10	7,5	5,5	103	97	92	83	74	63	38 8336 100	42.950,00	
SP 17-13	10,0	7,5	135	127	119	109	97	83	38 8336 130	59.080,00	
SP 17-17	12,5	9,2	175	165	155	140	125	105	38 8336 170	69.300,00	
SP 17-20	15,0	11,0	205	196	183	165	147	125	38 8336 200	75.045,00	



TEKNISKE DATA

SP17

Dimensions and weights



Pump type	Motor		Dimensions [mm]					Net weight [kg]	
	Type	Power [kW]	C	B	A	D	E*		E**
Three-phase, 3 x 230 V / 3 x 400 V									
SP 17-1	MS 402	0.55	324	282	606	95	134	11	
SP 17-1	MS 4000	0.75	324	402	726	95	134	18	
SP 17-2	MS 402	1.1	384	347	731	95	134	15	
SP 17-2	MS 4000	1.1	384	417	801	95	134	20	
SP 17-3	MS 402	2.2	444	387	831	95	134	19	
SP 17-3	MS 4000	2.2	444	457	901	95	134	23	
SP 17-4	MS 402	2.2	504	387	891	95	134	21	
SP 17-4	MS 4000	2.2	504	457	961	95	134	25	
SP 17-5	MS 4000	3.0	564	497	1061	95	134	27	
SP 17-6	MS 4000	4.0	624	577	1201	95	134	32	
SP 17-7	MS 4000	4.0	684	577	1261	95	134	34	
SP 17-8	MS 4000	5.5	744	677	1421	95	134	40	
SP 17-9	MS 4000	5.5	804	677	1481	95	134	42	
SP 17-10	MS 4000	5.5	864	677	1541	95	134	43	
SP 17-11	MS 4000	7.5	924	777	1701	95	134	50	
SP 17-12	MS 4000	7.5	984	777	1761	95	134	51	
SP 17-13	MS 4000	7.5	1044	777	1821	95	134	53	
SP 17-8	MS 6000	5.5	763	544	1307	139.5	142	144	49
SP 17-9	MS 6000	5.5	823	544	1367	139.5	142	144	50
SP 17-10	MS 6000	5.5	883	544	1427	139.5	142	144	52
SP 17-11	MS 6000	7.5	943	574	1517	139.5	142	144	56
SP 17-12	MS 6000	7.5	1003	574	1577	139.5	142	144	58
SP 17-13	MS 6000	7.5	1063	574	1637	139.5	142	144	59
SP 17-14	MS 6000	9.2	1123	604	1727	139.5	142	144	66
SP 17-15	MS 6000	9.2	1183	604	1787	139.5	142	144	67
SP 17-16	MS 6000	9.2	1243	604	1847	139.5	142	144	69
SP 17-17	MS 6000	9.2	1303	604	1907	139.5	142	144	70
SP 17-18	MS 6000	11	1363	634	1997	139.5	142	144	75
SP 17-19	MS 6000	11	1423	634	2057	139.5	142	144	76
SP 17-20	MS 6000	11	1483	634	2117	139.5	142	144	77

TM01 2435 1798

GRUNDFOS DYKPUMPER

SP30

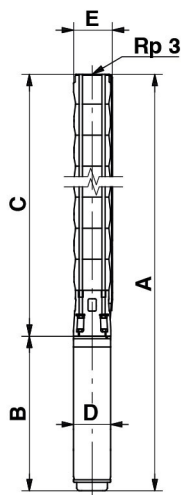
Type	Motor		Ydelse m ³ /t						Varenr.	Enhedspris kr.
	HK	KW	16	20	24	28	32	35		
			Løftehøjde m.v.s.							
SP 30-1	1,5	1,1	10	9	8	7	6	4	38 8338 010	16.145,00
SP 30-2	3,0	2,2	20	18	17	16	13	11	38 8338 020	20.590,00
SP 30-3	4,0	3,0	30	27	26	23	20	16	38 8338 030	26.975,00
SP 30-4	5,5	4,0	40	37	35	32	27	22	38 8338 040	30.785,00
SP 30-6	7,5	5,5	60	56	53	47	41	34	38 8338 060	39.000,00
SP 30-8	10,0	7,5	80	76	71	64	55	45	38 8338 080	39.260,00
SP 30-11	12,5	9,2	110	106	97	87	75	65	38 8338 110	41.945,00
SP 30-13	15,0	11,0	130	122	114	104	89	74	38 8338 130	45.460,00
SP 30-15	17,5	13,0	150	142	133	120	104	88	38 8338 150	52.705,00



TEKNISKE DATA

SP30

Dimensions and weights



Pump type	Motor		Dimensions [mm]					Net weight [kg]	
	Type	Power [kW]	C	B	A	D	E*		E**
Three-phase, 3 x 230 V / 3 x 400 V									
SP 30-1	MS 402	1.1	358	347	705	95	134	15	
SP 30-1	MS 4000	1.1	358	417	775	95	134	20	
SP 30-2	MS 402	2.2	387	457	844	95	134	19	
SP 30-2	MS 4000	2.2	454	457	911	95	134	24	
SP 30-3	MS 4000	3.0	550	497	1047	95	134	26	
SP 30-4	MS 4000	4.0	646	577	1223	95	134	32	
SP 30-5	MS 4000	5.5	742	677	1419	95	134	39	
SP 30-6	MS 4000	5.5	838	677	1515	95	134	41	
SP 30-7	MS 4000	7.5	934	777	1711	95	134	48	
SP 30-8	MS 4000	7.5	1030	777	1807	95	134	50	
SP 30-5	MS 6000	5.5	761	544	1305	139.5	142	144	47
SP 30-6	MS 6000	5.5	857	544	1401	139.5	142	144	49
SP 30-7	MS 6000	7.5	953	574	1527	139.5	142	144	55
SP 30-8	MS 6000	7.5	1049	574	1623	139.5	142	144	57
SP 30-9	MS 6000	9.2	1145	604	1749	139.5	142	144	64
SP 30-10	MS 6000	9.2	1241	604	1845	139.5	142	144	66
SP 30-11	MS 6000	9.2	1337	604	1941	139.5	142	144	68
SP 30-12	MS 6000	11	1433	634	2067	139.5	142	144	73
SP 30-13	MS 6000	11	1529	634	2163	139.5	142	144	75
SP 30-14	MS 6000	13	1625	664	2289	139.5	142	144	80
SP 30-15	MS 6000	13	1721	664	2385	139.5	142	144	82
SP 30-16	MS 6000	15	1817	699	2516	139.5	142	144	88
SP 30-17	MS 6000	15	1913	699	2612	139.5	142	144	90

GRUNDFOS DYKPUMPER

SP46

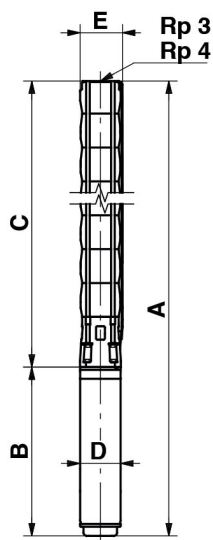
Type	Motor		Ydelse m ³ /t								Varenr.	Enhedspris kr.
	HK	KW	30	35	40	45	50	55	58			
			Løftehøjde m.v.s.									
SP46-2BB	3,0	2,2	15	14	12	10	8	3	1		38 8340 019	17.550,00
SP46-2	4,0	3,0	21	19	18	16	14	11			38 8340 025	21.090,00
SP46-3C	5,5	4,0	28	26	24	21	17	14	13		38 8340 029	25.215,00
SP46-4C	7,5	5,5	39	36	32	30	25	20	15		38 8340 039	27.350,00
SP46-5	10,0	7,5	53	50	46	42	37	31	27		38 8340 050	52.410,00
SP46-6	12,5	9,2	65	61	56	51	45	38	33		38 8340 060	58.520,00
SP46-7	15,0	11,0	76	71	66	60	53	44	39		38 8340 070	62.770,00
SP46-8	15,0	11,0	87	82	76	69	61	52	45		38 8340 079	43.225,00
SP46-10	20,0	15,0	109	102	95	86	76	64	56		38 8340 100	77.225,00
SP46-12	25,0	18,5	131	124	115	105	93	78	69		38 8340 120	89.440,00
SP46-13	25,0	18,5	143	135	125	114	101	86	75		38 8340 129	68.920,00



TEKNISKE DATA

SP46

Dimensions and weights



SP 46-26 to SP 46-37 are mounted in sleeve for R 4 connection.

TM00 0961 1196

Pump type	Motor		Dimensions [mm]					Net weight [kg]	
	Type	Power [kW]	Rp 3/Rp 4 connection						
			A	C	E*	E**	B		D
Three-phase, 3 x 230 V / 3 x 400 V									
SP 46-1-B	MS 4000	1.1	795	378	146		417	95	21
SP 46-1	MS 4000	2.2	835	378	146		457	95	23
SP 46-2-BB	MS 4000	2.2	948	491	146		457	95	26
SP 46-2	MS 4000	3.0	988	491	146		497	95	27
SP 46-3-C	MS 4000	4.0	1181	604	146		577	95	33
SP 46-3	MS 4000	5.5	1281	604	146		677	95	38
SP 46-4-C	MS 4000	5.5	1394	717	146		677	95	40
SP 46-4	MS 4000	7.5	1494	717	146		777	95	45
SP 46-5	MS 4000	7.5	1607	830	146		777	95	48
SP 46-3	MS 6000	5.5	1164	620	148	151	544	139.5	48
SP 46-4-C	MS 6000	5.5	1277	733	148	151	544	139.5	51
SP 46-4	MS 6000	7.5	1307	733	148	151	574	139.5	54
SP 46-5	MS 6000	7.5	1420	846	148	151	574	139.5	57
SP 46-6	MS 6000	9.2	1563	959	148	151	604	139.5	64
SP 46-7	MS 6000	11	1706	1072	148	151	634	139.5	70
SP 46-8-C	MS 6000	11	1819	1185	148	151	634	139.5	72
SP 46-8	MS 6000	13	1849	1185	148	151	664	139.5	75
SP 46-9-C	MS 6000	13	1962	1298	148	151	664	139.5	78
SP 46-9	MS 6000	15	1997	1298	148	151	699	139.5	82
SP 46-10	MS 6000	15	2110	1411	148	151	699	139.5	84
SP 46-11	MS 6000	18.5	2278	1524	148	151	754	139.5	92
SP 46-12	MS 6000	18.5	2391	1637	148	151	754	139.5	94
SP 46-13	MS 6000	22	2580	1766	148	151	814	139.5	103
SP 46-14	MS 6000	22	2693	1879	148	151	814	139.5	106
SP 46-15	MS 6000	22	2806	1992	148	151	814	139.5	108
SP 46-16	MS 6000	26	2979	2105	148	151	874	139.5	116
SP 46-17	MS 6000	26	3092	2218	148	151	874	139.5	118
SP 46-18	MS 6000	30	3275	2331	148	151	944	139.5	129
SP 46-19	MS 6000	30	3388	2444	148	151	944	139.5	131
SP 46-20	MS 6000	30	3501	2557	148	151	944	139.5	134
SP 46-21	MMS 6	37	3982	2670	150	153	1312	144	176
SP 46-22	MMS 6	37	4095	2783	150	153	1312	144	179
SP 46-23	MMS 6	37	4208	2896	150	153	1312	144	181
SP 46-24	MMS 6	37	4321	3009	150	153	1312	144	183
SP 46-26	MMS 8000	45	4781	3511	192	192	1270	192	278
SP 46-28	MMS 8000	45	5007	3737	192	192	1270	192	284

4" fra 46-6

GRUNDFOS DYKPUMPER

SP60

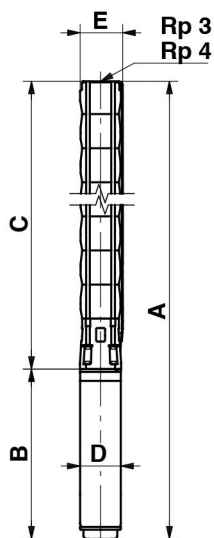
Type	Motor		Ydelse m ³ /t									Varenr.	Enhedspris kr.
	HK	KW	30	40	45	50	55	60	65	70	75		
			Løftehøjde m.v.s.										
SP60-2	5,5	4,0	22	18	17	16	14	13	11	9	6	38 8343 020	28.025,00
SP60-3	7,5	5,5	33	27	26	24	22	20	17	14	10	38 8343 030	32.000,00
SP60-4	10,0	7,5	45	38	36	34	31	28	25	20	16	38 8343 045	39.110,00
SP60-5	12,5	9,2	58	50	47	44	41	37	33	28	22	38 8343 050	60.230,00
SP60-6	15,0	11,0	69	59	56	52	48	44	39	32	25	38 8343 060	63.970,00
SP60-8	20,0	15,0	92	80	75	71	65	60	53	44	35	38 8343 080	73.220,00
SP60-9	20,0	15,0	105	91	86	81	75	68	61	51	41	38 8343 089	51.710,00
SP60-10	25,0	18,5	116	100	94	89	83	75	67	56	45	38 8343 100	84.335,00
SP60-11	25,0	18,5	130	113	107	100	94	86	76	65	52	38 8343 109	57.625,00
SP60-12	30,0	22,0	141	123	116	109	101	93	82	70	56	38 8343 120	94.560,00
SP60-13	30,0	22,0	154	135	127	120	112	102	91	78	63	38 8343 129	67.125,00
SP60-15	35,0	26,0	177	154	145	137	127	117	104	88	71	38 8343 150	108.580,00
SP60-16	35,0	26,0	187	163	154	145	135	123	110	93	71	38 8343 159	77.095,00



TEKNISKE DATA

SP60

Dimensions and weights



Pump type	Motor		Dimensions [mm]					Net weight [kg]	
	Type	Power [kW]	Rp 3/Rp 4 connection						
			A	C	E*	E**	B		D
Three-phase, 3 x 230 V / 3 x 400 V									
SP 60-1-A	MS 4000	1.5	795	378	146		417	95	21
SP 60-1	MS 4000	2.2	835	378	146		457	95	23
SP 60-2-B	MS 4000	3.0	988	491	146		497	95	27
SP 60-2	MS 4000	4.0	1068	491	146		577	95	31
SP 60-3	MS 4000	5.5	1281	604	146		677	95	38
SP 60-4	MS 4000	7.5	1494	717	146		777	95	45
SP 60-3	MS 6000	5.5	1164	620	148	151	544	139.5	48
SP 60-4	MS 6000	7.5	1307	733	148	151	574	139.5	54
SP 60-5	MS 6000	9.2	1450	846	148	151	604	139.5	62
SP 60-6	MS 6000	11	1593	959	148	151	634	139.5	67
SP 60-7	MS 6000	13	1736	1072	148	151	664	139.5	73
SP 60-8-B	MS 6000	13	1849	1185	148	151	664	139.5	75
SP 60-8	MS 6000	15	1884	1185	148	151	699	139.5	79
SP 60-9-B	MS 6000	15	1997	1298	148	151	699	139.5	82
SP 60-9	MS 6000	18.5	2052	1298	148	151	754	139.5	87
SP 60-10	MS 6000	18.5	2165	1411	148	151	754	139.5	90
SP 60-11	MS 6000	22	2338	1524	148	151	814	139.5	98
SP 60-12	MS 6000	22	2451	1637	148	151	814	139.5	100
SP 60-13	MS 6000	26	2640	1766	148	151	874	139.5	109
SP 60-14	MS 6000	26	2753	1879	148	151	874	139.5	111
SP 60-15	MS 6000	26	2866	1992	148	151	874	139.5	114
SP 60-16	MS 6000	30	3049	2105	148	151	944	139.5	124
SP 60-17	MS 6000	30	3162	2218	148	151	944	139.5	126
SP 60-18	MMS 6	37	3643	2331	150	153	1312	144	169
SP 60-19	MMS 6	37	3756	2444	150	153	1312	144	171
SP 60-20	MMS 6	37	3869	2557	150	153	1312	144	174
SP 60-21	MMS 6	37	3982	2670	150	153	1312	144	176
SP 60-22	MMS 8000	45	4082	2812	192	192	1270	192	239

* Maximum diameter of pump with one motor cable.

** Maximum diameter of pump with two motor cables.

The pump types above are also available in N- and R-versions. See page 5.

Pumps mounted in sleeve are only available in standard and N-versions.

Other types of connection are possible by means of connecting pieces. See page 100.

GRUNDFOS DYKPUMPER

SP77

Type	Motor		Ydelse m ³ /t								Varenr.	Enhedspris kr.
	HK	KW	40	50	60	70	80	90	95			
			Løftehøjde m.v.s.									
SP77-1	7,5	5,5	16	15	14	13	11				38 8344 310	59.085,00
SP77-2B	7,5	5,5	26	25	22	20	17	12	10		38 8344 319	43.485,00
SP77-2	10,0	7,5	33	30	28	25	22	18	15		38 8344 320	46.900,00
SP77-3	15,0	11,0	50	46	42	38	34	27	24		38 8344 330	55.185,00
SP77-4	20,0	15,0	67	62	57	52	46	37	32		38 8344 340	60.430,00
SP77-5	25,0	18,5	84	78	71	65	57	47	41		38 8344 350	91.670,00
SP77-6	30,0	22,0	101	93	86	78	68	56	48		38 8344 360	99.170,00
SP77-7	35,0	26,0	119	109	100	91	80	66	57		38 8344 370	109.545,00
SP77-8	35,0	26,0	136	125	115	105	92	76	66		38 8344 379	81.240,00
SP77-9	40,0	30,0	152	139	128	117	103	84	73		38 8344 390	84.590,00
SP77-10	50,0	37,0	173	159	147	134	119	98	86		38 8344 400	-

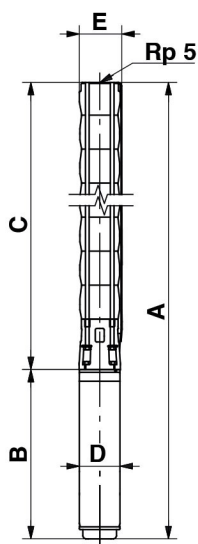
LEV. KUN MED 5" INDV. RØRGEV.



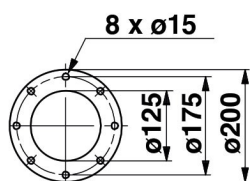
TEKNISKE DATA

SP77

Dimensions and weights



TM00 7872 2196



Pump with Grundfos flange

TM00 7323 1798

Pump type	Motor		Dimensions [mm]								Net weight [kg]		
	Type	Power [kW]	Rp 5 connection				5" Grundfos flange						
			A	C	E*	E**	A	C	E*	E**		B	D
Three-phase, 3 x 230 V / 3 x 400 V													
SP 77-1	MS 6000	5.5	1162	618	178	186	1162	618	200	200	544	139.5	55
SP 77-2-B	MS 6000	5.5	1290	746	178	186	1290	746	200	200	544	139.5	59
SP 77-2	MS 6000	7.5	1320	746	178	186	1320	746	200	200	574	139.5	63
SP 77-3-B	MS 6000	9.2	1478	874	178	186	1478	874	200	200	604	139.5	72
SP 77-3	MS 6000	11	1508	874	178	186	1508	874	200	200	634	139.5	75
SP 77-4-B	MS 6000	13	1667	1003	178	186	1667	1003	200	200	664	139.5	82
SP 77-4	MS 6000	15	1702	1003	178	186	1702	1003	200	200	699	139.5	86
SP 77-5	MS 6000	18.5	1885	1131	178	186	1885	1131	200	200	754	139.5	95
SP 77-6	MS 6000	22	2073	1259	178	186	2073	1259	200	200	814	139.5	105
SP 77-7	MS 6000	26	2261	1387	178	186	2261	1387	200	200	874	139.5	114
SP 77-8-B	MS 6000	26	2389	1515	178	186	2389	1515	200	200	874	139.5	118
SP 77-8	MS 6000	30	2459	1515	178	186	2459	1515	200	200	944	139.5	126
SP 77-9	MS 6000	30	2587	1643	178	186	2587	1643	200	200	944	139.5	129
SP 77-10	MMS 6	37	3083	1771	178	186	3083	1771	200	200	1312	143	176
SP 77-11	MMS 6	37	3226	1898	178	186	3210	1898	200	200	1312	143	179
SP 77-12	MMS 8000	45	3313	2043	200	204	3313	2043	209	209	1270	192	240
SP 77-13	MMS 8000	55	3522	2172	200	204	3522	2172	209	209	1350	192	259
SP 77-14	MMS 8000	55	3650	2300	200	204	3650	2300	209	209	1350	192	263
SP 77-15	MMS 8000	55	3779	2429	200	204					1350	192	266
SP 77-16	MMS 8000	63	4047	2557	200	204					1490	192	296
SP 77-17	MMS 8000	63	4175	2685	200	204					1490	192	300
SP 77-18	MMS 8000	63	4304	2814	200	204					1490	192	304
SP 77-19	MMS 8000	75	4826	3236	200	204					1590	192	334
SP 77-20	MMS 8000	75	4954	3364	200	204					1590	192	338
SP 77-21	MMS 8000	75	5082	3492	200	202					1590	192	342
SP 77-22	MMS 8000	92	5450	3620	200	202					1830	192	391

* Maximum diameter of pump with one motor cable.

** Maximum diameter of pump with two motor cables.

The pump types above are also available in N- and R-versions. See page 5.

Other types of connection are possible by means of connecting pieces. See page 100.

GRUNDFOS DYKPUMPER

SP95

Type	Motor		Ydelse m ³ /t									Varenr.	Enhedspris kr.
			50	60	70	80	90	100	110	120			
	HK	KW	Løftehøjde m.v.s.										
SP95-1	7,5	5,5	16	15	14	13	12	11	9	6		38 8345 010	61.695,00
SP95-2BB	7,5	5,5	21	20	20	17	14	11	5			38 8345 018	58.690,00
SP95-2A	10,0	7,5	30	27	24	23	21	17	13	10		38 8345 019	61.135,00
SP95-2	12,5	9,2	33	30	28	27	24	21	17			38 8345 020	71.880,00
SP95-3	17,5	13	50	47	44	41	38	33	27	19		38 8345 030	80.305,00
SP95-4	25,0	18,5	67	62	59	55	50	44	35	26		38 8345 040	91.115,00
SP95-5	30,0	22,0	83	78	73	68	62	54	44	32		38 8345 050	99.365,00
SP95-6	35,0	26,0	102	95	89	84	76	67	54	40		38 8345 060	74.820,00
SP95-7	40,0	30,0	121	113	106	100	92	81	66	49		38 8345 070	80.775,00
SP95-8	50,0	37,0	137	128	121	113	104	92	75	56		38 8345 080	Efter tilbud
SP95-9	50,0	37,0	150	141	133	124	112	99	79	56		38 8345 090	88.870,00
SP95-10	60,0	45,0	172	162	152	143	130	116	94	69		38 8345 100	116.250,00

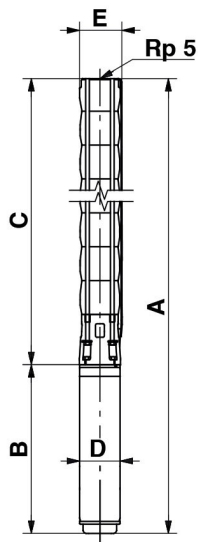
LEV. KUN MED 5" INDV. RØRGEV.



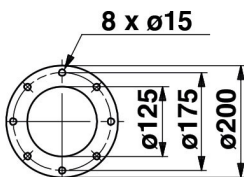
TEKNISKE DATA

SP95

Dimensions and weights



TM00 7872 2196



TM00 7323 1798

Pump with Grundfos flange

Pump type	Motor		Dimensions [mm]								Net weight [kg]		
	Type	Power [kW]	Rp 5 connection				5" Grundfos flange						
			A	C	E*	E**	A	C	E*	E**		B	D
Three-phase, 3 x 230 V / 3 x 400 V													
SP 95-1	MS 6000	5.5	1162	618	178	186	1162	618	200	200	544	139.5	55
SP 95-2-BB	MS 6000	5.5	1290	746	178	186	1290	746	200	200	544	139.5	72
SP 95-2-A	MS 6000	7.5	1320	746	178	186	1320	746	200	200	574	139.5	63
SP 95-2	MS 6000	9.2	1350	746	178	186	1350	746	200	200	604	139.5	68
SP 95-3-BB	MS 6000	9.2	1478	874	178	186	1478	874	200	200	604	139.5	72
SP 95-3-B	MS 6000	11	1508	874	178	186	1508	874	200	200	634	139.5	75
SP 95-3	MS 6000	13	1538	874	178	186	1538	874	200	200	664	139.5	78
SP 95-4-B	MS 6000	15	1702	1003	178	186	1702	1003	200	200	699	139.5	86
SP 95-4	MS 6000	18.5	1757	1003	178	186	1757	1003	200	200	754	139.5	91
SP 95-5-AB	MS 6000	18.5	1885	1131	178	186	1885	1131	200	200	754	139.5	95
SP 95-5	MS 6000	22	1945	1131	178	186	1945	1131	200	200	814	139.5	101
SP 95-6	MS 6000	26	2133	1259	178	186	2133	1259	200	200	874	139.5	110
SP 95-7	MS 6000	30	2331	1387	178	186	2331	1387	200	200	944	139.5	122
SP 95-8	MMS 6	37	2827	1515	178	186	2827	1515	200	200	1312	143	168
SP 95-9	MMS 6	37	2954	1642	178	186	2954	1642	200	200	1312	143	172
SP 95-10	MMS 8000	45	3055	1785	196	204	3055	1785	205	205	1270	192	233
SP 95-11	MMS 8000	55	3264	1914	196	204	3264	1914	205	205	1350	192	251
SP 95-12	MMS 8000	55	3393	2043	196	204	3393	2043	205	205	1350	192	255
SP 95-13	MMS 8000	55	3522	2172	196	204	3522	2172	205	205	1350	192	259
SP 95-14	MMS 8000	63	3790	2300	196	204	3790	2300	205	205	1490	192	289
SP 95-15	MMS 8000	75	4019	2429	196	204					1590	192	311
SP 95-16	MMS 8000	75	4147	2557	196	204					1590	192	315
SP 95-17	MMS 8000	75	4275	2685	196	204					1590	192	319
SP 95-18	MMS 8000	92	4938	3108	196	204					1830	192	376
SP 95-19	MMS 8000	92	5066	3236	196	204					1830	192	380
SP 95-20	MMS 8000	92	5194	3364	196	204					1830	192	384

* Maximum diameter of pump with one motor cable.

** Maximum diameter of pump with two motor cables.

The pump types above are also available in N- and R-versions. See page 5.

Other types of connection are possible by means of connecting pieces. See page 100.

GRUNDFOS DYKPUMPER
SP125

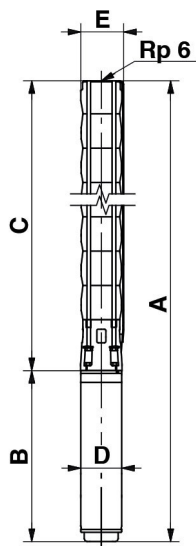
Type	Motor		Ydelse m ³ /t										Varenr.	Enhedspris kr.
	HK	KW	80	90	100	110	120	130	140	150	160			
			Løftehøjde m.v.s.											
SP125-1-A	10,0	7,5	17	16	15	14	13	12	10			38 8347 311	70.500,00	
SP125-1	15,0	11,0	24	23	22	21	20	18	17	15	10	38 8347 310	78.550,00	
SP125-2-AA	17,5	13,0	34	33	31	29	26	23	19	15	10	38 8347 322	83.450,00	
SP125-2-A	25,0	18,5	42	40	38	36	34	31	27	23	18	38 8347 321	94.295,00	
SP125-2	30,0	22,0	49	47	45	43	41	38	35	31	26	38 8347 320	97.385,00	
SP125-3-AA	30,0	22,0	58	56	53	50	46	41	36	29	22	38 8347 332	100.735,00	
SP125-3-A	35,0	26,0	66	64	61	58	54	49	44	38	31	38 8347 331	109.375,00	
SP125-3	40,0	30,0	74	71	68	65	62	58	53	46	40	38 8347 330	115.185,00	
SP125-4	50,0	37,0	100	96	93	89	84	79	73	65	55	38 8347 340	179.970,00	
SP125-5-A	60,0	45,0	118	114	109	104	98	91	83	72	62	38 8347 351	194.995,00	



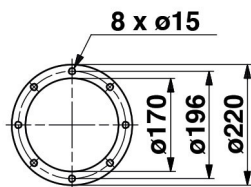
TEKNISKE DATA

SP125

Dimensions and weights



TM00 8760 3596



Pump with Grundfos flange

TM00 7324 1798

Pump type	Motor		Dimensions [mm]								Net weight [kg]		
	Type	Power [kW]	Rp 6 connection				6" Grundfos flange						
			A	C	E*	E**	A	C	E*	E**		B	D
Three-phase, 3 x 230 V / 3 x 400 V													
SP 125-1-A	MS 6000	7.5	1225	651	211	218	1225	651	222	226	574	139.5	70
SP 125-1	MS 6000	11	1285	651	211	218	1285	651	222	226	634	139.5	79
SP 125-2-AA	MS 6000	13	1471	807	211	218	1471	807	222	226	664	139.5	88
SP 125-2-A	MS 6000	18.5	1561	807	211	218	1561	807	222	226	754	139.5	97
SP 125-2	MS 6000	22	1621	807	211	218	1621	807	222	226	814	139.5	103
SP 125-3-AA	MS 6000	22	1777	963	211	218	1777	963	222	226	814	139.5	109
SP 125-3-A	MS 6000	26	1837	963	211	218	1837	963	222	226	874	139.5	115
SP 125-3	MS 6000	30	1907	963	211	218	1907	963	222	226	944	139.5	123
SP 125-4-AA	MMS 6	37	2431	1119	211	218	2431	1119	222	226	1312	143	171
SP 125-4-A	MMS 6	37	2431	1119	211	218	2431	1119	222	226	1312	143	171
SP 125-4	MMS 6	37	2431	1119	211	218	2431	1119	222	226	1312	143	171
SP 125-5-AA	MMS 8000	45	2545	1275	213	218	2545	1275	223	226	1270	192	236
SP 125-5-A	MMS 8000	45	2545	1275	213	218	2545	1275	223	226	1270	192	236
SP 125-5	MMS 8000	55	2625	1275	213	218	2625	1245	223	226	1350	192	251
SP 125-6-AA	MMS 8000	55	2781	1431	213	218	2781	1431	223	226	1350	192	257
SP 125-6-A	MMS 8000	55	2781	1431	213	218	2781	1431	223	226	1350	192	257
SP 125-6	MMS 8000	63	2921	1431	218	227	2921	1431	229	232	1490	192	283
SP 125-7-AA	MMS 8000	63	3077	1587	218	227	3077	1587	229	232	1490	192	289
SP 125-7-A	MMS 8000	63	3077	1587	218	227	3077	1587	229	232	1490	192	289
SP 125-7	MMS 8000	75	3177	1587	218	227	3177	1587	229	232	1590	192	308
SP 125-8-AA	MMS 8000	75	3333	1743	218	227					1590	192	314
SP 125-8-A	MMS 8000	75	3333	1743	218	227					1590	192	314
SP 125-8	MMS 8000	75	3333	1743	218	227					1590	192	314
SP 125-9-AA	MMS 8000	92	3729	1899	218	227					1830	192	366
SP 125-9-A	MMS 8000	92	3729	1899	218	227					1830	192	366
SP 125-9	MMS 8000	92	3729	1899	218	227					1830	192	366
SP 125-10-AA	MMS 8000	92	3885	2055	218	227					1830	192	372
SP 125-10-A	MMS 8000	92	3885	2055	218	227					1830	192	372
SP 125-10	MMS 8000	92	3885	2055	218	227					1830	192	372

* Maximum diameter of pump with one motor cable.

** Maximum diameter of pump with two motor cables.

The pump types above are also available in N- and R-versions. See page 5.

Other types of connection are possible by means of connecting pieces. See page 100.

GRUNDFOS DYKPUMPER

SP160

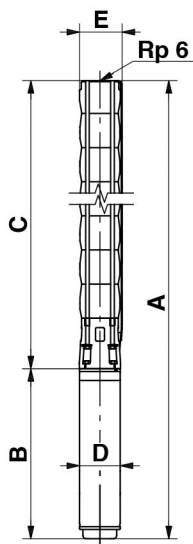
Type	Motor		Ydelse m ³ /t								Varenr.	Enhedspris kr.
	HK	KW	60	80	100	120	140	160	180	200		
			Løftehøjde m.v.s.									
SP160-1-A	13,0	9,2	20	19	17	16	15	13	9	5	38 8348 311	74.165,00
SP160-1	17,0	13,0	30	27	25	23	21	20	17	14	38 8348 310	80.125,00
SP160-2-AA	25,0	18,5	41	38	36	33	30	26	20	11	38 8348 322	91.085,00
SP160-2-A	30,0	22,0	51	47	43	40	37	33	27	20	38 8348 321	97.300,00
SP160-2	35,0	26,0	59	54	50	46	43	40	35	28	38 8348 320	104.015,00
SP160-4-A	60,0	45,0	111	103	95	89	83	76	66	51	38 8348 341	189.190,00
SP160-5-A	75,0	55,0	140	130	121	113	105	96	83	66	38 8348 351	219.050,00



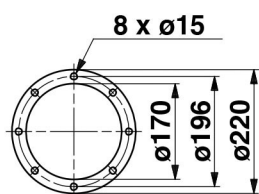
TEKNISKE DATA

SP160

Dimensions and weights



TM00 8760 3596



Pump with Grundfos flange

TM00 7324 1798

Pump type	Motor		Dimensions [mm]								Net weight [kg]		
	Type	Power [kW]	Rp 6 connection				6" Grundfos flange						
			A	C	E*	E**	A	C	E*	E**		B	D
Three-phase, 3 x 230 V / 3 x 400 V													
SP 160-1-A	MS 6000	9.2	1255	651	211	218	1255	651	222	226	604	139.5	76
SP 160-1	MS 6000	13	1315	651	211	218	1315	651	222	226	664	139.5	82
SP 160-2-AA	MS 6000	18.5	1561	807	211	218	1561	807	222	226	754	139.5	97
SP 160-2-A	MS 6000	22	1621	807	211	218	1621	807	222	226	814	139.5	103
SP 160-2	MS 6000	26	1681	807	211	218	1681	807	222	226	874	139.5	109
SP 160-3-AA	MS 6000	30	1907	963	211	218	1907	963	222	226	944	139.5	123
SP 160-3-A	MMS 6	37	2275	963	211	218	2275	963	222	226	1312	143	165
SP 160-3	MMS 6	37	2275	963	211	218	2275	963	222	226	1312	143	165
SP 160-4-AA	MMS 8000	45	2389	1119	218	227	2389	1119	229	232	1270	192	230
SP 160-4-A	MMS 8000	45	2389	1119	218	227	2389	1119	229	232	1270	192	230
SP 160-4	MMS 8000	55	2469	1119	218	227	2469	1119	229	232	1350	192	245
SP 160-5-AA	MMS 8000	55	2625	1275	218	227	2625	1275	229	232	1350	192	251
SP 160-5-A	MMS 8000	55	2625	1275	218	227	2625	1275	229	232	1350	192	251
SP 160-5	MMS 8000	63	2765	1275	218	227	2765	1275	229	232	1490	192	277
SP 160-6-AA	MMS 8000	63	2921	1431	218	227	2921	1431	229	232	1490	192	283
SP 160-6-A	MMS 8000	75	3021	1431	218	227	3021	1431	229	232	1590	192	302
SP 160-6	MMS 8000	75	3021	1431	218	227	3021	1431	229	232	1590	192	302
SP 160-7-AA	MMS 8000	75	3177	1587	218	227					1590	192	302
SP 160-7-A	MMS 8000	92	3417	1587	218	227					1830	192	354
SP 160-7	MMS 8000	92	3417	1587	218	227					1830	192	354
SP 160-8-AA	MMS 8000	92	3573	1743	218	227					1830	192	360
SP 160-8-A	MMS 8000	92	3573	1743	218	227					1830	192	360
SP 160-8	MMS 8000	92	3573	1743	218	227					1830	192	360
SP 160-9-AA	MMS 8000	110	3959	1899	218	227					2060	192	416
SP 160-9-A	MMS 8000	110	3959	1899	218	227					2060	192	416
SP 160-9	MMS 8000	110	3959	1899	218	227					2060	192	416

* Maximum diameter of pump with one motor cable.




** Maximum diameter of pump with two motor cables.

The pump types above are also available in N-versions. See page 5.

SP 160-1-A to SP 160-14 are also available in R-versions. See page 5.

Other types of connection are possible by means of connecting pieces. See page 100.

GRUNDFOS DYKMOTORER OG KABLER

	DYKMOTORER			Varenr.	Enhedspris kr.
	Motor		Uden motorkabel		
	HK	KW	Type		
	0,50	0,37	MS402B	50 1054 002	4.600,00
	0,75	0,55	MS402B	50 1054 003	4.620,00
	1,0	0,75	MS402B	50 1054 004	5.515,00
	1,5	1,1	MS402B	50 1054 005	5.845,00
	2,0	1,5	MS402B	50 1054 006	6.455,00
	3,0	2,2	MS402B	50 1054 007	7.780,00
	3,0	2,2	MS4000	50 1054 507	11.216,00
	4,0	3,0	MS4000	50 1054 508	10.915,00
	5,5	4,0	MS4000	50 1054 510	12.525,00
	7,5	5,5	MS4000	50 1054 511	14.255,00
	7,5	5,5	MS6000	50 1055 511	16.565,00
	10,0	7,5	MS6000	50 1055 512	17.690,00
	12,5	9,2	MS6000	50 1055 513	19.025,00
	15,0	11,0	MS6000	50 1055 514	19.515,00
	17,5	13,0	MS6000	50 1055 515	20.530,00
	20,0	15,0	MS6000	50 1055 516	21.735,00
	25,0	18,5	MS6000	50 1055 517	24.560,00
	30,0	22,0	MS6000	50 1055 518	25.540,00
	35,0	26,0	MS6000	50 1055 519	29.185,00
	40,0	30,0	MS6000	50 1055 520	31.495,00
50,0	37,0	MMS6000	50 1058 666	51.545,00	
	MOTORKABEL				
	Motor	Størrelse	Stik		
	MS402B	0,37 - 2,2 KW	Flad x Rund	50 1056 712	888,00
	MS4000	2,20 - 7,5 KW	Rund x Rund	50 1056 945	926,00
	MS6000	5,50-15,0 KW	Flad x Rå	50 1056 925	1.620,00
MS6000	18,50-37,0 KW	Flad x Rå	50 1056 930	2.120,00	
	KABELKIT MED STIK				
	Inkl. Kabelbinder med knapper.				
	Kabelkit m/stik 4X1,5 15 meter.			38 8396 015	1.930,00
	Kabelkit m/stik 4X1,5 20 meter.			38 8396 020	2.205,00
	Kabelkit m/stik 4X1,5 25 meter.			38 8396 025	2.480,00
	Kabelkit m/stik 4X1,5 30 meter.			38 8396 030	2.755,00
	Kabelkit m/stik 4X1,5 40 meter.			38 8396 040	3.770,00
	Kabelkit m/stik 4X1,5 50 meter.			38 8396 050	4.320,00
Kabelkit m/stik 4X1,5 60 meter.			38 8396 060	4.870,00	

TEKNISKE DATA

GRUNDFOS DYKMOTORER




4", 6", 8" Grundfos standard dykmotor, 3x400V / 50Hz

Spændings tolerance +6 / -10% (Grundlag 3x400v)

Elektriske data

Type	Str.	Kw=P2 P2	Fuldlaststrøm Amp			Startstrøm faktor (DOL) Amp x faktor	Omdr. rpm v/ 400V	Vægt kg
			Volt 380	Volt 400	Volt 415			
MS 402	4"	0.37	1.5	1.4	1.3	3,7	2860	5.5
MS 402	4"	0.55	2.35	2.2	2.0	3,5	2860	6.3
MS 402	4"	0.75	2.4	2.3	2.15	4,7	2860	7.7
MS 402	4"	1.1	3.65	3.4	3.25	4.6	2860	13.0
MS 402	4"	1.5	4.4	4.2	4.1	5.0	2860	10.5
MS 402	4"	2.2	5.7	5.5	5.5	4.7	2860	11.9
MS 4000	4"	2.2	6.3	6.0	5.75	4.5	2860	16.0
MS 4000	4"	3.0	8.1	7.85	7.7	4.5	2865	17.0
MS 4000	4"	4.0	10.2	9.75	9.7	4.8	2880	21.0
MS 4000	4"	5.5	14.6	14.4	14.2	4.9	2880	26.0
MS 4000	4"	7.5	19.6	18.8	18.4	4.5	2850	37.0
MS 6000	6"	5.5	13.6	13.4	13.2	4,4	2880	35.5
MS 6000	6"	7.5	17.8	17.2	17.0	4,3	2870	37.0
MS 6000	6"	9.2	21.8	21.2	21.0	4,6	2870	42.5
MS 6000	6"	11	26.0	25.0	24.8	4,7	2870	45.5
MS 6000	6"	13	30.0	29.0	29.0	4.6	2870	49.0
MS 6000	6"	15	34.5	33.5	33.5	5.0	2870	52.5
MS 6000	6"	18.5	42.0	41.0	41.0	5,1	2880	58.0
MS 6000	6"	22	49.5	47.5	46.5	5.0	2870	64.0
MS 6000	6"	26	58.0	55.5	55.0	4.9	2870	69.5
MS 6000	6"	30	66.5	64.0	63.0	4.9	2870	77.5
MMS 6000	6"	37	83.0	80.0	79.0	5.8	2860	125
MMS 8000	8"	45	96.5	96.0	95.5	6.3	2910	177

ANDRE DYKMOTORER OG KABLER

	FRANKLIN DYKMOTORER			Varenr.	Enhedspris kr.		
	Motor		Uden motorkabel				
	HK	KW	Type				
	7,5	5,5	6" Standard	50 1062 511			
	10,0	7,5	6" Standard	50 1062 512			
	12,5	9,3	6" Standard	50 1062 513			
	15,0	11,0	6" Standard	50 1062 514			
	20,0	15,0	6" Standard	50 1062 516			
	25,0	18,5	6" Standard	50 1062 517			
	30,0	22,0	6" Standard	50 1062 518			
	40,0	30,0	6" Standard	50 1062 520			
	50,0	37,0	6" Standard	50 1062 521			
	FRANKLIN MOTORKABEL						
	Motor	Størrelse	Stik				
	4"	4 x 1,5 kvadr.	Rund x Rå	50 1063 597			
	6"	5,5 - 30,0 HK	Rund x Rå	50 1063 704			
	6"	40,0 - 60,0 HK	Rund x Rå	50 1063 817	-		
	TESLA 4" DYKMOTORER						
	Motor		MED motorkabel				
	HK	KW	Type				
	0,50	0,37	3x400v			50 1066 000	3.095,00
	0,75	0,55	3x400v			50 1066 005	3.265,00
	1,0	0,75	3x400v			50 1066 010	2.816,00
	1,5	1,1	1x230v			50 1066 115	3.840,00
	1,5	1,1	3x400v			50 1066 015	3.137,00
	2,0	1,5	3x400v			50 1066 020	3.586,00
	3,0	2,2	3x400v			50 1066 030	5.460,00
	4,0	3,0	3x400v			50 1066 040	7.460,00
5,5	4,0	3x400v	50 1066 055	7.313,00			
	Kabelkit	20 Mtr 4x1,5	50 1066 099	1.280,00			


TEKNISKE DATA


ANDRE DYKMOTORER


6" dykmotor, diameter 137,7 mm 3~/400V / 50 Hz.									
P _N (kW)	n _N (min-1)	I _N (A)	I _A (A)	η (%)	COS (%)	T _N (Nm)	T _A (Nm)	L (mm)	M (kg)
4,0	2860	9,3	43	78,0	0,82	12,3	20,2	581,2	37,5
5,5	2870	12,5	64	79,0	0,82	18,6	35,0	614,4	41,1
7,5	2860	16,0	83	79,0	0,86	25,0	47,7	646,2	45,2
9,3	2870	20,7	112	81,0	0,80	31,1	68,2	678,7	47,5
11,0	2860	23,3	129	81,0	0,85	37,3	78,3	711,2	50,9
15,0	2860	31,3	169	81,0	0,85	49,9	107,3	776,2	56,7
18,5	2860	38,5	231	82,0	0,85	62,4	154,6	841,5	63,3
22,0	2860	45,3	268	83,0	0,86	74,7	177,6	906,5	69,3
30,0	2860	63,5	393	83,0	0,84	99,4	263,1	1036,6	83,9
37,0	2875	77,9	411	81,0	0,85	123,6	280,8	1421,4	138
45,0	2875	93,2	509	82,0	0,84	148,4	332,3	1573,8	152


TESLA 4" DYKMOTORER						
P _N (kW)	n _N (min-1)	I _N (A)	L (mm)	M (kg)	Faser	
0,37	2820	1,4	216	6,2	3	
0,55	2830	1,9	236	131	3	
0,75	2830	2,4	266	145	3	
1,1	2830	8,6	331	175	1*	
1,1	2830	3,4	286	213	3	
1,5	2830	4,4	348	291	3	
2,2	2820	5,9	393	334	3	
3,0	2840	8,3	544	380	3	
4,0	2850	10	614	429	3	

KABEL





Max. kabellængde i mtr - 3x400v – 50HZ										
Motor			Kabeldimension i mm2							
Type	HK	KW	1,5	2,5	4,0	6,0	10	16	25	
	4"	0,50	0,37	384	637					
	4"	0,75	0,55	244	405	644				
	4"	1,0	0,75	208	345	550	818			
	4"	1,5	1,1	141	234	372	554			
	4"	2,0	1,5	109	182	289	431	709		
	4"	3,0	2,2	77	127	203	302	499	785	
	4"	4,0	3,0	57	94	150	223	368	578	
	4"	5,5	4,0	45	75	119	177	292	460	
	4"	7,5	5,5	33	54	87	129	213	336	
	6"	10,0	7,5	24	41	65	97	159	251	
	6"	12,5	9,2		32	52	77	127	200	
	6"	15,0	11,0		28	44	66	109	172	
	6"	17,5	13,0			38	56	92	145	
	6"	20,0	15,0				49	81	127	
	6"	25,0	18,5				40	66	104	
	6"	30,0	22,0					56	88	
	6"	35,0	26,0					47	74	
	6"	40,0	30,0						64	100
6"	50,0	37,0						56	81	
8"	60,0	45,0							68	

	GUMMIKABEL, 4 - LEDER		Varenr.	Enhedspris kr.
	Størrelse:	Farve: Kvalitet:		
	1,5 mm2	Blå Drikkevandsgodk.	38 8339 401	68,00
	2,5 mm2	Blå Drikkevandsgodk.	38 8339 402	102,00
	1,5 mm2	Sort H07-RNF	38 8339 401-2	34,50
	2,5 mm2	Sort H07-RNF	38 8339 402-2	55,00
	4,0 mm2	Sort H07-RNF	38 8339 404	61,00
	6,0 mm2	Sort H07-RNF	38 8339 406	119,00
	10,0 mm2	Sort H07-RNF	38 8339 410	192,00
16,0 mm2	Sort H07-RNF	38 8339 416	259,00	
	Hulbånd m/ knapper, 7,5 m	50 1990 075	556,00	

	KABELSAMLESÆT 4" MOT.			
	Støbesæt m/originalt GRUNDFOS stik			
	Størrelse:			
	4 x 1,5 - 2,5 mm2	umonteret	38 8398 402	769,00
	4 x 4,0 - 6,0 mm2	umonteret	38 8398 406	1.717,00
4 x 1,5 - 2,5 mm2	monteret	38 8398 432	1.330,00	
4 x 4,0 - 6,0 mm2	monteret	38 8398 436	2.200,00	

	KABELSAMLESÆT 6" MOT.			
	Krympesæt			
	Størrelse:			
	4 x 1,5 - 6,0 mm2	umonteret	38 8398 604	342,00
	4 x 10,0 - 16,0 mm2	umonteret	38 8398 610	499,00
	4 x 25,0 mm2	umonteret	38 8398 625	505,00
	4 x 1,5 - 6,0 mm2	monteret	38 8398 634	1.013,00
4 x 10,0 - 16,0 mm2	monteret	38 8398 640	1.175,00	
4 x 25,0 mm2	monteret	38 8398 655	1.182,00	

GRUNDFOS FREKV.OMF./MOTORBESK.

	FREKV.OMFORM. EKSTERN	Varenr.	Enhedspris kr.
	Type: CUE 3x380/500v, vægmont. IP55 Enkel opstartsguide for hurtig og sikker install.		
	KW: AMP:		
	2,2 5,6	50 1067 039	16.375,00
	3,0 7,2	50 1067 709	18.020,00
	4,0 10,0	50 1067 710	20.180,00
	5,5 13,0	50 1067 711	23.325,00
	7,5 16,0	50 1067 722	27.565,00
	11,0 24,0	50 1067 723	31.475,00
	15,0 32,0	50 1067 724	36.190,00
	18,5 37,5	50 1067 725	40.320,00
	22,0 44,0	50 1067 726	44.490,00
	30,0 61,0	50 1067 727	53.955,00
	37,0 73,0	50 1067 728	59.475,00
	45,0 90,0	50 1068 121	65.800,00
	55,0 106,0	50 1068 123	81.885,00
Husk ved dimensionering af dykpumper er det AMP der bestemmer størrelse af frekvensomf.			
	FILTRE For bedre motorbeskyttelse ved dykpumpedrift Filtertype:		
	dU/dt 44A, IP54	50 1067 962	15.235,00
	dU/dt 90A, IP54	50 1067 963	22.276,00
	dU/dt 106A, IP54	50 1067 964	27.835,00
	Sinus 8A, IP20	50 1067 973	5.300,00
	Sinus 10A, IP20	50 1067 974	6.210,00
	Sinus 17A, IP20	50 1067 976	8.750,00
	Sinus 24A, IP20	50 1067 977	11.350,00
	Sinus 38A, IP20	50 1067 978	17.860,00
		TRYKTRANSMITTER Tryktransmitterkit ekskl. kabel Type: Tryk:	
MBS1700 0 – 6 bar		50 1068 454	1.558,00
MBS1700 0 – 10 bar		50 1068 455	1.558,00
MBS1700 0 – 16 bar		50 1068 456	1.558,00
	KONTROL/KOMMUNIKATION Overvåger isolationsmodstand før opstart, Temp, belastning, spænding, fasefølge, mgl fase, Eff.forbr./faktor, Driftstimer, Starter m.m.		
	MP 204 Motorbeskyttelse	38 0678 400	9.120,00
	Universaldongle MI301 m/Bluetooth	38 0679 301	2.982,00
Kommunikation/overvågning via Grundfos Go. E-pumper, CU300, CU301 og MP204.			

GRUNDFOS IN-LINE PUMPER

TP SERIE 300

Type	Motor		400V Amp	Ydelse m ³ /t						Varenr.	Enhedspris kr.
	HK	KW		40	60	80	100	120	140		
	Løftehøjde m.v.s.										
TP80-330/2 *	15,0	11,0	20	31	31	30	27	23		38 2764 331	36.885,00
TP80-400/2 *	20,0	15,0	27	39	39	38	36	33		38 2764 401	37.690,00
TP80-520/2 *	25,0	18,5	33	50	49	47	44	41		38 2764 521	46.830,00
TP80-570/2 *	30,0	22,0	39	56	55	54	51	47	43	38 2764 571	59.845,00
TP80-700/2 *	40,0	30,0	53	67	67	66	64	61	57	38 2764 701	68.545,00

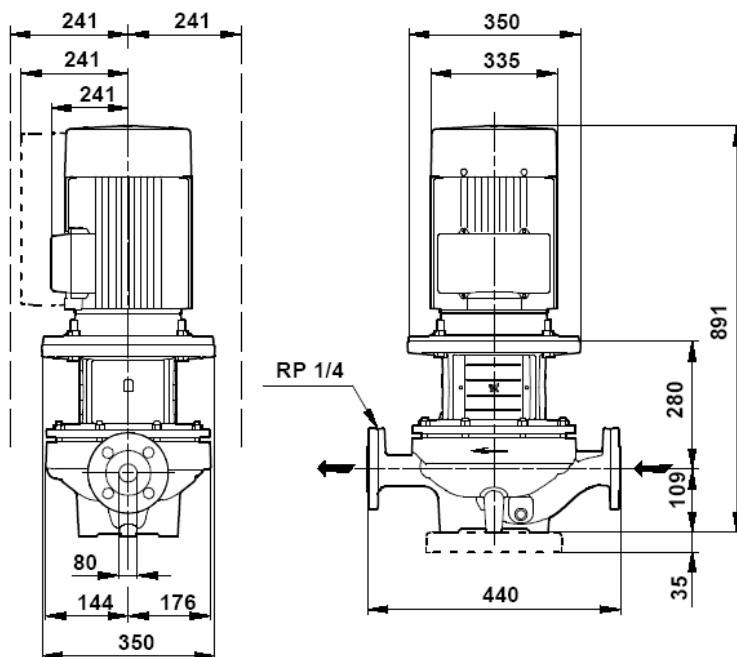
DN80/PN16 flangetilslutning



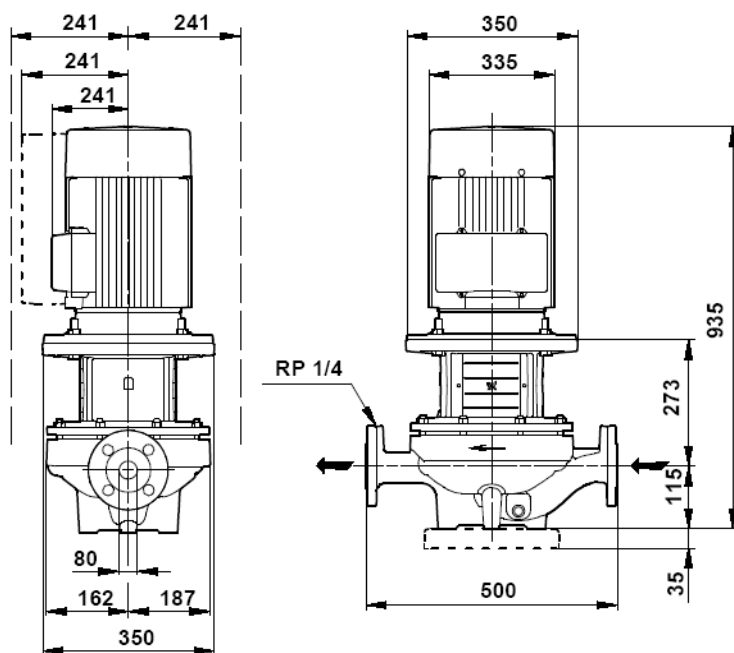
TEKNISKE DATA

TP SERIE 300

TP80-330/2 og TP80-400/2



TP80-520/2, TP570/2 og TP80-700/2



GRUNDFOS DYKPUMPER 230V-50HZ

SQ2E

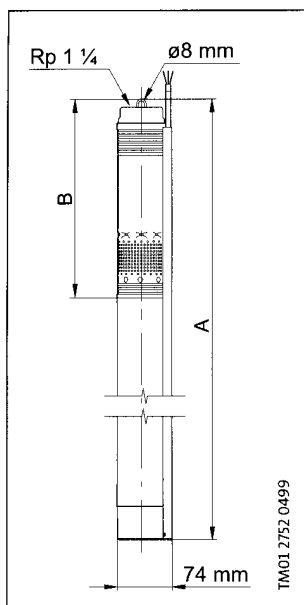
Type	Pumpe Effekt KW	Motor Effekt KW	Ydelse m ³ /t							Varenr.	Enhedspris, kr.	
			0,5	1,0	1,5	2,0	2,5	3,0				
			Løftehøjde m.v.s.									
SQE2-35	0,45	0,70		43	42	39	35	29	19		38 8442 435	10.865,00
SQE2-55	0,65	0,70		66	63	60	54	45	32		38 8442 455	11.520,00
SQE2-70	0,87	1,15		87	84	79	72	60	43		38 8442 470	12.750,00
SQE2-85	0,98	1,15		108	105	99	89	74	54		38 8442 485	14.260,00
SQE2-100	1,30	1,68		131	128	120	109	91	67		38 8442 500	17.695,00
SQE2-115	1,50	1,85		154	150	142	129	108	79		38 8442 515	18.310,00



TEKNISKE DATA

SQ2E

Mål og vægt



Pumpetype	Trinantal	Motor		Mål [mm]		Netto- vægt [kg]*	Shipping- volumen [m ³]*
		Type	Afgiven effekt (P ₂) [kW]	A	B		
SQ 2 - 35 (-N) SQE 2 - 35	2	MS 3 (-NE) MSE 3	0,1-0,63	745	265	4,7	0,0092
SQ 2 - 55 (-N) SQE 2 - 55	3	MS 3 (-NE) MSE 3	0,7-1,05	745	265	5,2	0,0092
SQ 2 - 70 (-N) SQE 2 - 70	4	MS 3 (-NE) MSE 3	0,7-1,05	772	292	5,4	0,0094
SQ 2 - 85 (-N) SQE 2 - 85	5	MS 3 (-NE) MSE 3	1,1-1,73	862	346	6,2	0,0104
SQ 2 - 100 (-N) SQE 2 - 100	6	MS 3 (-NE) MSE 3	1,1-1,73	862	346	6,2	0,0104
SQ 2 - 115 (-N) SQE 2 - 115	7	MS 3 (-NE) MSE 3	1,1-1,73	889	373	6,3	0,0107

* Inklusive pumpe, motor, 1,5 m kabel og kabelbeskytter.

Elektriske data

1 x 200-240 V, 50/60 Hz

Pumpetype	Motortype	Optagen effekt, motor (P ₁) [kW]	Afgiven effekt, motor (P ₂) [kW]	Krævet effekt, pumpe [kW]	Fuldlaststrøm I _{1/1} [A]		Motorvirkningsgrad ved fuld belastning (η) [%]
					230 V	200 V	
SQ 2 - 35 (-N) SQE 2 - 35	MS 3 (-NE) MSE 3	0,72	0,1-0,63	0,45	3,2	3,7	70
SQ 2 - 55 (-N) SQE 2 - 55	MS 3 (-NE) MSE 3	0,91	0,7-1,05	0,65	4,1	4,7	70
SQ 2 - 70 (-N) SQE 2 - 70	MS 3 (-NE) MSE 3	1,20	0,7-1,05	0,87	5,4	6,2	73
SQ 2 - 85 (-N) SQE 2 - 85	MS 3 (-NE) MSE 3	1,38	1,1-1,73	0,98	6,8	7,8	73
SQ 2 - 100 (-N) SQE 2 - 100	MS 3 (-NE) MSE 3	1,80	1,1-1,73	1,30	8,4	9,7	74
SQ 2 - 115 (-N) SQE 2 - 115	MS 3 (-NE) MSE 3	2,11	1,1-1,73	1,50	9,9	11,1	74

GRUNDFOS DYKPUMPER 230V-50HZ

SQE3

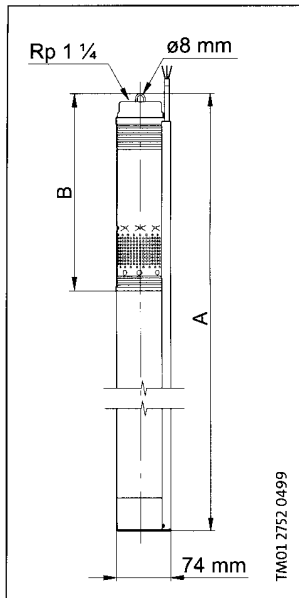
Type	Pumpe Effekt KW	Motor Effekt KW	Ydelse m3/t								Varenr.	Enhedspris, kr.
			1,0	1,5	2,0	2,5	3,0	3,5	4,0	5,0		
			Løftehøjde m.v.s.									
SQE3-30	0,44	0,70		34	32	30	26	22			38 8443 430	10.415,00
SQE3-40	0,63	0,70		53	50	47	42	36			38 8443 440	11.035,00
SQE3-55	0,83	1,15		70	67	63	56	48			38 8443 455	12.750,00
SQE3-65	1,02	1,15		87	83	78	70	60			38 8443 465	14.260,00
SQE3-80	1,23	1,68		105	100	94	85	73			38 8443 480	17.695,00
SQE3-95	1,43	1,68		123	117	109	99	85			38 8443 495	18.310,00
SQE3-105	1,63	1,85		140	134	125	113	97			38 8443 505	18.925,00



TEKNISKE DATA

SQE3

Mål og vægt



TMO1 2752 0499

Pumpetype	Trinantal	Motor		Mål [mm]		Nettovægt [kg]*	Shippingvolumen [m ³]*
		Type	Afgiven effekt (P ₂) [kW]	A	B		
SQ 3 - 30 (-N) SQE 3 - 30	2	MS 3 (-NE) MSE 3	0,1-0,63	745	265	4,8	0,0092
SQ 3 - 40 (-N) SQE 3 - 40	3	MS 3 (-NE) MSE 3	0,1-0,63	745	265	4,8	0,0092
SQ 3 - 55 (-N) SQE 3 - 55	4	MS 3 (-NE) MSE 3	0,7-1,05	772	292	5,4	0,0094
SQ 3 - 65 (-N) SQE 3 - 65	5	MS 3 (-NE) MSE 3	0,7-1,05	826	346	6,1	0,0100
SQ 3 - 80 (-N) SQE 3 - 80	6	MS 3 (-NE) MSE 3	1,1-1,73	862	346	6,3	0,0104
SQ 3 - 95 (-N) SQE 3 - 95	7	MS 3 (-NE) MSE 3	1,1-1,73	889	373	6,4	0,0107
SQ 3 - 105 (-N) SQE 3 - 105	8	MS 3 (-NE) MSE 3	1,1-1,73	943	427	6,5	0,0113

* Inklusive pumpe, motor, 1,5 m kabel og kabelbeskytter.

Elektriske data

1 x 200-240 V, 50/60 Hz

Pumpetype	Motortype	Optagen effekt, motor (P ₁) [kW]	Afgiven effekt, motor (P ₂) [kW]	Krævet effekt, pumpe [kW]	Fuldlaststrøm I _{1/1} [A]		Motorvirkningsgrad ved fuld belastning (η) [%]
					230 V	200 V	
SQ 3 - 30 (-N) SQE 3 - 30	MS 3 (-NE) MSE 3	0,72	0,1-0,63	0,44	3,2	3,7	70
SQ 3 - 40 (-N) SQE 3 - 40	MS 3 (-NE) MSE 3	0,88	0,1-0,63	0,63	4,0	4,6	70
SQ 3 - 55 (-N) SQE 3 - 55	MS 3 (-NE) MSE 3	1,14	0,7-1,05	0,83	5,1	5,9	73
SQ 3 - 65 (-N) SQE 3 - 65	MS 3 (-NE) MSE 3	1,40	0,7-1,05	1,02	6,2	7,1	73
SQ 3 - 80 (-N) SQE 3 - 80	MS 3 (-NE) MSE 3	1,70	1,1-1,73	1,23	7,9	9,1	74
SQ 3 - 95 (-N) SQE 3 - 95	MS 3 (-NE) MSE 3	1,98	1,1-1,73	1,43	9,2	10,6	74
SQ 3 - 105 (-N) SQE 3 - 105	MS 3 (-NE) MSE 3	2,28	1,1-1,73	1,63	10,6		74

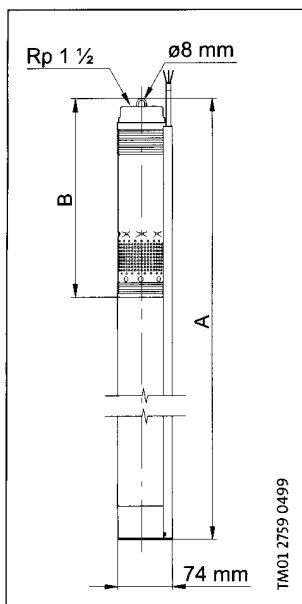
GRUNDFOS DYKPUMPER 230V-50HZ										SQE5		
Type	Pumpe Effekt KW	Motor Effekt KW	Ydelse m3/t							Varenr.	Enhedspris, kr.	
			2,0	2,5	3,0	3,5	4,0	5,0	6,0			7,0
Løftehøjde m.v.s.												
SQE5-15	0,26	0,70			15	14	13	11	7		38 8445 415	10.290,00
SQE5-25	0,54	0,70			31	29	28	24	18		38 8445 425	10.735,00
SQE5-35	0,80	1,15			46	44	42	36	28		38 8445 435	12.750,00
SQE5-50	1,06	1,68			62	59	56	49	38		38 8445 450	14.260,00
SQE5-60	1,33	1,68			77	74	70	61	48		38 8445 460	18.310,00
SQE5-70	1,60	1,85			93	89	85	73	58		38 8445 470	18.925,00



TEKNISKE DATA

SQE5

Mål og vægt




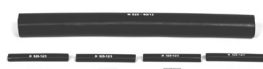


Pumpetype	Trinantal	Motor		Mål [mm]		Netto- vægt [kg]*	Shipping- volumen [m ³]*
		Type	Afgiven effekt (P ₂) [kW]	A	B		
SQ 5 - 15 (-N) SQE 5 - 15	1	MS 3 (-NE) MSE 3	0,1-0,63	745	265	4,7	0,0092
SQ 5 - 25 (-N) SQE 5 - 25	2	MS 3 (-NE) MSE 3	0,1-0,63	745	265	4,8	0,0092
SQ 5 - 35 (-N) SQE 5 - 35	3	MS 3 (-NE) MSE 3	0,7-1,05	826	346	5,5	0,0100
SQ 5 - 50 (-N) SQE 5 - 50	4	MS 3 (-NE) MSE 3	1,1-1,73	862	346	6,2	0,0104
SQ 5 - 60 (-N) SQE 5 - 60	5	MS 3 (-NE) MSE 3	1,1-1,73	943	427	6,4	0,0113
SQ 5 - 70 (-N) SQE 5 - 70	6	MS 3 (-NE) MSE 3	1,1-1,73	943	427	6,4	0,0113

* Inklusive pumpe, motor, 1,5 m kabel og kabelbeskytter.

Elektriske data

1 x 200-240 V, 50/60 Hz

Pumpetype	Motortype	Optagen effekt, motor (P ₁) [kW]	Afgiven effekt, motor (P ₂) [kW]	Krævet effekt, pumpe [kW]	Fuldlaststrøm I _{1/1} [A]		Motorvirkningsgrad ved fuld belastning (η) [%]
					230 V	200 V	
SQ 5 - 15 (-N) SQE 5 - 15	MS 3 (-NE) MSE 3	0,41	0,1-0,63	0,26	1,9	2,2	70
SQ 5 - 25 (-N) SQE 5 - 25	MS 3 (-NE) MSE 3	0,76	0,1-0,63	0,54	3,4	3,9	70
SQ 5 - 35 (-N) SQE 5 - 35	MS 3 (-NE) MSE 3	1,10	0,7-1,05	0,80	4,9	5,6	70
SQ 5 - 50 (-N) SQE 5 - 50	MS 3 (-NE) MSE 3	1,49	1,1-1,73	1,06	7,0	8,1	73
SQ 5 - 60 (-N) SQE 5 - 60	MS 3 (-NE) MSE 3	1,84	1,1-1,73	1,33	8,6	9,9	74
SQ 5 - 70 (-N) SQE 5 - 70	MS 3 (-NE) MSE 3	2,23	1,1-1,73	1,60	10,4	-	74

KABLER OG TILBEHØR								
	KABELDIMENSIONERINGER				Varenr.	Enhedspris kr.		
	Motor	Maximum længde (mtr.)						
		1,5 mm ²	2,5 mm ²	4 mm ²			6 mm ²	
	0,70	69	115					
	1,15	43	71	114				
	1,68	32	54	86			129	
1,85	30	50	80	120				
	GUMMIKABEL, 3-LEDER							
	Størrelse:							
	3 x 1,5 mm ²	Blå	Drikkevandsgodk.				38 8418 315	44,50
	3 x 1,5 mm ²	Sort	H07-RNF				38 8418 315-2	22,50
	3 x 2,5 mm ²	Sort	H07-RNF				38 8418 325	34,50
3 x 4,0 mm ²	Sort	H07-RNF		38 8418 340	49,75			
	KABELSAMLESÆT							
	Størrelse:							
	3 x 1,5mm ²	umonteret		38 8419 015			463,00	
	3 x 2,5mm ²	umonteret		38 8419 025			463,00	
	3 x 4,0mm ²	umonteret		38 8419 040			463,00	
	3 x 1,5mm ²	monteret		38 8419 315			878,00	
	3 x 2,5mm ²	monteret		38 8419 325			878,00	
3 x 4,0mm ²	monteret		38 8419 340	878,00				
	KABELKIT KOMPLET							
	Kabellængde:		Kabeldimension					
	1,5 m	3x1,5mm ²		38 8449 301			728,00	
	5 m	3x1,5mm ²		38 8449 305			1.150,00	
	10 m	3x1,5mm ²		38 8449 310			1.640,00	
	15 m	3x1,5mm ²		38 8449 315			2.050,00	
	20 m	3x1,5mm ²		38 8449 320			2.490,00	
	30 m	3x1,5mm ²		38 8449 330			3.335,00	
	40 m	3x1,5mm ²		38 8449 340			4.165,00	
	50 m	3x1,5mm ²		38 8449 350			5.025,00	
	60 m	3x1,5mm ²		38 8449 360			6.025,00	
	40 m	3x2,5mm ²		38 8449 440			6.245,00	
	50 m	3x2,5mm ²		38 8449 450			7.285,00	
	60 m	3x2,5mm ²		38 8449 460			8.325,00	
	80 m	3x2,5mm ²		38 8449 480			10.395,00	
		SQE KONSTANTTRYKSPAKKE						
Bestående af: CU301, Membranbeholder, Kugleventil, sensorsæt, manometer og kabelbinder.								
Komplet pakke – uden pumpe				38 8449 702	10.310,00			

GRUNDFOS CENTRIFUGALPUMER 1x230V CM 3 / 5 / 10

	Motor P ₂ (W)	Ydelse m ³ /t								Varenr.	Enhedspris, kr.
		0,5	1,0	1,5	2,0	2,5	3,0	3,5	4,0		
		Løftehøjde m.v.s.									
CM3-2	300	18	17	17	16	15	13	12	10	38 5108 020	3.780,00
CM3-3	500	27	26	25	24	22	20	18	15	38 5108 030	4.160,00
CM3-4	500	36	35	33	31	29	26	23	18	38 5108 040	4.485,00
CM3-5	500	44	42	40	38	35	31	27	21	38 5108 050	4.775,00
CM3-6	670	54	51	49	46	42	38	33	27	38 5108 060	5.335,00
CM3-7	900	63	61	58	55	52	47	41	33	38 5108 070	6.600,00
CM3-8	900	72	70	66	62	58	52	46	37	38 5108 080	7.740,00

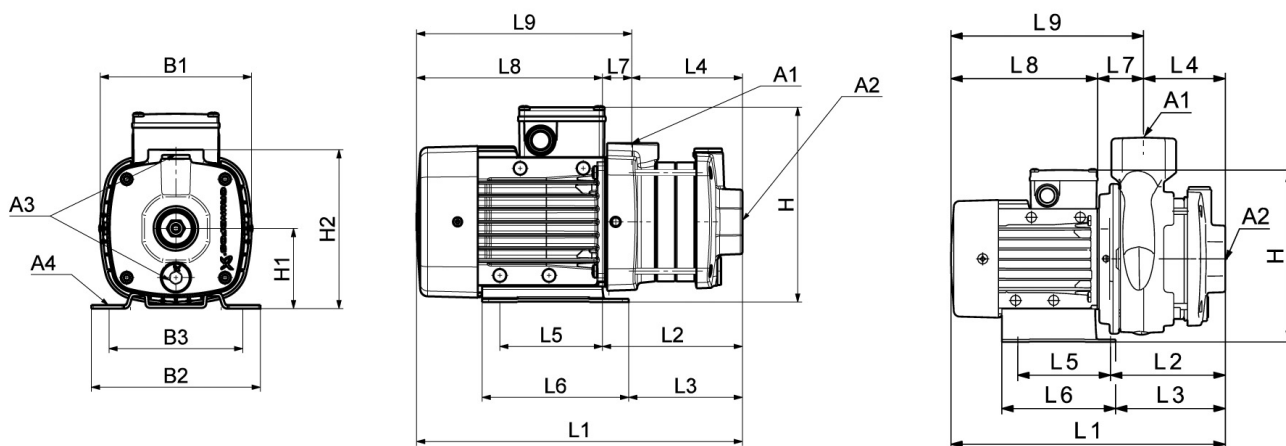
	Motor P ₂ (W)	Ydelse m ³ /t								Varenr.	Enhedspris, kr.
		1,0	2,0	3,0	4,0	5,0	6,0				
		Løftehøjde m.v.s.									
CM5-2	500	18	17	16	15	13	11			38 5111 020	4.095,00
CM5-3	500	26	25	24	22	19	15			38 5111 030	4.380,00
CM5-4	670	36	34	32	30	26	20			38 5111 040	4.775,00
CM5-5	900	45	43	41	38	34	26			38 5111 050	6.580,00
CM5-6	1300	56	53	51	47	41	32			38 5111 060	9.050,00
CM5-7	1300	65	62	58	53	46	35			38 5111 070	10.500,00
CM5-8	1700	72	70	67	62	55	42			38 5111 080	11.235,00

	Motor P ₂ (W)	Ydelse m ³ /t								Varenr.	Enhedspris, kr.
		2,0	4,0	6,0	8,0	10,0	12,0	14,0	16,0		
		Løftehøjde m.v.s.									
CM10-1	670	16	16	15	14	12	11	8		38 5115 010	6.265,00
CM10-2	1300	32	31	30	28	25	21	17		38 5115 020	9.130,00
CM10-3	1700	49	48	47	44	40	35	29		38 5115 030	12.505,00



TEKNISKE DATA

CM 3 / 5 / 10



CM 3 / 5 / 10

1 x 220-240 V, 50 Hz			Måleskema																	
Pumpe type	P2 (kW)	A1	A2	A3	A4	B1	B2	B3	H	H1	H2	L1	L2	L3	L4	L5	L6	L7	L8	L9
CM3-2	0,3	Rp 1	Rp 1	Rp 3/8	11	141	158	125	208	75	149	286	112	88	85	96	137	25	174	201
CM3-3	0,5	Rp 1	Rp 1	Rp 3/8	11	141	158	125	208	75	149	304	130	106	103	96	137	25	174	201
CM3-4	0,5	Rp 1	Rp 1	Rp 3/8	11	141	158	125	208	75	149	322	148	124	121	96	137	25	174	201
CM3-5	0,5	Rp 1	Rp 1	Rp 3/8	11	141	158	125	208	75	149	340	166	142	139	96	137	25	174	201
CM3-6	0,67	Rp 1	Rp 1	Rp 3/8	11	141	158	125	208	75	149	398	184	160	157	96	137	25	214	241
CM3-7	0,9	Rp 1	Rp 1	Rp 3/8	11	141	158	125	208	75	149	416	202	178	175	96	137	25	214	241
CM3-8	0,9	Rp 1	Rp 1	Rp 3/8	11	141	158	125	208	75	149	434	220	196	193	96	137	25	214	241
CM5-2	0,5	Rp 1	Rp 1/4	Rp 3/8	11	141	158	125	208	75	149	286	112	88	85	96	137	25	174	201
CM5-3	0,5	Rp 1	Rp 1/4	Rp 3/8	11	141	158	125	208	75	149	304	130	106	103	96	137	25	174	201
CM5-4	0,67	Rp 1	Rp 1/4	Rp 3/8	11	141	158	125	208	75	149	362	148	124	121	96	137	25	214	241
CM5-5	0,9	Rp 1	Rp 1/4	Rp 3/8	11	141	158	125	208	75	149	380	166	142	139	96	137	25	214	241
CM5-6	1,3	Rp 1	Rp 1/4	Rp 3/8	10	178	178	140	229	90	201	449	225	210	144	125	155	15	224	306
CM5-7	1,3	Rp 1	Rp 1/4	Rp 3/8	10	178	178	140	229	90	201	467	243	228	162	125	155	15	224	306
CM5-8	1,7	Rp 1	Rp 1/4	Rp 3/8	10	178	178	140	229	90	201	485	261	246	180	125	155	15	224	306
CM10-1	0,67	Rp 1 1/2	Rp 1 1/2	Rp 3/8	11	190	158	125	233	100	242	370	156	131	97	95	137	25	214	272
CM10-2	1,3	Rp 1 1/2	Rp 1 1/2	Rp 3/8	12	190	199	160	239	100	242	411	179	164	97	140	170	15	232	314
CM10-3	1,7	Rp 1 1/2	Rp 1 1/2	Rp 3/8	12	190	199	160	239	100	242	441	209	194	127	140	170	15	232	314

GRUNDFOS CENTRIFUGALPUMER 3x400V CM 3 / 5 / 10

	Motor P2/KW	Ydelse m3/t								Varenr.	Enhedspris, kr.
		0,5	1,0	1,5	2,0	2,5	3,0	3,5	4,0		
		Løftehøjde m.v.s.									
CM3-2	0,46	18	17	17	16	15	14	12	10	38 5109 020	3.650,00
CM3-3	0,46	28	27	26	24	22	20	18	15	38 5109 030	3.975,00
CM3-4	0,46	36	35	33	31	29	26	23	19	38 5109 040	4.295,00
CM3-5	0,60	46	44	42	40	37	34	30	24	38 5109 050	4.580,00
CM3-6	0,65	55	53	51	48	44	40	35	29	38 5109 060	5.075,00
CM3-7	1,10	66	64	62	59	56	51	45	38	38 5109 070	6.215,00
CM3-8	1,10	75	73	71	67	63	58	52	43	38 5109 080	7.355,00

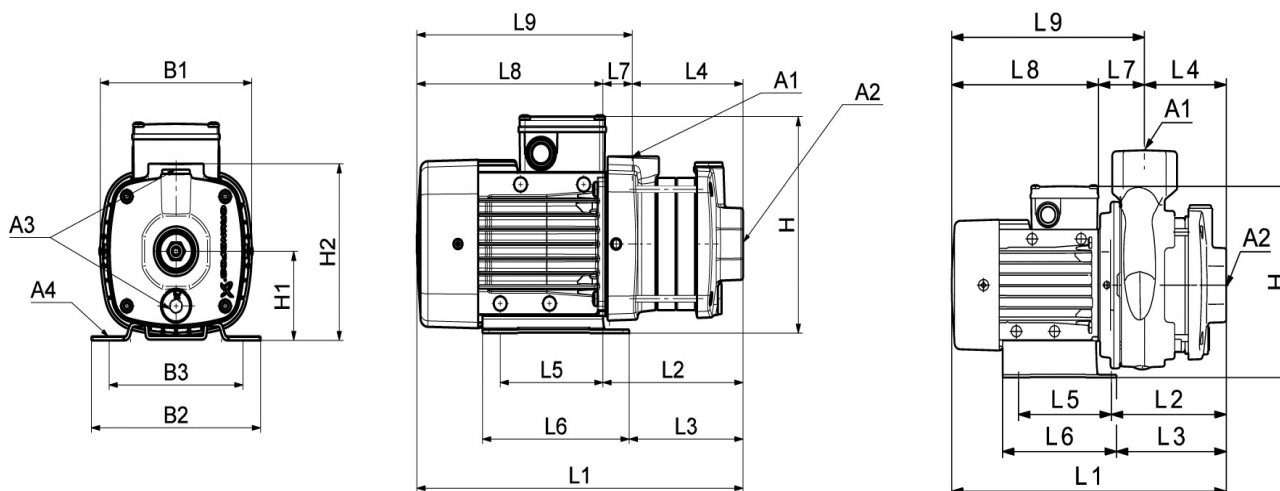
	Motor P2/KW	Ydelse m3/t								Varenr.	Enhedspris, kr.
		1,0	2,0	3,0	4,0	5,0	6,0				
		Løftehøjde m.v.s.									
CM5-2	0,46	18	17	16	15	13	11			38 5113 020	3.900,00
CM5-3	0,60	27	26	25	23	21	17			38 5113 030	4.185,00
CM5-4	1,10	38	37	36	34	31	26			38 5113 040	4.515,00
CM5-5	1,10	47	46	44	42	38	31			38 5113 050	6.185,00
CM5-6	1,50	57	56	54	51	46	38			38 5113 060	6.470,00
CM5-7	1,50	67	65	63	60	53	43			38 5113 070	7.930,00
CM5-8	2,20	77	75	73	70	63	51			38 5113 080	8.425,00

	Motor P2/KW	Ydelse m3/t								Varenr.	Enhedspris, kr.
		2,0	4,0	6,0	8,0	10,0	12,0	14,0	16,0		
		Løftehøjde m.v.s.									
CM10-1	0,60	16	16	15	15	13	11	9		38 5117 010	6.005,00
CM10-2	1,50	33	33	32	30	28	24	20		38 5117 020	6.555,00
CM10-3	2,20	49	49	48	45	41	36	30		38 5117 030	9.705,00
CM10-4	3,00	66	66	64	61	56	49	40		38 5117 040	12.780,00
CM10-5	3,00	82	81	79	74	68	59	50		38 5117 050	15.050,00



TEKNISKE DATA

CM 3 / 5 / 10



CM 3 / 5 / 10

3 x 400 V, 50 Hz		Måleskema																		
Pumpe type	P2 (kW)	A1	A2	A3	A4	B1	B2	B3	H	H1	H2	L1	L2	L3	L4	L5	L6	L7	L8	L9
CM3-2	0,46	Rp 1	Rp 1	Rp 3/8	11	141	158	125	184	75	149	286	112	88	85	96	137	25	174	201
CM3-3	0,46	Rp 1	Rp 1	Rp 3/8	11	141	158	125	184	75	149	304	130	106	103	96	137	25	174	201
CM3-4	0,46	Rp 1	Rp 1	Rp 3/8	11	141	158	125	184	75	149	322	148	124	121	96	137	25	174	201
CM3-5	0,60	Rp 1	Rp 1	Rp 3/8	11	141	158	125	184	75	149	340	166	142	139	96	137	25	174	201
CM3-6	0,65	Rp 1	Rp 1	Rp 3/8	11	141	158	125	184	75	149	358	184	160	157	96	137	25	174	201
CM3-7	1,10	Rp 1	Rp 1	Rp 3/8	11	141	158	125	184	75	149	436	202	178	175	96	137	25	234	261
CM3-8	1,10	Rp 1	Rp 1	Rp 3/8	11	141	158	125	184	75	149	454	220	196	193	96	137	25	234	261
CM5-2	0,46	Rp 1	Rp 1/4	Rp 3/8	11	141	158	125	184	75	149	286	112	88	85	96	137	25	174	201
CM5-3	0,60	Rp 1	Rp 1/4	Rp 3/8	11	141	158	125	184	75	149	304	130	106	103	96	137	25	174	201
CM5-4	1,10	Rp 1	Rp 1/4	Rp 3/8	11	141	158	125	184	75	149	382	148	124	121	96	137	25	234	261
CM5-5	1,10	Rp 1	Rp 1/4	Rp 3/8	11	141	158	125	184	75	149	400	166	142	139	96	137	25	234	261
CM5-6	1,50	Rp 1	Rp 1/4	Rp 3/8	10	178	178	140	200	90	201	449	225	210	144	125	155	15	224	306
CM5-7	1,50	Rp 1	Rp 1/4	Rp 3/8	10	178	178	140	200	90	201	467	243	228	162	125	155	15	224	306
CM5-8	2,20	Rp 1	Rp 1/4	Rp 3/8	10	178	178	140	200	90	201	525	261	246	180	125	155	15	264	346
CM10-1	0,60	Rp 1 1/2	Rp 1 1/2	Rp 3/8	11	190	158	125	209	100	242	330	156	131	97	95	137	25	174	232
CM10-2	1,50	Rp 1 1/2	Rp 1 1/2	Rp 3/8	12	190	199	160	210	100	242	411	179	164	97	140	170	15	232	314
CM10-3	2,20	Rp 1 1/2	Rp 1 1/2	Rp 3/8	12	190	199	160	210	100	242	481	209	194	127	140	170	15	272	354
CM10-4	3,00	Rp 1 1/2	Rp 1 1/2	Rp 3/8	12	198	199	160	220	100	242	527	254	239	157	140	170	15	273	370
CM10-5	3,00	Rp 1 1/2	Rp 1 1/2	Rp 3/8	12	198	199	160	220	100	242	527	254	239	157	140	170	15	273	370

GRUNDFOS CENTRIFUGALPUMER 3x400V CM 15 / 25

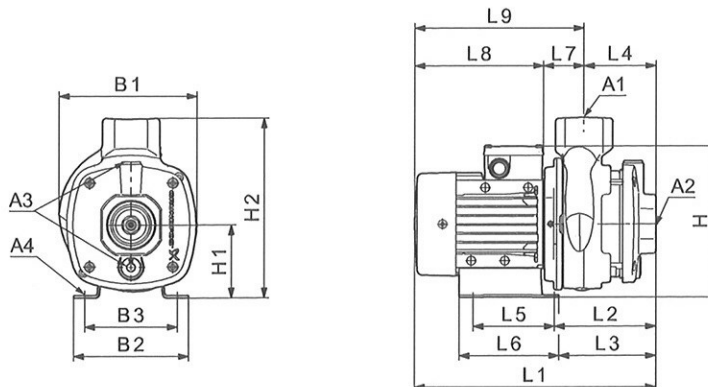
	Motor P ₂ (W)	Ydelse m ³ /t								Varenr.	Enhedspris, kr.
		8	10	12	14	16	18	20	22		
		Løftehøjde m.v.s.									
CM15-1	1,1	18	18	17	17	15	14	13	11	38 5121 010	12.220,00
CM15-2	2,2	36	35	34	33	31	29	26	22	38 5121 020	14.070,00
CM15-3	4,0	54	53	52	51	48	45	41	36	38 5121 030	16.275,00
CM15-4	5,5	72	71	69	67	64	60	54	48	38 5121 040	17.095,00

	Motor P ₂ (W)	Ydelse m ³ /t								Varenr.	Enhedspris, kr.
		10	14	18	22	26	30				
		Løftehøjde m.v.s.									
CM25-1	2,2	19	19	18	17	15	12			38 5125 010	13.140,00
CM25-2	4,0	38	37	36	34	30	26			38 5125 020	16.630,00
CM25-3	5,5	55	55	54	51	46	40			38 5125 030	20.515,00
CM25-4	7,5	73	73	72	68	61	52			38 5125 040	24.965,00



TEKNISKE DATA

CM 15 / 25



TMC4 6111 4909

Dimensions

3 x 220-240/380-415 V, 50 Hz (supply voltage F)

Pump type	Frame size	P ₂ [kW]	Dimensions [mm]																		
			A1	A2	A3	A4	B1	B2	B3	H	H1	H2	L1	L2	L3	L4	L5	L6	L7	L8	L9
CM15-1	80	1.2	2"	2"	3/8"	10.2	190	158	125	209	100	245	389	155	131	97	96	137	58	234	292
CM15-2	90	2.2	2"	2"	3/8"	10.2	190	199	160	210	100	245	461	190	175	97	140	170	93	272	364
CM15-3	100	4.0	2"	2"	3/8"	12.0	198	199	160	220	100	245	507	235	220	127	140	170	108	272	380
CM15-4	132	5.8	2"	2"	3/8"	12.0	220	228	190	246	112	257	590	288	272	157	140	172	131	302	433

3 x 220-240/380-415 V, 50 Hz (supply voltage F)

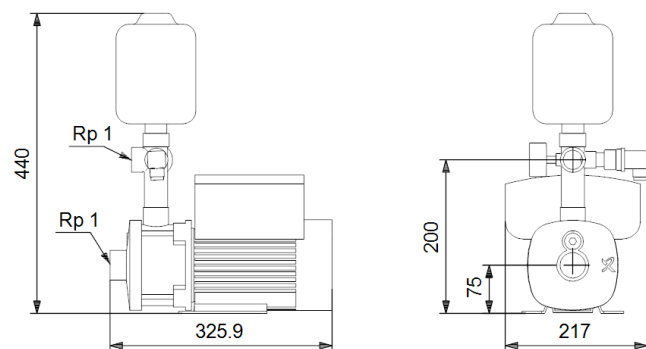
Pump type	Frame size	P ₂ [kW]	Dimensions [mm]																		
			A1	A2	A3	A4	B1	B2	B3	H	H1	H2	L1	L2	L3	L4	L5	L6	L7	L8	L9
CM25-1	90	2.2	2"	2"	3/8"	10.2	190	199	160	210	100	245	461	190	175	97	140	170	93	272	364
CM25-2	100	4.0	2"	2"	3/8"	12.0	198	199	160	220	100	245	477	205	190	97	140	170	108	272	380
CM25-3	132	5.8	2"	2"	3/8"	12.0	220	228	190	246	112	257	560	258	242	127	140	172	131	302	433
CM25-4	132	7.4	2"	2"	3/8"	12.0	220	228	190	246	112	257	590	288	272	157	140	172	131	302	433

GRUNDFOS TRYKFORØGNING										CMBE 3 / 5 – SCALA2		
	Motor P ₂ (W)	Ydelse m ³ /t								Varenr.	Enhedspris, kr.	
		1	2	3	4	5			1X230V 50hz			
		Løftehøjde m.v.s.										
CMBE 3-62	1,1	64	60	54	47	38			6,7 A	38 5185 362	21.310,00	
CMBE 3-93	1,5								9,1 A	38 5185 393	23.445,00	
	Motor P ₂ (W)	Ydelse m ³ /t										
		2	3	4	5	6	7	8	1x230v 50hz			
		Løftehøjde m.v.s.										
CMBE 5-62	1,5	66	65	62	57	48	39			9,1 A	38 5185 562	31.075,00
	Motor P ₂ (W)	Ydelse m ³ /t										
		0,6	1,2	1,8	2,4	3,0	3,6	4,2	1x230v 50hz			
		Løftehøjde m.v.s.										
SCALA2 3-45	0,55	44	42	40	34	27	20	14	2,8 A	38 5183 145	8.355,00	

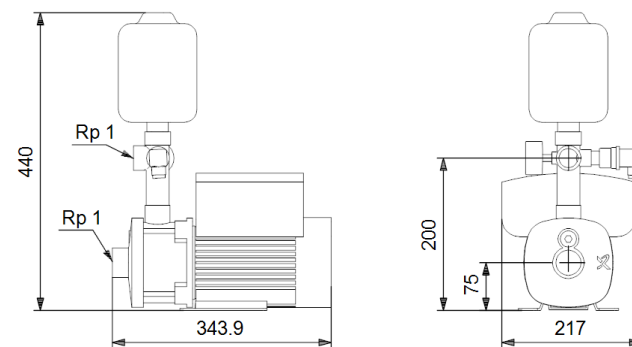


MÅLSKITSER

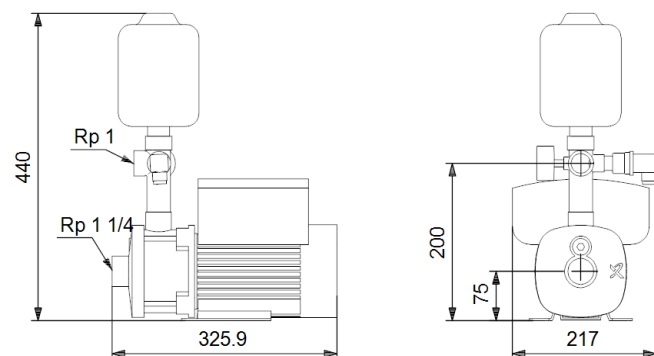
CMBE 3-30 – Vægt: 26,4 kg.



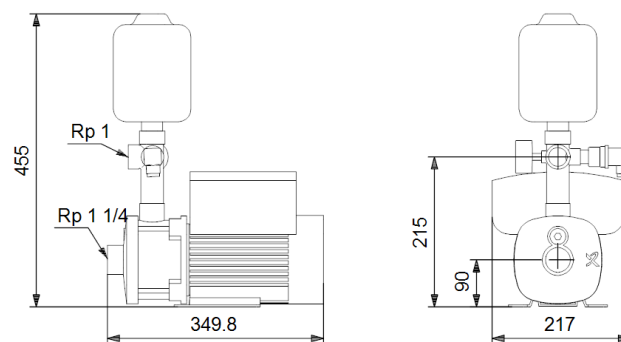
CMBE 3-62 – Vægt 27,1 kg.



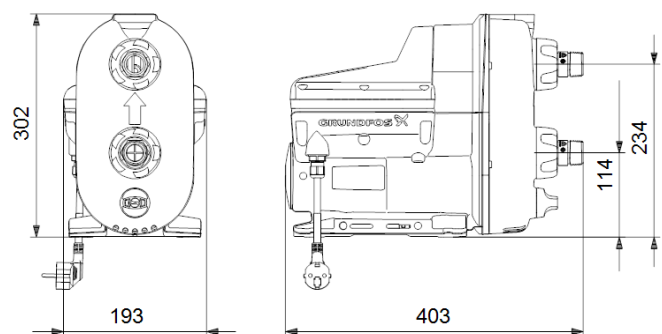
CMBE 5-31 – Vægt: 26,4 kg.



CMBE 5-62 – Vægt: 29,4 kg.



SCALA2 3-45 – Vægt: 12,8 kg.



GRUNDFOS CENTRIFUGALPUMPER

CR3

Type	Motor		Ydelse m ³ /t									Varenr.	Enhedspris kr.
	HK	KW	1,2	1,6	2,0	2,4	2,8	3,2	3,6	4,0	4,4		
			Løftehøjde m.v.s.										
CR3 – 2	0,5	0,37	12	12	11	11	10	9	8	7	4	38 5901 002	8.065,00
CR3 – 5	0,5	0,37	31	30	29	28	25	21	19	15	12	38 5901 005	9.455,00
CR3 – 6	0,75	0,55	37	36	35	32	30	28	24	20	15	38 5901 006	9.700,00
CR3 – 7	0,75	0,55	44	42	40	37	35	31	27	23	17	38 5901 007	10.185,00
CR3 – 8	1,00	0,75	50	49	47	44	40	36	32	27	21	38 5901 008	10.815,00
CR3 – 9	1,00	0,75	56	54	51	49	45	40	36	30	22	38 5901 009	11.305,00
CR3 – 10	1,00	0,75	61	59	57	54	50	45	39	32	25	38 5901 010	11.800,00
CR3 – 11	1,5	1,1	69	67	63	59	56	50	44	37	29	38 5901 011	12.495,00
CR3 – 15	1,5	1,1	92	89	85	79	73	66	57	48	37	38 5901 015	14.480,00
CR3 – 17	2,0	1,5	108	103	99	94	87	79	70	58	45	38 5901 017	16.505,00
CR3 – 19	2,0	1,5	119	115	110	103	96	87	77	65	50	38 5901 019	17.515,00
CR3 – 21	3,0	2,2	134	129	124	117	109	99	88	74	58	38 5901 021	17.970,00
CR3 – 25	3,0	2,2	158	152	146	138	128	117	101	86	69	38 5901 025	20.445,00
CR3 – 29	3,0	2,2	181	176	168	158	147	133	116	98	77	38 5901 029	22.440,00
CR3 – 36	4,0	3,0	228	220	210	198	185	168	148	125	98	38 5901 036	26.025,00

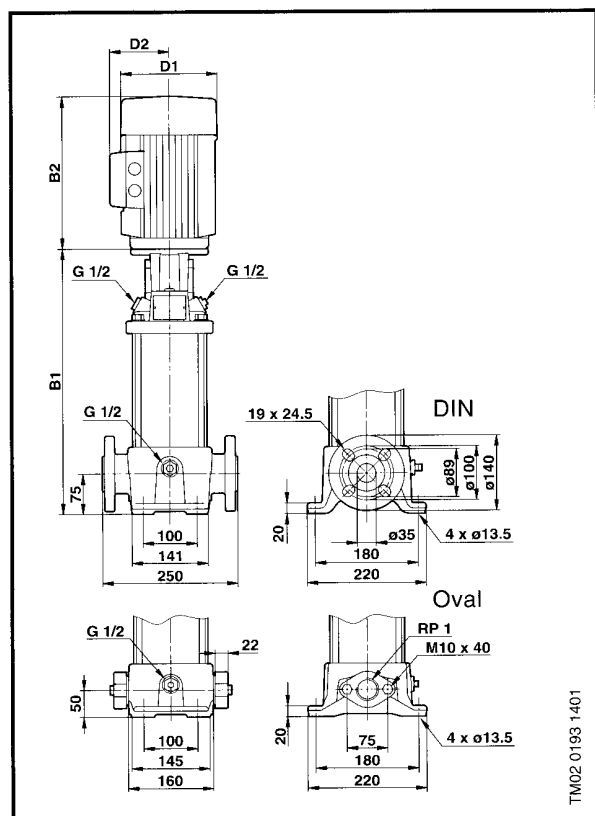
	Type	Tilslutn. Mål	Nom. Tryk
CR3-2 til CR3-23 er incl. 1" modflanger. Øvrige modflanger bestilles separat.	DIN 2566	RP1	16 bar
	DIN 2633	DN25	25 bar



TEKNISKE DATA

CR3

Målskitser



Mål og vægt

Pumpe- type	Mål [mm]							Nettovægt [kg]	
	Oval flange		DIN flange		B2	D1	D2	Oval	DIN
	B1	B1 + B2	B1	B1 + B2					
CR 3-2	256	447	281	472	191	141	109	18,4	22,5
CR 3-3	256	447	281	472	191	141	109	18,4	22,5
CR 3-4	274	465	299	490	191	141	109	18,7	22,8
CR 3-5	292	483	317	508	191	141	109	19,0	23,1
CR 3-6	310	501	335	526	191	141	109	19,7	23,8
CR 3-7	328	519	353	544	191	141	109	20,3	24,4
CR 3-8	350	581	375	606	231	141	109	22,8	26,9
CR 3-9	368	599	393	624	231	141	109	23,2	27,3
CR 3-10	386	617	411	642	231	141	109	23,7	27,8
CR 3-11	404	635	429	660	231	141	109	25,6	29,7
CR 3-12	422	653	447	678	231	141	109	26,1	30,2
CR 3-13	440	671	465	696	231	141	109	26,3	30,4
CR 3-15	476	707	501	732	231	141	109	26,9	31,0
CR 3-17	528	809	553	834	281	178	110	33,3	37,4
CR 3-19	564	845	589	870	281	178	110	34,0	38,1
CR 3-21	600	881	625	906	281	178	110	36,8	40,9
CR 3-23	636	917	661	942	281	178	110	37,6	41,7
CR 3-25			697	978	281	178	110		42,9
CR 3-27			733	1014	281	178	110		43,4
CR 3-29			769	1050	281	178	110		44,2
CR 3-31			809	1144	335	178	110		50,5
CR 3-33			845	1180	335	178	110		51,2
CR 3-36			899	1234	335	178	110		53,3

Elektriske data

3 x 220-240/380-415 V, 50 Hz

Pumpetype	Motor P ₂ [kW]	Fuldlaststrøm I _{1/1} [A]	Effektfaktor Cos φ _{1/1}	Motorvirkningsgrad η [%]	I _{start} I _{1/1}
CR 3-2	0,37	1,66/0,96	0,84-0,76	77,5-77,5	4,8-5,2
CR 3-3	0,37	1,66/0,96	0,84-0,76	77,5-77,5	4,8-5,2
CR 3-4	0,37	1,66/0,96	0,84-0,76	77,5-77,5	4,8-5,2
CR 3-5	0,37	1,66/0,96	0,84-0,76	77,5-77,5	4,8-5,2
CR 3-6	0,55	2,50/1,44	0,84-0,76	79,0-79,0	4,8-5,2
CR 3-7	0,55	2,50/1,44	0,84-0,76	79,0-79,0	4,8-5,2
CR 3-8	0,75	3,20/1,86	0,86-0,78	80,0-80,0	5,0-5,5
CR 3-9	0,75	3,20/1,86	0,86-0,78	80,0-80,0	5,0-5,5
CR 3-10	0,75	3,20/1,86	0,86-0,78	80,0-80,0	5,0-5,5
CR 3-11	1,1	4,60/2,65	0,87-0,79	81,0-81,0	5,2-5,7
CR 3-12	1,1	4,60/2,65	0,87-0,79	81,0-81,0	5,2-5,7
CR 3-13	1,1	4,60/2,65	0,87-0,79	81,0-81,0	5,2-5,7
CR 3-15	1,1	4,60/2,65	0,87-0,79	81,0-81,0	5,2-5,7
CR 3-17	1,5	5,90/3,40	0,85-0,79	82,0-82,0	6,3-6,9
CR 3-19	1,5	5,90/3,40	0,85-0,79	82,0-82,0	6,3-6,9
CR 3-21	2,2	8,25/4,75	0,87-0,82	84,0-84,0	7,0-7,6
CR 3-23	2,2	8,25/4,75	0,87-0,82	84,0-84,0	7,0-7,6
CR 3-25	2,2	8,25/4,75	0,87-0,82	84,0-84,0	7,0-7,6
CR 3-27	2,2	8,25/4,75	0,87-0,82	84,0-84,0	7,0-7,6
CR 3-29	2,2	8,25/4,75	0,87-0,82	84,0-84,0	7,0-7,6
CR 3-31	3,0	10,8/6,25	0,88-0,82	86,0-86,0	7,8-8,5
CR 3-33	3,0	10,8/6,25	0,88-0,82	86,0-86,0	7,8-8,5
CR 3-36	3,0	10,8/6,25	0,88-0,82	86,0-86,0	7,8-8,5

* Strømme opgives som maks. værdier for hhv. 3 x 220-240 V og 3 x 380-415 V.

GRUNDFOS CENTRIFUGALPUMPER

CR5

Type	Motor		Ydelse m ³ /t									Varenr.	Enhedspris kr.
	HK	KW	2,5	3	4	5	6	7	8	8,5			
			Løftehøjde m.v.s.										
CR5 - 2	0,5	0,37	12	11	10	9	8	5	3	2	38 5902 002	9.390,00	
CR5 - 3	0,75	0,55	19	18	17	15	12	10	7	5	38 5902 003	9.840,00	
CR5 - 4	0,75	0,55	25	24	22	20	17	14	10	8	38 5902 004	10.610,00	
CR5 - 5	1,0	0,75	31	30	28	25	22	19	14	12	38 5902 005	11.410,00	
CR5 - 6	1,5	1,1	38	37	35	31	28	23	18	15	38 5902 006	11.800,00	
CR5 - 7	1,5	1,1	43	42	40	37	32	27	21	18	38 5902 007	12.285,00	
CR5 - 8	1,5	1,1	50	49	46	41	37	30	24	20	38 5902 008	12.730,00	
CR5 - 9	2,0	1,5	58	57	53	49	43	37	30	26	38 5902 009	14.620,00	
CR5 - 10	2,0	1,5	64	62	59	54	48	41	33	29	38 5902 010	15.105,00	
CR5 - 16	3,0	2,2	104	100	95	88	78	68	55	48	38 5902 016	18.950,00	
CR5 - 18	4,0	3,0	118	116	109	100	90	78	65	57	38 5902 018	21.110,00	
CR5 - 20	4,0	3,0	130	128	120	111	100	87	71	62	38 5902 020	22.090,00	
CR5 - 26	5,5	4,0	170	167	158	146	131	115	95	85	38 5902 026	25.225,00	
CR5 - 29	5,5	4,0	191	188	178	165	149	130	109	96	38 5902 029	26.695,00	

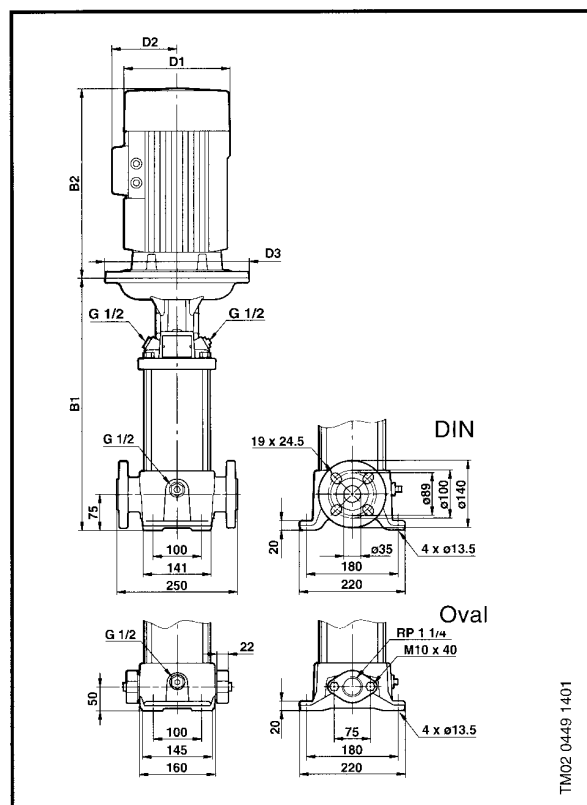
	Type	Tilslutn. Mål	Nom. Tryk
CR5-2 til CR5-20 er incl. 1 1/4" modflanger. Øvrige modflanger bestilles separat	DIN2566	R 1 1/4"	16 bar
	DIN2634	DN32	25 bar



TEKNISKE DATA

CR5

Målskitser



Mål og vægt

Pumpe- type	Mål [mm]								Nettovægt [kg]	
	Oval flange		DIN flange		B2	D1	D2	D3	Oval	DIN
	B1	B1+B2	B1	B1+B2						
CR 5-2	256	447	281	472	191	141	109		18,4	22,5
CR 5-3	283	474	308	499	191	141	109		19,3	23,4
CR 5-4	310	501	335	526	191	141	109		19,7	23,8
CR 5-5	341	572	366	597	231	141	109		22,6	26,7
CR 5-6	368	599	393	624	231	141	109		24,6	28,7
CR 5-7	395	626	420	651	231	141	109		25,3	29,4
CR 5-8	422	653	447	678	231	141	109		26,1	30,2
CR 5-9	465	746	490	771	281	178	110		32,4	36,5
CR 5-10	492	773	517	798	281	178	110		32,8	36,9
CR 5-11	519	800	544	825	281	178	110		35,1	39,2
CR 5-12	546	827	571	852	281	178	110		35,5	39,6
CR 5-13	573	854	598	879	281	178	110		36,1	40,2
CR 5-14	600	881	625	906	281	178	110		36,8	40,9
CR 5-15	627	908	652	933	281	178	110		37,4	41,5
CR 5-16	654	935	679	960	281	178	110		38,0	42,1
CR 5-18	712	1047	737	1072	335	178	110		44,8	48,9
CR 5-20	766	1101	791	1126	335	178	110		46,1	50,2
CR 5-22	820	1192	845	1217	372	220	134		55,8	59,9
CR 5-24			899	1271	372	220	134			62,0
CR 5-26			953	1325	372	220	134			63,3
CR 5-29			1034	1406	372	220	134			65,2
CR 5-32			1145	1536	391	220	134	300		80,0
CR 5-36			1253	1644	391	220	134	300		82,6

Elektriske data

3 x 220-240/380-415 V, 50 Hz

Pumpetype	Motor P ₂ [kW]	Fuldlaststrøm I _{1/1} [A]	Effektfaktor Cos φ _{1/1}	Motorvirkningsgrad η [%]	I _{start} I _{1/1}
CR 5-2	0,37	1,66/0,96	0,84-0,76	77,5-77,5	4,8-5,2
CR 5-3	0,55	2,50/1,44	0,84-0,76	79,0-79,0	4,8-5,2
CR 5-4	0,55	2,50/1,44	0,84-0,76	79,0-79,0	4,8-5,2
CR 5-5	0,75	3,20/1,86	0,86-0,78	80,0-80,0	5,0-5,5
CR 5-6	1,1	4,60/2,65	0,87-0,79	81,0-81,0	5,2-5,7
CR 5-7	1,1	4,60/2,65	0,87-0,79	81,0-81,0	5,2-5,7
CR 5-8	1,1	4,60/2,65	0,87-0,79	81,0-81,0	5,2-5,7
CR 5-9	1,5	5,90/3,40	0,85-0,79	82,0-82,0	6,3-6,9
CR 5-10	1,5	5,90/3,40	0,85-0,79	82,0-82,0	6,3-6,9
CR 5-11	2,2	8,25/4,75	0,87-0,82	84,0-84,0	7,0-7,6
CR 5-12	2,2	8,25/4,75	0,87-0,82	84,0-84,0	7,0-7,6
CR 5-13	2,2	8,25/4,75	0,87-0,82	84,0-84,0	7,0-7,6
CR 5-14	2,2	8,25/4,75	0,87-0,82	84,0-84,0	7,0-7,6
CR 5-15	2,2	8,25/4,75	0,87-0,82	84,0-84,0	7,0-7,6
CR 5-16	2,2	8,25/4,75	0,87-0,82	84,0-84,0	7,0-7,6
CR 5-18	3,0	10,8/6,25	0,88-0,82	86,0-86,0	7,8-8,5
CR 5-20	3,0	10,8/6,25	0,88-0,82	86,0-86,0	7,8-8,5
CR 5-22	4,0	13,8/8,00	0,90-0,87	87,0-87,0	8,7-9,5
CR 5-24	4,0	13,8/8,00	0,90-0,87	87,0-87,0	8,7-9,5
CR 5-26	4,0	13,8/8,00	0,90-0,87	87,0-87,0	8,7-9,5
CR 5-29	4,0	13,8/8,00	0,90-0,87	87,0-87,0	8,7-9,5
CR 5-32	5,5	19,0/11,0	0,89-0,86	87,5-87,5	8,9-9,7
CR 5-36	5,5	19,0/11,0	0,89-0,86	87,5-87,5	8,9-9,7

* Strømme opgives som maks. værdier for hhv. 3 x 220-240 V og 3 x 380-415 V.

GRUNDFOS CENTRIFUGALPUMPER

CR10

Type	Motor		Ydelse m ³ /t								Varenr.	Enhedspris kr.
			6	7	8	9	10	11	12	13		
	HK	KW	Løftehøjde m.v.s.									
CR10 – 1	0,50	0,37	9	9	9	8	8	7	6	5	38 5903 010	11.730,00
CR10 – 2	1,0	0,75	19	18	17	16	15	13	12	10	38 5903 020	12.970,00
CR10 – 3	1,5	1,1	29	28	26	24	22	21	18	15	38 5903 030	15.415,00
CR10 – 4	2,0	1,5	39	38	36	33	32	29	25	22	38 5903 040	17.400,00
CR10 – 5	3,0	2,2	50	48	46	43	40	37	33	28	38 5903 050	18.950,00
CR10 – 6	3,0	2,2	60	58	55	52	48	44	39	34	38 5903 060	20.010,00
CR10 – 9	4,0	3,0	79	77	73	69	65	59	53	46	38 5903 090	24.265,00
CR10 – 10	5,5	4,0	100	96	92	87	81	74	67	58	38 5903 100	27.805,00
CR10 – 12	5,5	4,0	119	115	110	103	96	87	78	68	38 5903 120	29.995,00
CR10 – 14	7,5	5,5	140	135	129	122	114	104	94	81	38 5903 140	35.650,00
CR10 – 16	7,5	5,5	159	154	146	138	128	118	105	92	38 5903 160	37.845,00
CR10 – 18	10,0	7,5	181	176	168	160	149	138	123	108	38 5903 180	41.140,00
CR10 – 20	10,0	7,5	201	195	188	177	165	151	135	120	38 5903 200	43.300,00
CR10 – 22	10,0	7,5	220	215	206	194	180	165	150	130	38 5903 220	45.495,00

CR10-01 til CR10-12 Er inkl. 1½" ovale Modflanger. Øvrige modflanger bestilles separat	Type	Tilslutn. Mål	Nom. Tryk
	DIN 2566	Rp 1½	16 bar
	DIN 2566	Rp 2	16 bar
	DIN 2634	DN 40	25 bar

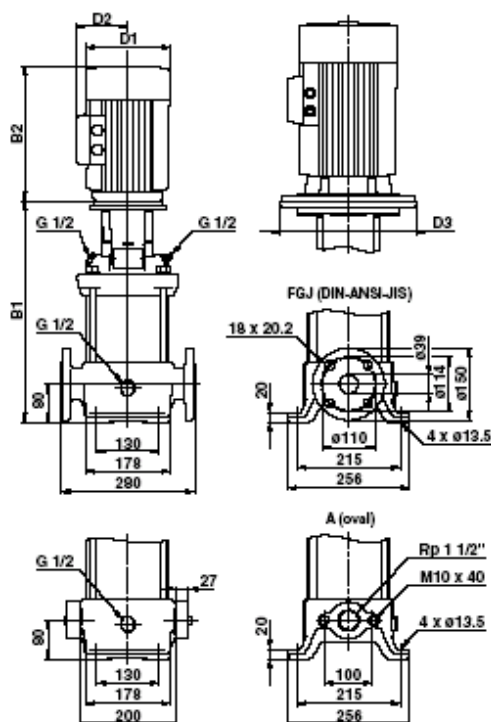


TEKNISKE DATA

CR10

Målskitser og elektriske data

3 x 380-415 V, 50 Hz



Pumpetype	Motor P ₂ [kW]	CR				CRE
		I _{1/1} [A]	cos φ _{1/1}	η [%]	I _{start} I _{1/1}	I _{1/1} [A]
CR(E) 10-1*	0,37	0,96	0,84-0,76	77,5-77,5	4,8-5,2	3,0-2,5
CR(E) 10-2*	0,75	1,86	0,86-0,78	80,0-80,0	5,0-5,5	5,1-4,7
CR(E) 10-3*	1,1	2,65	0,87-0,79	81,0-81,0	5,2-5,7	7,4-6,8
CR(E) 10-4	1,5	3,40	0,85-0,79	82,0-82,0	6,3-6,9	3,3-2,7
CR 10-5	2,2	4,75	0,87-0,82	84,0-84,0	7,0-7,6	-
CR(E) 10-6	2,2	4,75	0,87-0,82	84,0-84,0	7,0-7,6	4,6-3,8
CR 10-7	3,0	6,4/6,4	0,87-0,80	85,0-85,0	8,0-8,6	-
CR 10-8	3,0	6,4/6,4	0,87-0,80	85,0-85,0	8,0-8,6	-
CR(E) 10-9	3,0	6,4/6,4	0,87-0,80	85,0-85,0	8,0-8,6	6,4-5,2
CR 10-10	4,0	8,00	0,90-0,87	87,0-87,0	8,7-9,5	-
CR(E) 10-12	4,0	8,00	0,90-0,87	87,0-87,0	8,7-9,5	6,4-5,2
CR 10-14	5,5	11,0	0,89-0,86	87,5-87,5	8,9-9,7	-
CR(E) 10-16	5,5	11,0	0,89-0,86	87,5-87,5	8,9-9,7	11,0-8,8
CR 10-18	7,5	15,2	0,87-0,81	88,0-88,0	9,1-9,9	-
CR 10-20	7,5	15,2	0,87-0,81	88,0-88,0	9,1-9,9	-
CR(E) 10-22	7,5	15,2	0,87-0,81	88,0-88,0	9,1-9,9	15,0-12,0

TM026574.1008

* CRE pumpe er forsynet med énfasnet motor (1 x 220-240 V)

Mål og vægt

Pumpetype	CR									CRE								
	Mål [mm]				Nettovægt [kg]					Mål [mm]				Nettovægt [kg]				
	Oval flange		DIN-flange		D1	D2	D3	Oval flange	DIN-flange	Oval flange	DIN-flange	D1	D2	D3	Oval flange	DIN-flange		
B1	B1+B2	B1	B1+B2				B1	B1+B2	B1	B1+B2	B1	B1+B2		B1	B1+B2			
CR(E) 10-1	343	534	343	534	141	109	-	31,0	34,0	343	534	343	534	141	140	-	32,9	35,9
CR(E) 10-2	347	578	347	578	141	109	-	34,0	36,0	347	628	347	628	178	167	-	35,2	37,2
CR(E) 10-3	377	608	377	608	141	109	-	36,0	39,0	377	658	377	658	178	167	-	32,9	35,9
CR(E) 10-4	423	704	423	704	178	110	-	43,0	46,0	423	704	423	704	178	167	-	54,5	51,5
CR 10-5	453	734	453	734	178	110	-	46,0	49,0	-	-	-	-	-	-	-	-	-
CR(E) 10-6	483	764	483	764	178	110	-	47,0	50,0	483	804	483	804	178	167	-	57,5	60,5
CR 10-7	518	853	518	853	198	120	-	52,0	55,0	-	-	-	-	-	-	-	-	-
CR 10-8	548	883	548	883	198	120	-	53,0	56,0	-	-	-	-	-	-	-	-	-
CR(E) 10-9	578	913	578	913	198	120	-	54,0	57,0	578	913	578	913	198	177	-	63,0	66,0
CR 10-10	608	980	608	980	220	134	-	65,0	68,0	-	-	-	-	-	-	-	-	-
CR(E) 10-12	668	1040	668	1040	220	134	-	67,0	70,0	668	1040	668	1040	220	188	-	78,3	81,3
CR 10-14	760	1151	760	1151	220	134	300	90,0	93,0	-	-	-	-	-	-	-	-	-
CR(E) 10-16	820	1211	820	1211	220	134	300	92,0	95,0	820	1211	820	1211	220	188	298	104,9	107,9
CR 10-18	-	-	880	1271	220	134	300	-	100,0	-	-	-	-	-	-	-	-	-
CR 10-20	-	-	940	1331	220	134	300	-	103,0	-	-	-	-	-	-	-	-	-
CR(E) 10-22	-	-	1000	1391	220	134	300	-	105,0	-	-	1000	1391	220	188	298	-	116,7

GRUNDFOS CENTRIFUGALPUMPER

CR15

Type	Motor		Ydelse m ³ /t										Varenr.	Enhedspris kr.
	HK	KW	8	10	12	14	16	18	20	22	23			
			Løftehøjde m.v.s.											
CR15 – 1	1,5	1,1	13	12	11	11	10	10	9	8	7	38 5904 310	16.480,00	
CR15 – 2	3,0	2,2	27	26	25	24	22	21	19	17	15	38 5904 320	20.770,00	
CR15 – 3	4,0	3,0	40	39	38	36	34	32	29	26	24	38 5904 330	24.010,00	
CR15 – 4	5,5	4,0	54	53	51	48	46	43	39	35	32	38 5904 340	27.885,00	
CR15 – 5	5,5	4,0	67	65	63	61	57	53	48	43	40	38 5904 350	29.265,00	
CR15 – 6	7,5	5,5	81	79	76	73	70	65	59	53	49	38 5904 360	34.825,00	
CR15 – 7	7,5	5,5	95	92	89	85	80	75	69	61	57	38 5904 370	36.200,00	
CR15 – 8	10,0	7,5	108	106	103	98	93	86	79	70	65	38 5904 080	42.125,00	
CR15 – 9	10,0	7,5	121	119	115	110	104	97	89	79	73	38 5904 090	43.540,00	
CR15 – 10	15,0	11,0	136	134	130	125	117	109	100	89	85	38 5904 100	51.155,00	
CR15 – 12	15,0	11,0	163	159	155	147	140	130	120	106	98	38 5904 120	53.910,00	
CR15 – 14	15,0	11,0	189	185	180	172	162	150	137	122	115	38 5904 140	56.710,00	
CR15 – 17	20,0	15,0	230	226	220	210	198	185	168	150	142	38 5904 170	72.515,00	

Modflanger. bestilles separat	Type	Tilslutn. Mål	Nom. Tryk
	DIN 2566	Rp 2	16 bar
	Specialflange	Rp 2½	16 bar
	DIN 2634	DN 50	25 bar

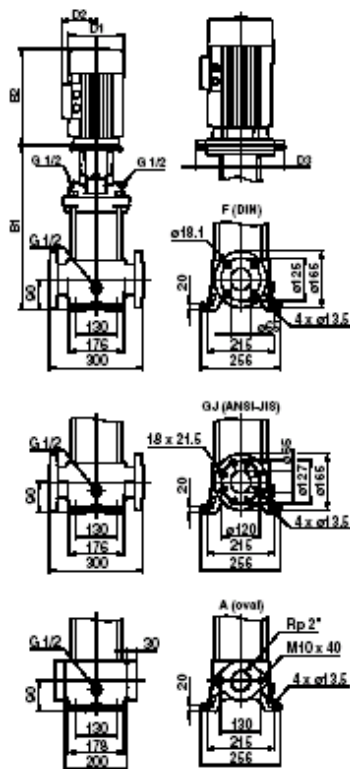


TEKNISKE DATA

CR15

Målskitser og elektriske data

3 x 380-415 V, 50 Hz



TM026576 1008

Pumpetype	Motor P ₂ [kW]	CR				CRE
		I _{1/1} [A]	cos φ _{1/1}	η [%]	$\frac{I_{start}}{I_{1/1}}$	I _{1/1} [A]
CR(E) 15-1*	1,1	2,65	0,87-0,79	81,0-81,0	5,2-5,7	7,4-6,8
CR(E) 15-2	2,2	4,75	0,87-0,82	84,0-84,0	7,0-7,6	4,6-3,8
CR(E) 15-3	3,0	6,4/6,4	0,87-0,80	85,0-85,0	8,0-8,6	6,4-5,2
CR 15-4	4,0	8,00	0,90-0,87	87,0-87,0	8,7-9,5	-
CR(E) 15-5	4,0	8,00	0,90-0,87	87,0-87,0	8,7-9,5	8,1-6,6
CR 15-6	5,5	11,0	0,89-0,86	87,5-87,5	8,9-9,7	-
CR(E) 15-7	5,5	11,0	0,89-0,86	87,5-87,5	8,9-9,7	11,0-8,8
CR 15-8	7,5	15,2	0,87-0,81	88,0-88,0	9,1-9,9	-
CR(E) 15-9	7,5	15,2	0,87-0,81	88,0-88,0	9,1-9,9	15,0-12,0
CR 15-10	11,0	21,5	0,91-0,87	90,0-90,0	7,3-8,0	-
CR 15-12	11,0	21,5	0,91-0,87	90,0-90,0	7,3-8,0	-
CR(E) 15-14	11,0	21,5	0,91-0,87	90,0-90,0	7,3-8,0	21,3
CR(E) 15-17	15,0	28,7	0,87	90,0	6,0	28,1

* CRE pumpe er forsynet med énfasnet motor (1 x 220-240 V)

Mål og vægt

Pumpetype	CR								CRE									
	Mål [mm]				Nettovægt [kg]				Mål [mm]				Nettovægt [kg]					
	Oval flange		DIN-flange		D1	D2	D3	Oval flange	DIN-flange	Oval flange		DIN-flange		D1	D2	D3	Oval flange	DIN-flange
B1	B1+B2	B1	B1+B2	B1						B1+B2	B1	B1+B2						
CR(E) 15-1	400	631	400	631	141	109	-	40,0	41,0	400	681	400	681	178	167	-	36,9	37,9
CR(E) 15-2	415	696	415	696	178	110	-	49,0	50,0	415	736	415	736	178	167	-	59,5	60,5
CR(E) 15-3	465	800	465	800	198	120	-	54,0	55,0	465	800	465	800	198	177	-	63,0	64,0
CR 15-4	510	882	510	882	220	134	-	66,0	66,0	-	-	-	-	-	-	-	-	-
CR(E) 15-5	555	927	555	927	220	134	-	67,0	68,0	555	927	555	927	220	188	-	78,3	79,3
CR 15-6	632	1023	632	1023	220	134	300	89,0	90,0	-	-	-	-	-	-	-	-	-
CR(E) 15-7	677	1068	677	1068	220	134	300	91,0	92,0	677	1068	677	1068	220	188	298	103,9	104,9
CR 15-8	-	-	722	1113	220	134	300	-	95,0	-	-	-	-	-	-	-	-	-
CR(E) 15-9	-	-	767	1158	220	134	300	-	97,0	-	-	767	1158	220	188	298	-	108,7
CR 15-10	-	-	889	1353	260	172	352	-	129,0	-	-	-	-	-	-	-	-	-
CR 15-12	-	-	979	1443	260	172	352	-	130,0	-	-	-	-	-	-	-	-	-
CR(E) 15-14	-	-	1069	1533	260	172	352	-	136,0	-	-	1069	1518	258	359	350	-	188,0
CR(E) 15-17	-	-	1204	1682	306	197	352	-	155,0	-	-	1204	1665	313	377	350	-	190,5

GRUNDFOS CENTRIFUGALPUMPER

CR20

Type	Motor		Ydelse m ³ /t										Varenr.	Enhedspris kr.
			14	16	18	20	22	24	26	28	29			
	HK	KW	Løftehøjde m.v.s.											
CR20 – 1	1,5	1,1	12	12	11	10	9	8	7	6	5	38 5905 310	16.865,00	
CR20 – 2	3,0	2,2	26	25	24	23	21	19	17	15	13	38 5905 320	21.250,00	
CR20 – 3	5,5	4,0	41	39	37	36	33	30	27	24	22	38 5905 330	29.940,00	
CR20 – 4	7,5	5,5	55	53	51	48	45	41	37	32	30	38 5905 340	35.395,00	
CR20 – 5	7,5	5,5	67	66	63	59	56	51	46	39	36	38 5905 350	37.040,00	
CR20 – 6	10,0	7,5	82	80	77	73	68	62	56	49	45	38 5905 360	42.875,00	
CR20 – 7	10,0	7,5	95	92	88	85	79	73	66	57	52	38 5905 370	44.550,00	
CR20 – 8	15,0	11,0	111	108	103	98	92	85	76	67	62	38 5905 380	54.695,00	
CR20 – 10	15,0	11,0	137	133	127	121	114	105	95	84	77	38 5905 100	58.025,00	
CR20 – 12	20,0	15,0	166	160	155	147	138	127	115	100	95	38 5905 120	70.870,00	
CR20 – 14	20,0	15,0	192	186	179	170	160	148	134	117	107	38 5905 140	74.195,00	
CR20 – 17	25,0	18,5	236	229	220	209	196	180	165	145	133	38 5905 170	88.460,00	

Modflanger. Bestilles separat.	Type	Tilslutn. Mål	Nom. Tryk
	DIN 2566	Rp 2	16 bar
	Specialflange	Rp 2½	16 bar
	DIN 2634	DN 50	25 bar

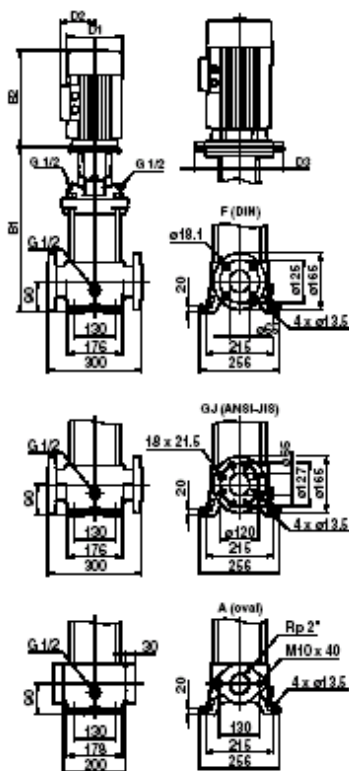


TEKNISKE DATA

CR20

Målskitser og elektriske data

3 x 380-415 V, 50 Hz



Pumpetype	Motor P ₂ [kW]	CR				CRE
		I _{1/1} [A]	cos φ _{1/1}	η [%]	$\frac{I_{start}}{I_{1/1}}$	I _{1/1} [A]
CR(E) 20-1*	1,1	2,65	0,87-0,79	81,0-81,0	5,2-5,7	7,4-6,8
CR(E) 20-2	2,2	4,75	0,87-0,82	84,0-84,0	7,0-7,6	4,6-3,8
CR(E) 20-3	4,0	8,00	0,90-0,87	87,0-87,0	8,7-9,5	8,1-6,6
CR 20-4	5,5	11,0	0,89-0,86	87,5-87,5	8,9-9,7	-
CR(E) 20-5	5,5	11,0	0,89-0,86	87,5-87,5	8,9-9,7	11,0-8,8
CR 20-6	7,5	15,2	0,87-0,81	88,0-88,0	9,1-9,9	-
CR(E) 20-7	7,5	15,2	0,87-0,81	88,0-88,0	9,1-9,9	15,0-12,0
CR 20-8	11,0	21,5	0,91-0,87	90,0-90,0	7,3-8,0	-
CR(E) 20-10	11,0	21,5	0,91-0,87	90,0-90,0	7,3-8,0	21,3
CR 20-12	15,0	28,7	0,87	90,0	6,0	-
CR(E) 20-14	15,0	28,7	0,87	90,0	6,0	28,1
CR(E) 20-17	18,5	35,9-34,1	0,86	91,0	7,2	34,2

TM026576 J008

* CRE pumpe er forsynet med énfaset motor (1 x 220-240 V)

Mål og vægt

Pumpetype	CR									CRE										
	Mål [mm]			Mål [mm]			Mål [mm]			Mål [mm]			Mål [mm]			Nettovægt [kg]				
	Oval flange	DIN-flange	Nettovægt [kg]	Oval flange	DIN-flange	Nettovægt [kg]	Oval flange	DIN-flange	Nettovægt [kg]	Oval flange	DIN-flange	Nettovægt [kg]	Oval flange	DIN-flange	Nettovægt [kg]					
B1	B1+B2	B1	B1+B2	D1	D2	D3	B1	B1+B2	B1	B1+B2	D1	D2	D3	B1	B1+B2	D1	D2	D3	Oval flange	DIN-flange
CR(E) 20-1	400	631	400	631	141	109	-	40,0	41,0	400	681	400	681	178	167	-	36,9	37,9		
CR(E) 20-2	415	696	415	696	178	110	-	49,0	50,0	415	736	415	736	178	167	-	65,8	66,8		
CR(E) 20-3	465	837	465	837	220	134	-	64,0	65,0	465	837	465	837	220	188	-	75,3	76,3		
CR 20-4	542	933	542	933	220	134	300	87,0	87,0	-	-	-	-	-	-	-	-	-	-	-
CR(E) 20-5	587	978	587	978	220	134	300	88,0	89,0	587	978	587	978	220	188	298	100,9	101,9		
CR 20-6	632	1023	632	1023	220	134	300	92,0	93,0	-	-	-	-	-	-	-	-	-	-	-
CR(E) 20-7	677	1068	677	1068	220	134	300	93,0	94,0	677	1068	677	1068	220	188	298	104,7	105,7		
CR 20-8	-	-	799	1263	260	172	352	-	126,0	-	-	-	-	-	-	-	-	-	-	-
CR(E) 20-10	-	-	889	1353	260	172	352	-	129,0	-	-	889	1338	258	359	350	-	-	-	181,0
CR 20-12	-	-	979	1457	306	197	352	-	147,0	-	-	-	-	-	-	-	-	-	-	-
CR(E) 20-14	-	-	1069	1547	306	197	352	-	150,0	-	-	1069	1530	313	377	350	-	-	-	185,5
CR(E) 20-17	-	-	1204	1682	306	197	352	-	165,0	-	-	1204	1703	313	377	350	-	-	-	226,0

GRUNDFOS CENTRIFUGALPUMPER

CR32

Type	Motor		Ydelse m ³ /t							Varenr.	Enhedspris kr.
			16	20	24	28	32	36	40		
	HK	KW	Løftehøjde m.v.s.								
CR 32-1-1	2,0	1,5	14	13	12	11	9	7	4	38 5906 011	24.280,00
CR 32-1	3,0	2,2	18	17	16	14	12	10	9	38 5906 010	25.940,00
CR 32-2-2	4,0	3,0	31	30	27	24	21	17	12	38 5906 022	29.965,00
CR 32-2	5,5	4,0	38	35	32	31	29	25	20	38 5906 020	35.100,00
CR 32-3	7,5	5,5	55	52	50	46	41	36	30	38 5906 030	44.140,00
CR 32-4	10,0	7,5	73	70	65	62	56	49	40	38 5906 040	54.760,00
CR 32-6	15,0	11,0	111	108	101	95	86	74	61	38 5906 060	72.645,00
CR 32-8	20,0	15,0	150	145	136	127	115	100	82	38 5906 080	89.265,00

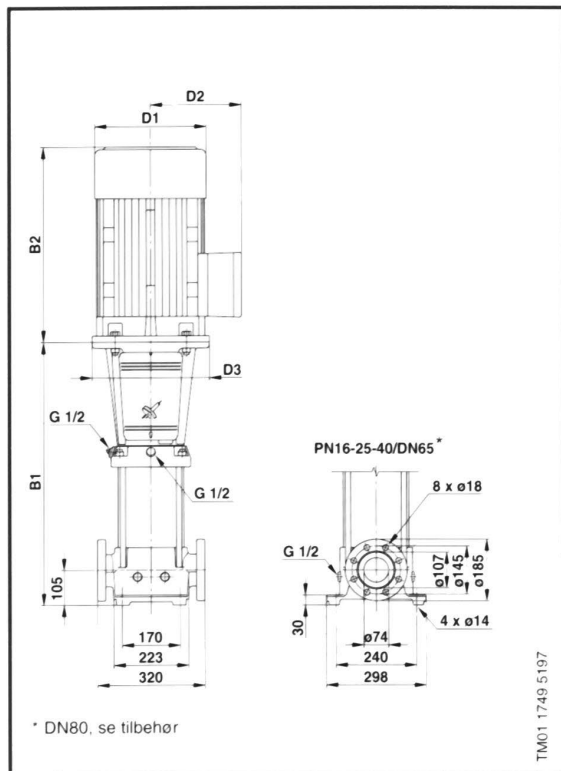
Modflanger bestilles separat	Type	Tilslutn. Mål	Nom. Tryk
	DIN 2566	Rp 2½	16 bar
	DIN 2566	Rp 3	16 bar
	DIN 2633	DN 65	16 bar
	DIN 2633	DN 65	16 bar
	DIN 2635	DN 65	40 bar



TEKNISKE DATA

CR32

Målskitser



Mål og vægt

Pumpetype	Mål [mm]						Nettovægt [kg]
	B1	B2	B1 + B2	D1	D2	D3	
CR 32-1-1	505	281	786	178	110	135	70
CR 32-1	505	281	786	178	110	135	79
CR 32-2-2	575	335	910	178	110	143	89
CR 32-2	575	372	947	220	134	158	98
CR 32-3-2	645	391	1036	220	134	298	107
CR 32-3	645	391	1036	220	134	298	107
CR 32-4-2	715	391	1106	220	134	298	115
CR 32-4	715	391	1106	220	134	298	115
CR 32-5-2	895	464	1359	260	172	350	156
CR 32-5	895	464	1359	260	172	350	156
CR 32-6-2	965	464	1429	260	172	350	160
CR 32-6	965	464	1429	260	172	350	160
CR 32-7-2	1035	478	1513	306	197	350	197
CR 32-7	1035	478	1513	306	197	350	197
CR 32-8-2	1105	478	1583	306	197	350	201
CR 32-8	1105	478	1583	306	197	350	201
CR 32-9-2	1175	478	1653	306	197	350	215
CR 32-9	1175	478	1653	306	197	350	215
CR 32-10-2	1245	478	1723	306	197	350	219
CR 32-10	1245	478	1723	306	197	350	219
CR 32-11-2	1315	600	1915	364	269	350	276
CR 32-11	1315	600	1915	364	269	350	276
CR 32-12-2	1385	600	1985	364	269	350	280
CR 32-12	1385	600	1985	364	269	350	280
CR 32-13-2	1455	667	2122	404	306	400	362
CR 32-13	1455	667	2122	404	306	400	362
CR 32-14-2	1525	667	2192	404	306	400	366
CR 32-14	1525	667	2192	404	306	400	366

Elektriske data

3 x 220-240/380-415 V, 50 Hz

Pumpetype	Motor [kW]	Fuldlaststrøm I _{1/1} [A]*	Effektfaktor Cos φ _{1/1}	Motorvirkningsgrad η[%]	I _{start} / I _{1/1}
CR 32-1-1	1,5	5,90/3,40	0,85-0,79	82,0	6,3-6,9
CR 32-1	2,2	8,25/4,75	0,87-0,82	84,0	7,0-7,6
CR 32-2-2	3,0	10,8/6,25	0,88-0,82	86,0	7,8-8,5
CR 32-2	4,0	13,8/8,00	0,90-0,87	87,0	8,7-9,5
CR 32-3-2	5,5	19,0/11,0	0,89-0,86	88,5	8,9-9,7
CR 32-3	5,5	19,0/11,0	0,89-0,86	88,5	8,9-9,7
CR 32-4-2	7,5	26,5/15,2	0,87-0,81	89,0	9,1-9,9
CR 32-4	7,5	26,5/15,2	0,87-0,81	89,0	9,1-9,9
CR 32-5-2	11	37,0/21,5	0,91-0,87	85,0	7,3-8,0
CR 32-5	11	37,0/21,5	0,91-0,87	85,0	7,3-8,0
CR 32-6-2	11	37,0/21,5	0,91-0,87	85,0	7,3-8,0
CR 32-6	11	37,0/21,5	0,91-0,87	85,0	7,3-8,0
CR 32-7-2	15	49,7/28,7	0,87	86,0	6,0
CR 32-7	15	49,7/28,7	0,87	86,0	6,0
CR 32-8-2	15	49,7/28,7	0,87	86,0	6,0
CR 32-8	15	49,7/28,7	0,87	86,0	6,0
CR 32-9-2	18,5	62,2/35,9	0,86	87,0	7,2
CR 32-9	18,5	62,2/35,9	0,86	87,0	7,2
CR 32-10-2	18,5	62,2/35,9	0,86	87,0	7,2
CR 32-10	18,5	62,2/35,9	0,86	87,0	7,2
CR 32-11-2	22	73,0/42,0	0,86	89,2	7,3
CR 32-11	22	73,0/42,0	0,86	89,2	7,3
CR 32-12-2	22	73,0/42,0	0,86	89,2	7,3
CR 32-12	22	73,0/42,0	0,86	89,2	7,3
CR 32-13-2	30	97,0/56,0	0,88	91,7	7,5
CR 32-13	30	97,0/56,0	0,88	91,7	7,5
CR 32-14-2	30	97,0/56,0	0,88	91,7	7,5
CR 32-14	30	97,0/56,0	0,88	91,7	7,5

* Strømme opgives som maks. værdier for hhv. 3 x 220-240 V og 3 x 380-415 V

GRUNDFOS CENTRIFUGALPUMPER

CR45

Type	Motor		Ydelse m ³ /t							Varenr.	Enhedspris kr.
			25	30	35	40	45	50	55		
	HK	KW	Løftehøjde m.v.s.								
CR 45-1-1	4,0	3,0	20	19	18	17	17	16	15	38 5907 011	28.620,00
CR 45-1	5,5	4,0	24	23	22	21	19	18	17	38 5907 010	34.350,00
CR 45-2-2	7,5	5,5	40	39	38	34	30	27	21	38 5907 022	43.420,00
CR 45-2	10,0	7,5	49	48	45	42	39	35	30	38 5907 020	54.870,00
CR 45-3	15,0	11,0	72	70	68	64	59	54	48	38 5907 030	69.400,00
CR 45-4	20,0	15,0	98	95	90	86	80	72	64	38 5907 040	86.185,00
CR 45-5	25,0	18,5	124	120	115	108	100	90	80	38 5907 050	102.220,00
CR 45-6	30,0	22,0	149	144	138	130	120	110	98	38 5907 060	115.985,00
CR 45-7	40,0	30,0	175	170	162	154	144	131	118	38 5907 070	126.455,00
CR 45-9-2	40,0	30,0	217	210	201	190	175	159	140	38 5907 092	134.720,00
CR 45-10	50,0	37,0	250	242	232	220	205	187	166	38 5907 100	150.500,00

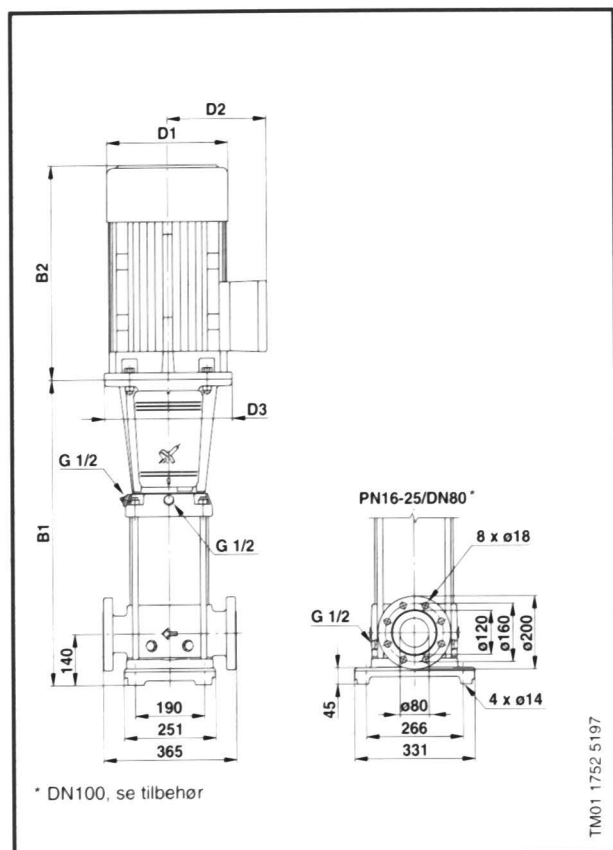
Modflanger bestilles separat	Type	Tilslutn. Mål	Nom. Tryk
	DIN 2566	Rp 3	16 bar
	DIN 2633	DN 80	16 bar
	DIN 2635	DN 80	25/40 bar



TEKNISKE DATA

CR45

Målskitser



Mål og vægt

Pumpetype	Mål [mm]						Netto-vægt [kg]
	B1	B2	B1 + B2	D1	D2	D3	
CRN 45-1-1	558	335	893	178	110	135	94
CRN 45-1	558	372	930	220	134	158	103
CRN 45-2-2	638	391	1029	220	134	298	112
CRN 45-2	638	377	1015	220	148	300	117
CRN 45-3-2	828	464	1292	260	172	350	158
CRN 45-3	828	464	1292	260	172	350	158
CRN 45-4-2	908	478	1386	306	197	350	196
CRN 45-4	908	478	1386	306	197	350	196
CRN 45-5-2	988	478	1466	306	197	350	209
CRN 45-5	988	478	1466	306	197	350	209
CRN 45-6-2	1068	600	1668	364	269	350	266
CRN 45-6	1068	600	1668	364	269	350	266
CRN 45-7-2	1148	667	1815	404	306	400	349
CRN 45-7	1148	667	1815	404	306	400	349
CRN 45-8-2	1228	667	1895	404	306	400	353
CRN 45-8	1228	667	1895	404	306	400	353
CRN 45-9-2	1308	667	1975	404	306	400	358
CRN 45-9	1308	667	1975	404	306	400	358
CRN 45-10-2	1388	667	2055	404	306	400	382
CRN 45-10	1388	667	2055	404	306	400	382

Elektriske data

3 x 220-240/380-415 V, 50 Hz

Pumpetype	Motor [kW]	Fuldlaststrøm I _{1/1} [A] ★	Effektfaktor Cos φ _{1/1}	Motorvirkningsgrad η [%]	I _{start} I _{1/1}
CRN 45-1-1	3,0	10,8/6,25	0,88-0,82	86,0	7,8-8,5
CRN 45-1	4,0	13,8/8,00	0,90-0,87	87,0	8,7-9,5
CRN 45-2-2	5,5	19,0/11,0	0,89-0,86	88,5	8,9-9,7
CRN 45-2	7,5	26,5/15,2	0,87-0,81	89,0	9,1-9,9
CRN 45-3-2	11	37,0/21,5	0,91-0,87	85,0	7,3-8,0
CRN 45-3	11	37,0/21,5	0,91-0,87	85,0	7,3-8,0
CRN 45-4-2	15	49,7/28,7	0,87	86,0	6,0
CRN 45-4	15	49,7/28,7	0,87	86,0	6,0
CRN 45-5-2	18,5	62,2/35,9	0,86	87,0	7,2
CRN 45-5	18,5	62,2/35,9	0,86	87,0	7,2
CRN 45-6-2	22	73,0/42,0	0,86	89,2	7,3
CRN 45-6	22	73,0/42,0	0,86	89,2	7,3
CRN 45-7-2	30	97,0/56,0	0,88	91,7	7,5
CRN 45-7	30	97,0/56,0	0,88	91,7	7,5
CRN 45-8-2	30	97,0/56,0	0,88	91,7	7,5
CRN 45-8	30	97,0/56,0	0,88	91,7	7,5
CRN 45-9-2	30	97,0/56,0	0,88	91,7	7,5
CRN 45-9	37	118/68,0	0,89	92,4	7,8
CRN 45-10-2	37	118/68,0	0,89	92,4	7,8
CRN 45-10	37	118/68,0	0,89	92,4	7,8

★ Strømme opgives som maks. værdier for hhv. 3 x 220-240 V og 3 x 380-415 V

GRUNDFOS CENTRIFUGALPUMPER

CR64

Type	Motor		Ydelse m ³ /t						Varenr.	Enhedspris kr.
			30	40	50	60	70	80		
	HK	KW	Løftehøjde m.v.s.							
CR 64-1-1	5,5	4,0	20	19	18	15	12	8	38 5908 011	33.955,00
CR 64-1	7,5	5,5	28	25	23	21	19	17	38 5908 010	44.300,00
CR 64-2-2	10,0	7,5	40	38	36	31	26	19	38 5908 022	53.695,00
CR 64-2	15,0	11,0	55	52	49	46	41	36	38 5908 020	62.460,00
CR 64-3-1	20,0	15,0	75	72	68	62	55	48	38 5908 031	83.100,00
CR 64-4-2	25,0	18,5	96	92	87	79	70	59	38 5908 042	100.035,00
CR 64-4	30,0	22,0	111	107	101	95	86	75	38 5908 040	111.060,00
CR 64-6-2	40,0	30,0	153	148	140	129	115	99	38 5908 062	122.980,00
CR 64-7-1	50,0	37,0	190	183	173	160	145	127	38 5908 071	149.385,00

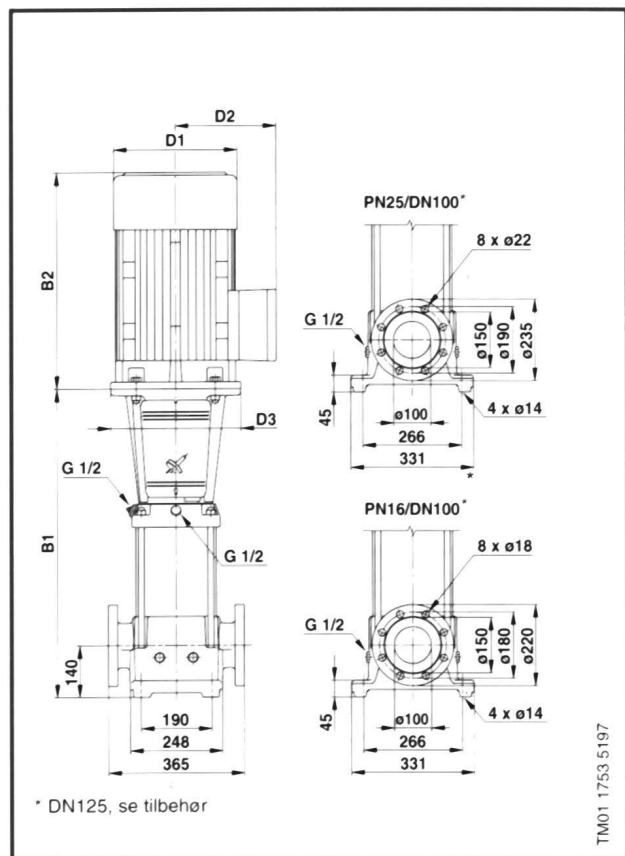
Modflanger bestilles separat	Type	Tilslutn. Mål	Nom. Tryk
	DIN 2566	Rp 4	16 bar
	DIN 2633	DN 100	16 bar
	DIN 2635	DN 100	25 bar



TEKNISKE DATA

CR64

Målskitser



Mål og vægt

Pumpetype	Mål [mm]						Nettovægt [kg]
	B1	B2	B1 + B2	D1	D2	D3	
CR 64-1-1	561	372	933	220	134	158	107
CR 64-1	561	391	952	220	134	298	112
CR 64-2-2	644	391	1035	220	134	298	121
CR 64-2-1	754	464	1218	260	172	350	158
CR 64-2	754	464	1218	260	172	350	158
CR 64-3-2	836	478	1314	306	197	350	196
CR 64-3-1	836	478	1314	306	197	350	196
CR 64-3	836	478	1314	306	197	350	205
CR 64-4-2	919	478	1397	306	197	350	209
CR 64-4-1	919	600	1519	364	269	350	262
CR 64-4	919	600	1519	364	269	350	262
CR 64-5-2	1001	667	1668	404	306	400	345
CR 64-5-1	1001	667	1668	404	306	400	345
CR 64-5	1001	667	1668	404	306	400	345
CR 64-6-2	1084	667	1751	404	306	400	350
CR 64-6-1	1084	667	1751	404	306	400	370
CR 64-6	1084	667	1751	404	306	400	370
CR 64-7-2	1166	667	1833	404	306	400	374
CR 64-7-1	1166	667	1833	404	306	400	374




Elektriske data

3 x 220-240/380-415 V, 50 Hz

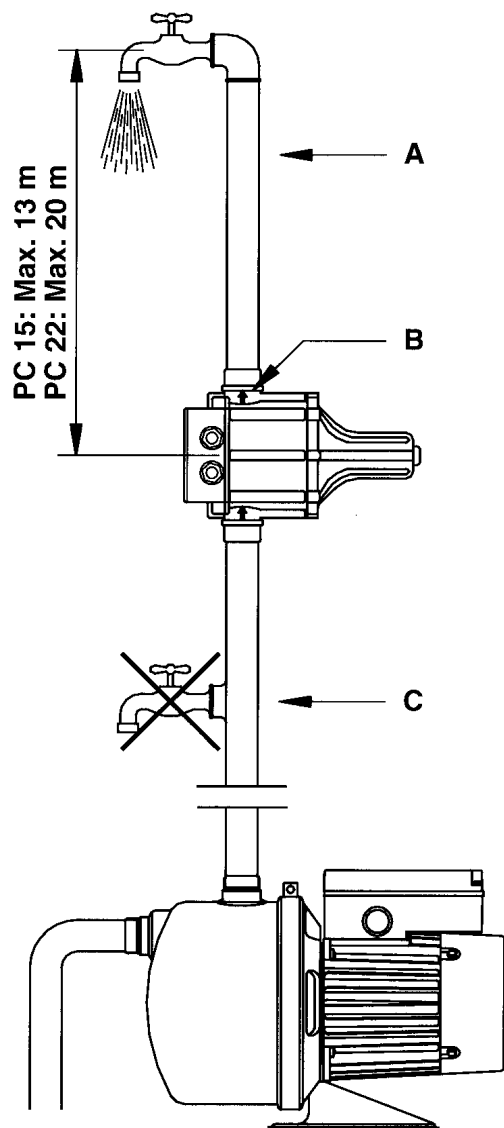
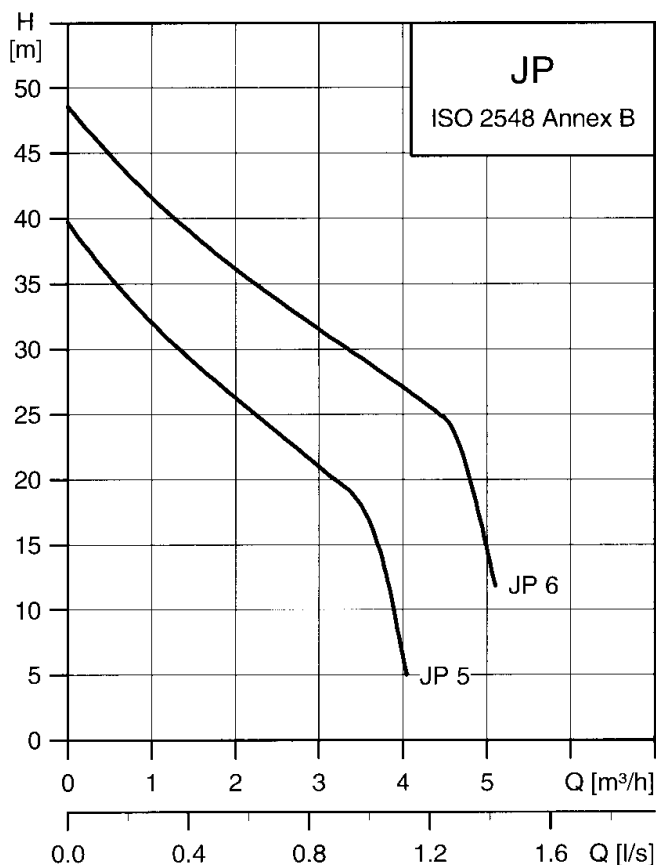
Pumpetype	Motor [kW]	Fuldlaststrøm $I_{1/1}$ [A] *	Effektfaktor $\cos \varphi_{1/1}$	Motorvirkningsgrad η [%]	$\frac{I_{start}}{I_{1/1}}$
CR 64-1-1	4,0	13,8/8,00	0,90-0,87	87,0	8,7-9,5
CR 64-1	5,5	19,0/11,0	0,89-0,86	88,5	8,9-9,7
CR 64-2-2	7,5	26,5/15,2	0,87-0,81	89,0	9,1-9,9
CR 64-2-1	11	37,0/21,5	0,91-0,87	85,0	7,3-8,0
CR 64-2	11	37,0/21,5	0,91-0,87	85,0	7,3-8,0
CR 64-3-2	15	49,7/28,7	0,87	86,0	6,0
CR 64-3-1	15	49,7/28,7	0,87	86,0	6,0
CR 64-3	18,5	62,2/35,9	0,86	87,0	7,2
CR 64-4-2	18,5	62,2/35,9	0,86	87,0	7,2
CR 64-4-1	22	73,0/42,0	0,86	89,2	7,3
CR 64-4	22	73,0/42,0	0,86	89,2	7,3
CR 64-5-2	30	97,0/56,0	0,88	91,7	7,5
CR 64-5-1	30	97,0/56,0	0,88	91,7	7,5
CR 64-5	30	97,0/56,0	0,88	91,7	7,5
CR 64-6-2	30	97,0/56,0	0,88	91,7	7,5
CR 64-6-1	37	118/68,0	0,89	92,4	7,8
CR 64-6	37	118/68,0	0,89	92,4	7,8
CR 64-7-2	37	118/68,0	0,89	92,4	7,8
CR 64-7-1	37	118/68,0	0,89	92,4	7,8

* Strømme opgives som maks. værdier for hhv. 3 x 220-240 V og 3 x 380-415 V

GRUNDFOS JETPUMPER

		Varenr.	Enhedspris kr.																																							
	JP5-48 I RUSTFRIT STÅL Anvendelse: Vandforsyning, Trykforøgning, Væsketransport, Sprinkler systemer, Tømning. Tilslutning 1"																																									
	<table border="1"> <thead> <tr> <th colspan="2">Motor</th> <th colspan="6">Ydelse m3/t</th> </tr> <tr> <th>HK</th> <th>KW</th> <th>0,5</th> <th>1</th> <th>2</th> <th>3</th> <th>4</th> <th>5</th> </tr> </thead> <tbody> <tr> <td>1,36</td> <td>1,01</td> <td>46</td> <td>43</td> <td>38</td> <td>34</td> <td>29</td> <td>25</td> </tr> </tbody> </table>	Motor		Ydelse m3/t						HK	KW	0,5	1	2	3	4	5	1,36	1,01	46	43	38	34	29	25																	
	Motor		Ydelse m3/t																																							
	HK	KW	0,5	1	2	3	4	5																																		
1,36	1,01	46	43	38	34	29	25																																			
<table border="1"> <thead> <tr> <th colspan="2"></th> <th colspan="6">Løftehøjde m.v.s.</th> </tr> </thead> <tbody> <tr> <td>Type:</td> <td></td> <td>Volt</td> <td>Amp.</td> <td></td> <td></td> <td></td> <td></td> </tr> <tr> <td>JP5-48 pumpe alene</td> <td></td> <td>1X230</td> <td>3,6</td> <td>38 5534 050</td> <td></td> <td></td> <td>4.775,00</td> </tr> <tr> <td>JP5-48 pumpe m/Prescontr</td> <td></td> <td>1x230</td> <td>3,6</td> <td>38 5534 150</td> <td></td> <td></td> <td>8.280,00</td> </tr> <tr> <td>JP5-48 m/tank & automatik</td> <td></td> <td>1x230</td> <td>3,6</td> <td>38 5534 250</td> <td></td> <td></td> <td>7.995,00</td> </tr> </tbody> </table>			Løftehøjde m.v.s.						Type:		Volt	Amp.					JP5-48 pumpe alene		1X230	3,6	38 5534 050			4.775,00	JP5-48 pumpe m/Prescontr		1x230	3,6	38 5534 150			8.280,00	JP5-48 m/tank & automatik		1x230	3,6	38 5534 250			7.995,00		
		Løftehøjde m.v.s.																																								
Type:		Volt	Amp.																																							
JP5-48 pumpe alene		1X230	3,6	38 5534 050			4.775,00																																			
JP5-48 pumpe m/Prescontr		1x230	3,6	38 5534 150			8.280,00																																			
JP5-48 m/tank & automatik		1x230	3,6	38 5534 250			7.995,00																																			
																																										
	PRESCONTROL Styringsenhed med indb. tryk- og flowswitch. For aut. Drift af pumper med starttryk på 1,5 til 5 bar som er justerbart.																																									
	Prescontrol PM2 max 10 Amp. Flowswitch sikrer pumpen mod tørkørsel.	38 5549 232	3.029,00																																							

TEKNISKE DATA






Elektriske data

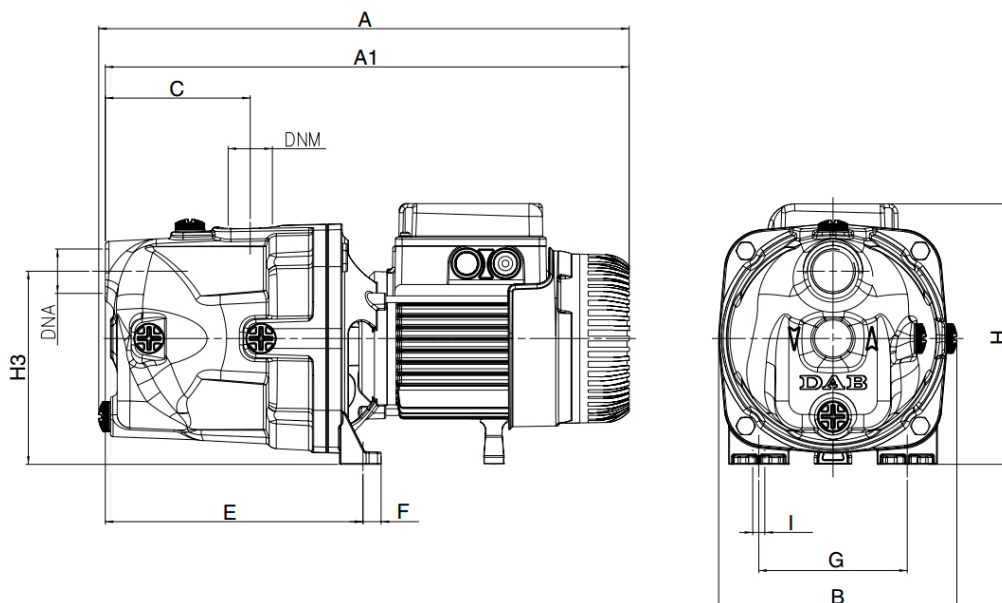
JP 5, 50 Hz	P_1 [W]	n [min^{-1}]	$\text{Cos } \varphi$	I_n [A]	$\frac{I_{st}}{I_n}$
1 x 220 - 230 V	775	2650	0,99	3,7	3,5
3 x 220 - 240 V	780	2830	0,87	2,4	2,9
3 x 380 - 415 V	780	2830	0,87	1,4	5,0

JP 6, 50 Hz	P_1 [W]	n [min^{-1}]	$\text{Cos } \varphi$	I_n [A]	$\frac{I_{st}}{I_n}$
1 x 220 - 230 V	1350	2800	0,90	6,2	4,2
3 x 220 - 240 V	1325	2850	0,81	4,1	3,9
3 x 380 - 415 V	1325	2850	0,81	2,4	6,8

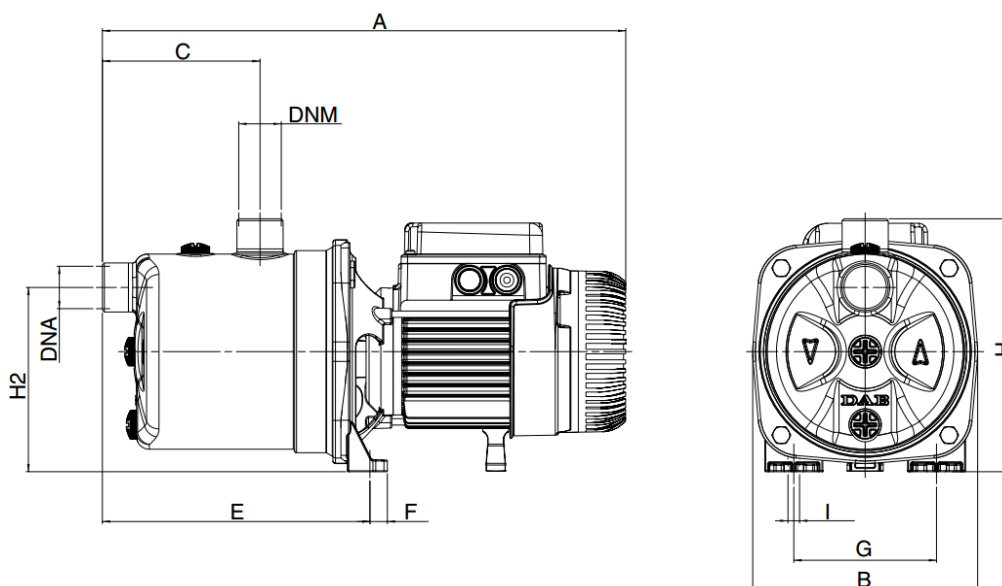
DAB HUS OG HAVEPUMPER

		JETPUMPER I STØBEJERN								Varenr.	Enhedspris kr.	
	Motor	Ydelse m3/t										
		0,6	1,2	1,8	2,4	3,0	3,6	4,2	4,8			
	HK	KW	Tryk m.v.s.									
	0,80	0,6	40	34	30	26	23	20				
	1,36	1,0	46	43	40	37	35	32	30	27		
	Type:				HK		Volt		Amp.			
Aquajet 82 M-G				0,80		230		3,8	50 1310 100	3.195,00		
Aquajet 132 M-G				1,36		230		6,6	50 1310 160	3.610,00		
Incl. 20 ltr. Tank og trykafbryder.												
		JETPUMPER I RUSTFRIT STÅL										
	Motor	Ydelse m3/t										
		0,6	1,2	1,8	2,4	3,0	3,6	4,2	4,8			
	HK	Type	Tryk m.v.s.									
	1,36	112	54	47	42	39	35	20				
	1,36	132	46	43	40	37	35	32	30	27		
	Type:						Volt		Amp.			
Aquajet INOX 132 M						230		6,6	50 1315 140	3.925,00		
Incl. 20 ltr. Tank og trykafbryder.												
		PUMPER ALENE:										
	Type:					Volt		Amp.				
	HK											
	Jet INOX 112 M			1,36		230		6,6	50 1315 620	2.575,00		
	Jet INOX 132 M			1,36		230		6,6	50 1315 640	2.575,00		
Jet INOX 132 T			1,36		400		2,7	50 1315 641	2.500,00			

TEKNISKE DATA




Model	A	A1	B	C	E	F	G	H	H1	H3	IØ	DNA GAS	DNM GAS	L/A	L/B	H	Vægt
Jet 82	395	395	178	108	192	14	111	193	-	144	9	1"	1"	470	240	240	10,5
Jet 132	414	409	263	108	192	14	111	203	-	144	9	1"	1"	470	240	240	13,5



Model	A	B	C	E	F	G	H	H1	H2	IØ	DNA GAS	DNM GAS	L/A	L/B	H	Vægt
Jet Inox 112	424	174	122	207	14	111	197		144	9	1"	1"	470	240	240	10,6
Jet Inox 132	424	174	122	207	14	111	197		144	9	1"	1"	470	240	240	10,6

DAB 4" DYKPUMPER **3 X 400V**

Type	Motor		Ydelse m3/t										Varenr.	Enhedspris kr.
	HK	KW	1,2	1,5	1,8	2,4	3,0	4,2	5,4	8,4	9,6	10,8		
S4 3/13T	1,0	0,75	68	66	64	57	50	29					50 1316 410	6.540,00
S4 4/14T	1,5	1,10			87	82	76	61	39				50 1316 415	7.185,00
S4 8/15T	3,0	2,20						83	81	62	48	33	50 1316 430	9.995,00

	GUMMIKABEL, 4-LEDER													
	Kvalitet: H07-RNF													
	Monteret m. krympesamling													
	Størrelse:													
	1,5 mm ² x 10 mtr.												50 1316 910	935,00
1,5 mm ² x 20 mtr.												50 1316 920	1.280,00	
1,5 mm ² x 30 mtr.												50 1316 930	1.625,00	

Tekniske Data:

Type	Str.	Effekt	Sikring	Vægt
S4 3/13T	1¼"	0,75 kw	In = 2,4 Amp	14,5
S4 4/13T	1¼"	1,10 kw	In = 3,4 Amp	15,8
S4 8/15T	2"	2,20 kw	In = 5,9 Amp	20,9



SEALAND HUS OG HAVEPUMPER

JETPUMPER I STØBEJERN

Membrantank - malet.
 Alle 3-fasede motorer er IE3.

Motor		Ydelse m3/t					
		0,6	1,2	1,8	2,4	3,0	3,6
HK	KW	Løftehøjde m.v.s.					
1,0	0,74	43	38	33	29	25	23
1,2	0,88	48	43	38	33	29	24

Motor		Ydelse m3/t					
		1,2	3	6	7,2	8,4	9,6
HK	KW	Løftehøjde m.v.s.					
2,0	1,50	49	43	33	29	27	23



Type:	Volt	Amp.	Varenr.	Enhedspris kr.
1,0 HK m/tank & automatik	230	4,8	50 1320 100	2.785,00
1,2 HK m/tank & automatik	230	5,1	50 1320 120	3.006,00
1,2 HK m/tank & automatik	400	2,7	50 1320 220	3.315,00
2,0 HK m/tank & automatik	230	11,0	50 1320 140	5.585,00
2,0 HK m/tank & automatik	400	3,6	50 1320 240	6.375,00

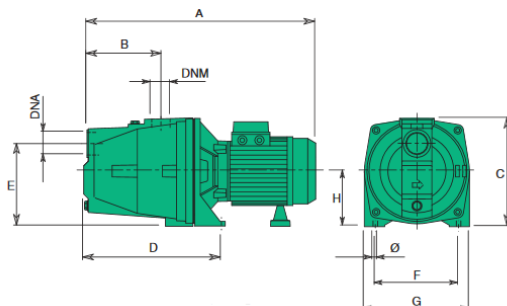


Type:	Volt	Amp.	Varenr.	Enhedspris kr.
1,0 HK pumpe alene	230	4,8	50 1320 600	2.214,00
1,2 HK pumpe alene	230	5,1	50 1320 620	2.495,00
1,2 HK pumpe alene	400	2,7	50 1320 720	2.695,00
2,0 HK pumpe alene	230	11,0	50 1320 640	5.075,00
2,0 HK pumpe alene	400	3,6	50 1320 740	5.280,00



Type:	Volt	Amp.	Varenr.	Enhedspris kr.
1,2 HK m/presscontrol	230	5,1	50 1320 420	2.950,00
2,0 HK m/presscontrol	230	11,0	50 1320 440	6.190,00

TEKNISKE DATA



TYPE	DIMENSIONS [mm]											PACKING [mm]			WEIGHT [kg]
	A	B	C	D	E	F	G	Ø	H	DNA	DNM	A	L	P	
JET 61	380	110	195	195	155	140	180	9	95	1"	1"	250	190	440	11
JET 81	380	110	195	195	155	140	180	9	95	1"	1"	250	190	440	11,2
JET 82	420	122	210	225	160	140	180	9	95	1"	1"	250	190	440	13,4
JET 101	410	110	210	195	155	140	180	9	95	1"	1"	250	190	440	13,2
JET 102	420	122	210	225	160	140	180	9	95	1"	1"	250	190	440	14,4
JET 122	420	122	210	225	160	140	180	9	95	1"	1"	250	190	440	15,4
JET 124	420	122	210	225	160	140	180	9	95	1"	1"	250	190	440	15,4
JET 152	520	160	235	285	180	180	230	11	120	1" 1/2 G	1" 1/4 G	280	250	600	30,4
JET 202	520	160	235	285	180	180	230	11	120	1" 1/2 G	1" 1/4 G	280	250	600	32,4
JET 302 M	567	160	235	285	180	180	230	11	120	1" 1/2 G	1" 1/4 G	280	250	600	37
JET 302	567	160	235	285	180	180	230	11	120	1" 1/2 G	1" 1/4 G	280	250	600	32,4

50 Hz - min⁻¹ ~ 2900

TYPE		Nominal power		Input power [W]		Capacitor 450 V max	Input current [A]			Capacity													
Single-phase	Three-phase	kW	HP	a	b	[µF]	1~230V	3~230V	3~400V	Q [m ³ /h]	Q [l/s]	Total head (m W.C.)											
a	b									H [m]													
JET 61 M	-	0,44	0,6	600	-	12,5	2,6	-	-	0	0,6	1,2	1,8	2,4	3	3,6	35,0	28,6	22,3	18,9	13,8	4,7	
JET 81 M	JET 81 T	0,59	0,8	660	610	14	3	2,2	1,4	0	10	20	30	40	50	60	37,2	30,6	24,6	20,6	16,0	6,6	
JET 82 M	-	0,59	0,8	820	-	14	3,7	-	-	0	10	20	30	40	50	60	45,0	38,0	31,0	26,0	20,0	10	
JET 101 M	JET 101 T	0,74	1	980	940	16	4,55	4,1	2,4	0	10	20	30	40	50	60	46,9	40,3	34,6	29,6	25,6	22,3	19,9
JET 102 M	JET 102 T	0,74	1	1040	1050	20	4,8	4	2,3	0	10	20	30	40	50	60	49,5	43,4	37,9	33,0	28,9	25,4	22,6
JET 122 M	JET 122 T	0,88	1,2	1130	1180	25	5,1	7,6	4,8	0	10	20	30	40	50	60	54,0	48,3	43,6	38,3	33,5	28,7	24,2
JET 124 M	JET 124 T	0,88	1,2	1260	1280	25	5,7	5,5	3,2	0	10	20	30	40	50	60	49,7	46,0	42,4	39,0	35,7	32,5	29,4

TYPE		Nominal power		Input power [W]		Capacitor 450 V max	Input current [A]			Capacity													
Single-phase	Three-phase	kW	HP	a	b	[µF]	1~230V	3~230V	3~400V	Q [m ³ /h]	Q [l/s]	Total head (m W.C.)											
a	b									H [m]													
JET 152 M	JET 152 T	1,1	1,5	1890	1820	31,5	9	6	3,5	0	1,2	3	6	7,2	8,4	9,6	45,0	42,0	36,0	27,0	21,0	18	
JET 202 M	JET 202 T	1,5	2	2380	2190	40	11	7,3	4,2	0	20	50	100	120	140	160	54,0	49,5	43,0	33,0	29,5	27	23
JET 302 M	JET 302 T	2,2	3,0	2670	2660	50	12,0	8,7	5	0	20	50	100	120	140	160	60,0	55,0	48,0	38,0	34,0	29,5	27,0

SMÅ SPECIAL PUMPER

BK 2-TRINS CENTRIFUGALPUMER

NU MED IE3 Motorer.

Støbejernspumper med "back to back" bronze-
 løbehjul for aflastning af aksialkræfter, rustfri
 akse og mekanisk akseltætning.
 For rene væsker uden slidende partikler.

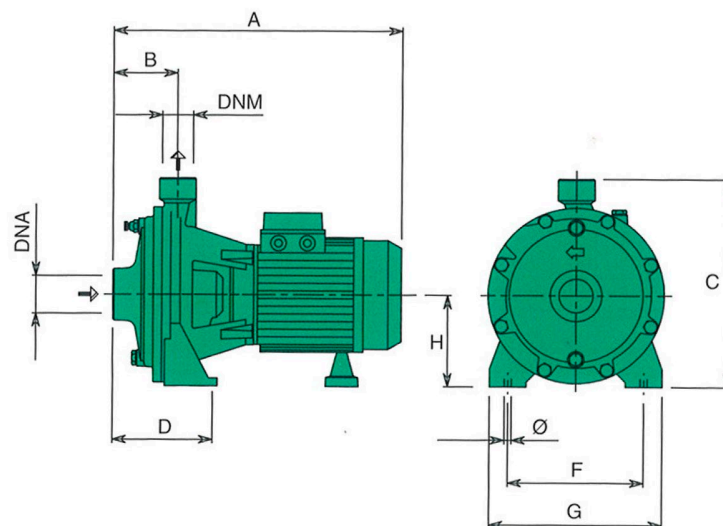


Motor	Ydelse m ³ /t							
	1,2	3,6	6,0	8,4	9,0	12,0	13,2	
HK / KW	Løftehøjde m.v.s.							
2,0 / 1,5	53	49	39	25	20			
3,0 / 2,2	60	55	46	33	30			
4,0 / 3,0	65	63	59	54	52	42	37	
5,5 / 4,0	79	78	75	69	63	56	50	

Type:	Volt	Amp.		
3,0 HK BK300T	400	5,2	50 1340 300	5.485,00
4,0 HK BK400T	400	9,0	50 1340 400	9.640,00
5,5 HK BK550T	400	10,5	50 1340 550	11.100,00

TEKNISKE DATA

SEA-LAND BASIC/BK



TIPO TYPE	DIMENSIONI [mm] DIMENSIONS [mm]										IMBALLO [mm] PACKING [mm]			PESO WEIGHT [kg]
	A	B	C	D	F	G	Ø	H	DNA	DNM	A	L	P	
BK 100	325	71	227	100	140	180	9	97	1" G	1" G	255	210	335	15,7
BK 150	395	88	284	131	185	235	9,5	125	1" 1/2G	1" G	325	265	430	26,5
BK 200	395	88	284	131	185	235	9,5	125	1" 1/2G	1" G	325	265	430	28,5
BK 300	440	88	284	131	185	235	9,5	125	1" 1/2G	1" G	290	275	470	32
BK 300 T	395	88	284	131	185	235	9,5	125	1" 1/2G	1" G	325	265	430	28,5
BK 400 M	490	103,5	312,5	160	220	270	9,5	140	2" G	1" 1/4 G	380	330	530	50
BK 400	490	103,5	312,5	160	220	270	9,5	140	2" G	1" 1/4 G	380	330	530	45
BK 550	490	103,5	312,5	160	220	270	9,5	140	2" G	1" 1/4 G	380	330	530	46,5
BK 750	496	103,5	357,5	160	240	300	13	160	2" G	1" 1/4 G	450	370	650	61

SPERONI PUMPER

SPERONI WX-A FRISTRØMSPUMPER

Anvendes til forurenede væsker med trevler og partikler. Pumpehus i Aisi 304, El-motor i aluminium IP55 - 2850 rpm, løbehjul og aksel i Aisi 304, mekanisk akseltætning SIC/SIC/VITON.

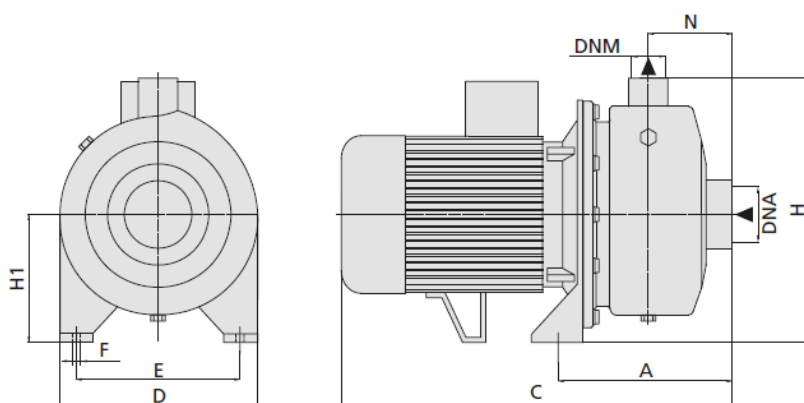
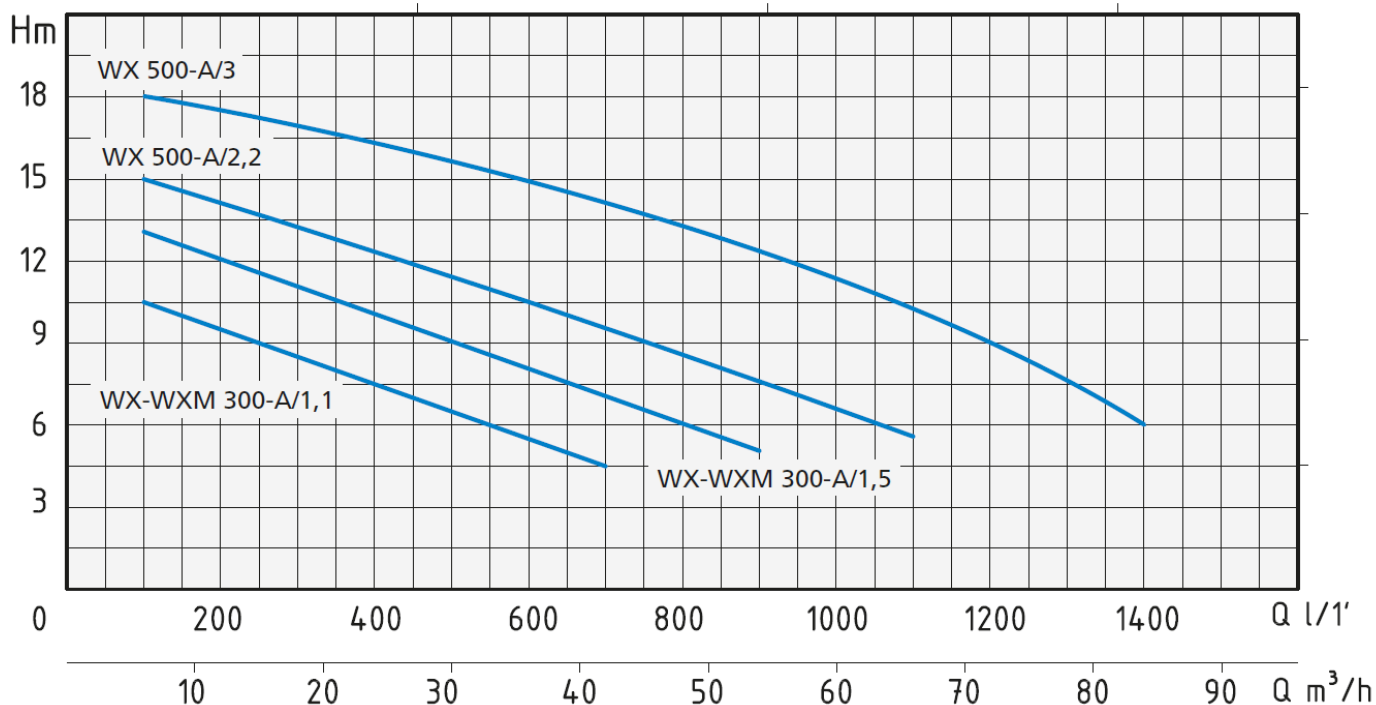
Motor	Ydelse m ³ /t									
	6	12	24	36	42	54	60	66	72	84
HK/KW	Løftehøjde m.v.s.									
1.5/1.1	10.5	9.5	7.5	5.5	4.5					
2.0/1.5	13	12	10	8	7	5				
3.0/2.2	15	14.5	12.5	10.5	9.5	7.5	6.5	5.5		
4.0/3.0	18	17.5	16	14	13	11	10	9	8	6

Type:	Volt	Amp.	Tilsl.	Varenr.	Enhedspris kr.
WXM300-A/1.1	1x230	6.8	2" / 2"	50 1335 010	4.410,00
WXM300-A/1.5	1x230	9.7	2" / 2"	50 1335 020	4.815,00
WX 300-A/1.1	3x400	3.0	2" / 2"	50 1335 030	4.085,00
WX 300-A/1.5	3x400	3.8	2" / 2"	50 1335 040	4.310,00
WX 500-A/2.2	3x400	5.0	2 1/2" - 2"	50 1335 050	5.070,00
WX 500-A/3.0	3x400	7.0	2 1/2" - 2"	50 1335 060	5.615,00



TEKNISKE DATA

SPERONI



TIPO TYPE		DIMENSIONI mm - DIMENSIONS mm										DIMENSIONI DIMENSIONS mm			PESO WEIGHT
Monofase Single-phase	Trifase Three-phase	A	C	D	E	F	H	H1	N	DNA	DNM	P	L	H	Kg
WXM 300-A/1,1	WX 300-A/1,1	170	382	193	160	11	258	125	82	2"	2"	210	400	300	16,5
WXM 300-A/1,5	WX 300-A/1,5	170	382	193	160	11	258	125	82	2"	2"	210	400	300	18
	WX 500-A/2,2	170	426	193	160	11	258	125	82	2"½	2"	210	450	300	22
	WX 500-A/3	170	426	193	160	11	258	125	82	2"½	2"	210	450	300	23

SELVANSUGENDE PUMPER

PACER PUMPER

Selvansugende Pacer pumper kan anvendes som transport/lænsepumpe for entreprenører, landbrug, industri, maskinstationer, fiskeri og bådfolk.

Løftehøjde op til 7,0 meter.

Pumpen kan fås med 2" eller 3" til-/afgang og er fremstillet i forstærket polyester.

Leveres med 3, 4 eller 5-vinget løbehjul. Se pumpe kurve på bagsiden.

Pumpekit, uden aksel



Type	Antal vinger	Løbehjul	Aksel-tætning	Metal AISI	Varenr.	Enhedspris kr.
2"	3	704	EPDM	316	50 1360 530	1.788,00
2"	5	706	EPDM	316	50 1360 550	1.788,00
3"	4	975	EPDM	316	50 1360 580	1.969,00

Med støbejerns lejebuk og rustfri aksel.



Type	Omdr.	Hjul	H max mVS	Q max m3/h	Varenr.	Enhedspris kr.
2"	2900	706	25	40	50 1360 050	5.971,00
3"	2900	975	18	49	50 1360 080	6.187,00

Med hydraulikmotor.

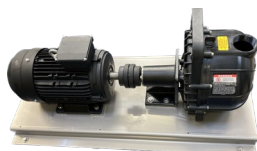


Type	Omdr.	Hjul	H max mVS	Q max m3/h	Varenr.	Enhedspris kr.
2"	3450	975	24	53	50 1360 250	8.627,00
3"	3450	975	26	64	50 1360 280	9.315,00

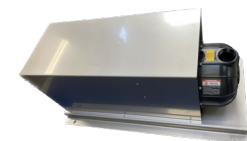
Nødv. Oliemængde: 35 l./min.

Nødv. Olietryk: 85 bar


Med Elmotor på rustfri bundramme og afskærmning.



Type	Omdr.	Hjul	H max mVS	Q max m3/h	Varenr.	Enhedspris kr.
2" - 3 kw	2900	706	25	40	50 1360 450	13.065,00
3" - 3 kw	2900	975	18	49	50 1360 480	13.280,00



SELVANSUGENDE PUMPER

HONDA PUMPER					Varenr.	Enhedspris kr.
	Den velkendte kvalitetspumpe med original Honda benzinmotor opbygget i bærame.					
	Type	Str.	Ydelse l/min.	Effekt HK		
	WB 20XT	2"	600	3,5	50 1370 020	4.316,00
	WB 30XT	3"	1100	4,5	50 1370 030	4.636,00
	WH 20XT	2"	500	4,8	50 1370 040	6.076,00





TEKNISKE DATA

Ydelsestabel HONDA pumper

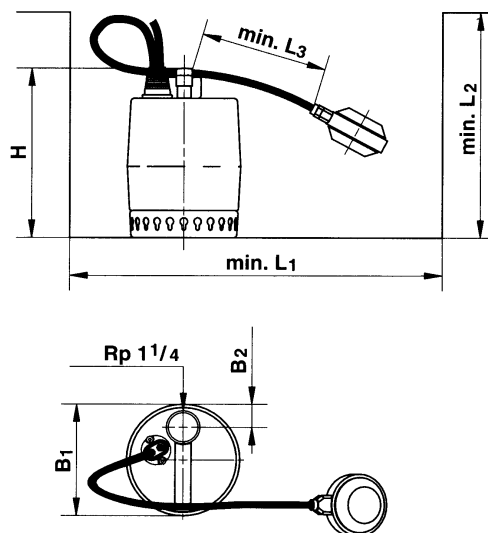
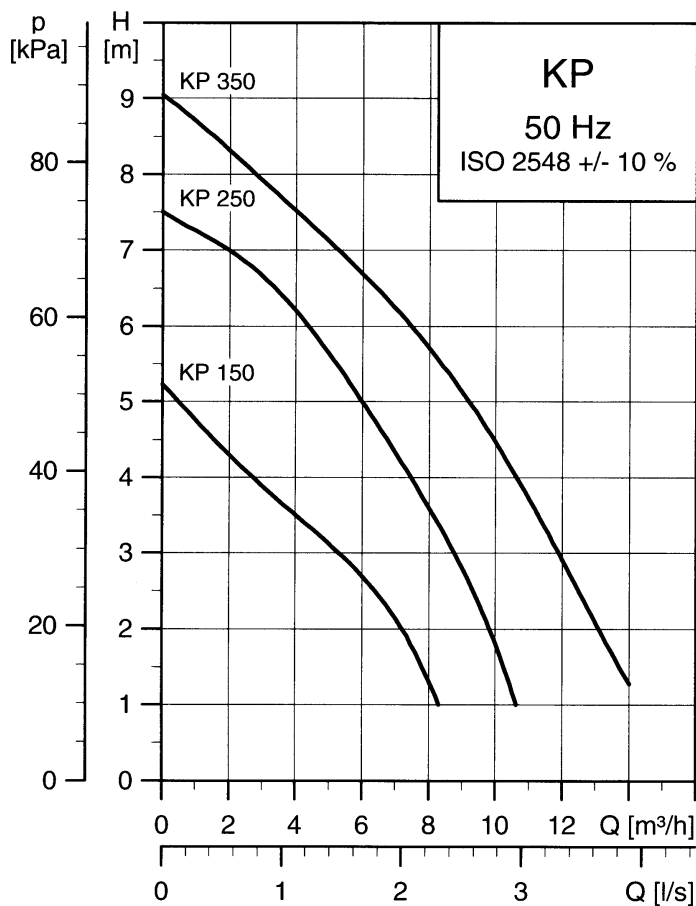
	0	6	12	18	24	30	36	42	48	54	60 m ³ /t	
WB 20XT	25	22	18	14	11	6	0					Løftehøjde mVs
WB 30XT	30	28	26	24	22	18	15	11	7	4	0	
WH 20X	50	45	41	35	23	0						

Ydelsestabel PACER pumper

	4	8	12	16	20	24	28	32	36	40	44	48	52	56	60	64 m ³ /t	
2" (el)	25	24	22	21	20	19	16	13	10	5							Løftehøjde mVs
2" (hydraulik)	35	34	33	32	31	29	27	25	22	18	13	8					
3" (el)	18	17	16	15	14	13	12	11	10	9	8	6					
3" (hydraulik)	25	24	23	22	21	20	19	18	17	16	14	13	11	9	7	6	

GRUNDFOS UNILIFT				KP		
	KP 150 0,30 KW – Afgang 1¼” Anvendelse: Rent vand, Gråt spildevand, Regnvand, Grundvand (med Vert. Niv.afbr. kun til rent vand) Temperatur: Op til 50° C			Varenr.	Enhedspris kr.	
	Amp.	Volt	Kabel mtr.	Niv.afbr.		
	2,6	1x230	10	Uden	39 1214 015	4.130,00
	2,6	1x230	5	Med	39 1215 015	4.105,00
	2,6	1x230	10	Med	39 1215 016	4.390,00
	2,6	1x230	10	Vert.	39 1215 116	4.625,00
	KP 250 0,48 KW – Afgang 1¼”					
	Amp.	Volt	Kabel mtr.	Niv.afbr.		
	5,0	1x230	10	Uden	39 1214 025	4.955,00
	5,0	1x230	5	Med	39 1215 025	4.930,00
	5,0	1x230	10	Med	39 1215 026	5.195,00
	5,0	1x230	10	Vert.	39 1215 126	5.460,00
	KP 350 0,70 KW – Afgang 1¼”					
	Amp.	Volt	Kabel mtr.	Niv.afbr.		
	6,9	1x230	10	Uden	39 1214 035	6.305,00
	6,9	1x230	5	Med	39 1215 035	6.280,00
	6,9	1x230	10	Med	39 1215 036	6.740,00
	6,9	1x230	10	Vert.	39 1215 136	7.725,00
	3,8	3x400	10	Uden	39 1216 035	6.545,00
	TILBEHØR FOR KP-PUMPER					
	Gummikontraktlap for afg. Studs 1¼”				39 1219 937	259,00
	Motorkabel m/niv.afbr. og stik KP A-1, 10 mtr.				51 3016 701	2.041,00
	Motorkabel m/stik KP M-1 faset, 10 mtr.				51 3016 702	2.112,00
	Motorkabel m/stik KP M-3 faset, 10 mtr.				51 3016 731	1.582,00
	LLC 1000W Elektrode Niveaustyring 300mm				39 1371 771	5.590,00
	LLC 1000W Elektrode Niveaustyring 1000mm				39 1371 773	7.980,00



YDELSESTABELLER



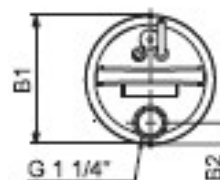
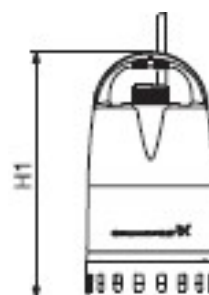
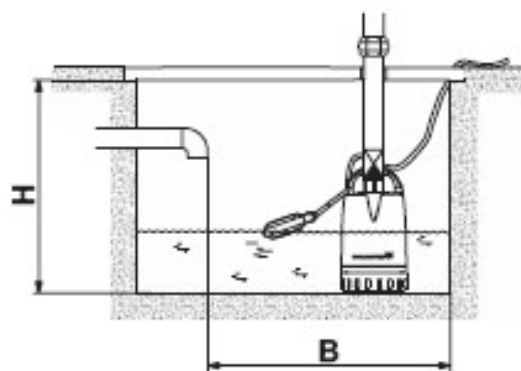
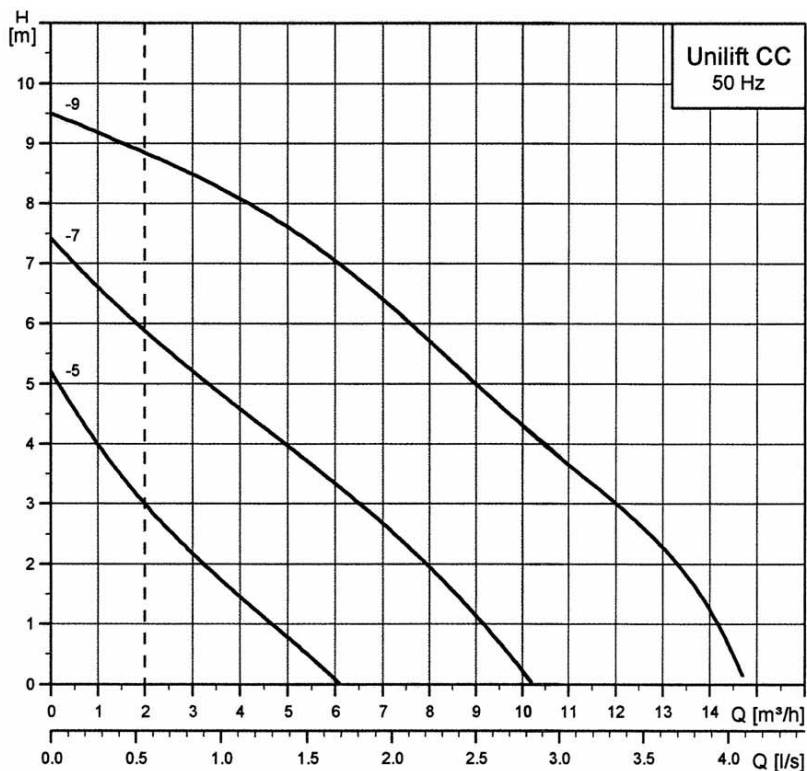
Mål og vægt

Pumpetype	Spænding	P ₁ [W]	I _n [A]	Dimensioner [mm]						Vægt op til [kg]
				H	B1	B2	L1	L2	L3	
KP 150	1 x 220-230 V	300	1,3	225	149	31	350*	400		3,3
KP 250	1 x 220-230 V	480	2,3	225	149	31	350*	400	70	7,2
KP 250	3 x 380-415 V	480	0,8	225	149	31	350*	400	70	7,2
KP 350	1 x 220-240 V	700	3,2	235	149	31	350	410	70	8,0
KP 350	3 x 380-400 V	700	1,3	235	149	31	350	410	70	8,0

* Med vertikal niveaufbryder: 250 mm.



GRUNDFOS UNILIFT					CC	
	CC5			Varenr.	Enhedspris kr.	
	0,25 KW - Afgang, adapter med 3/4", 1", 1 1/4" Leveres med kontraventil. Anvendelse: Regnvand, Gråt spildevand, vaskemaskiner, bad, vaskekummer, kældre, drænbrønde, damme, springvand. Kan pumpe ned til en vandstand på 3 mm ved at afmontere indløbsien. Temperatur: Op til 40° C					
	Amp.	Volt	Kabel mtr.			Niv.afbr.
	0,98	1x230	10			Uden
	0,98	1x230	10	Med	39 1280 351	2.695,00
	CC7			Varenr.	Enhedspris kr.	
	0,38 KW - Afgang, adapter med 3/4", 1", 1 1/4" Leveres med kontraventil.					
	Amp.	Volt	Kabel mtr.			Niv.afbr.
	1,8	1x230	10			Uden
	1,8	1x230	10	Med	39 1280 371	3.120,00
CC9			Varenr.	Enhedspris kr.		
0,78 KW - Afgang, adapter med 3/4", 1", 1 1/4" Leveres med kontraventil.						
Amp.	Volt	Kabel mtr.			Niv.afbr.	
3,5	1x230	10			Uden	39 1280 191
3,5	1x230	10	Med	39 1280 391	4.035,00	
TILBEHØR TIL CC PUMPER			Varenr.	Enhedspris kr.		
LLC 1000W Elektrode Niveaustyring 300mm					39 1371 771	5.590,00
LLC 1000W Elektrode Niveaustyring 1000mm					39 1371 773	7.980,00
						

YDELSESTABELLER

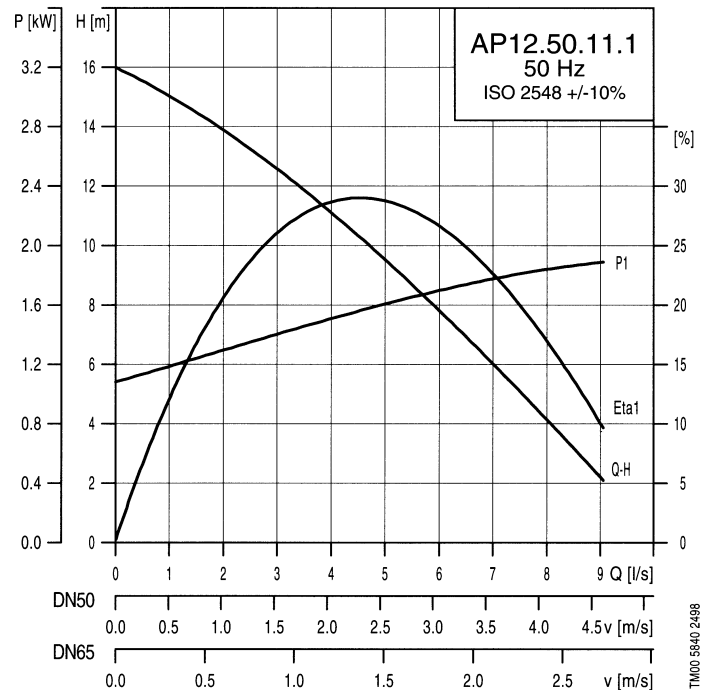
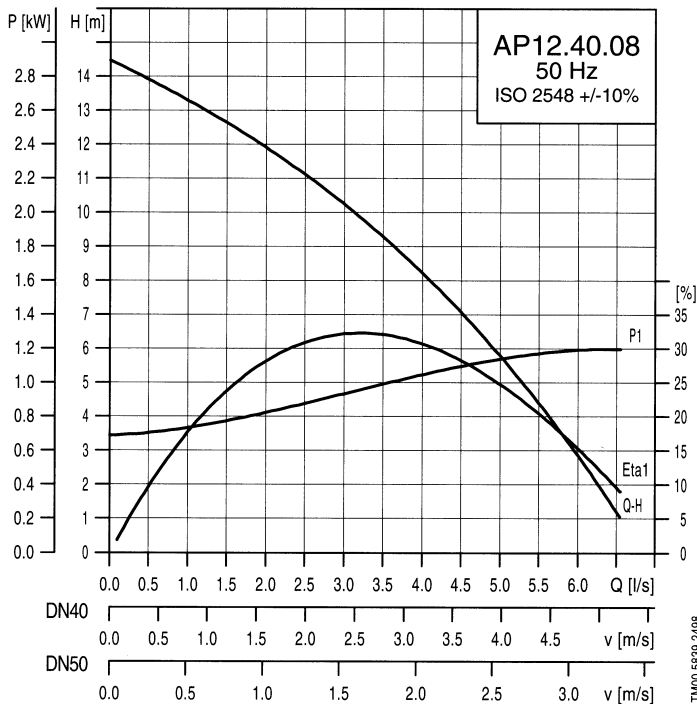
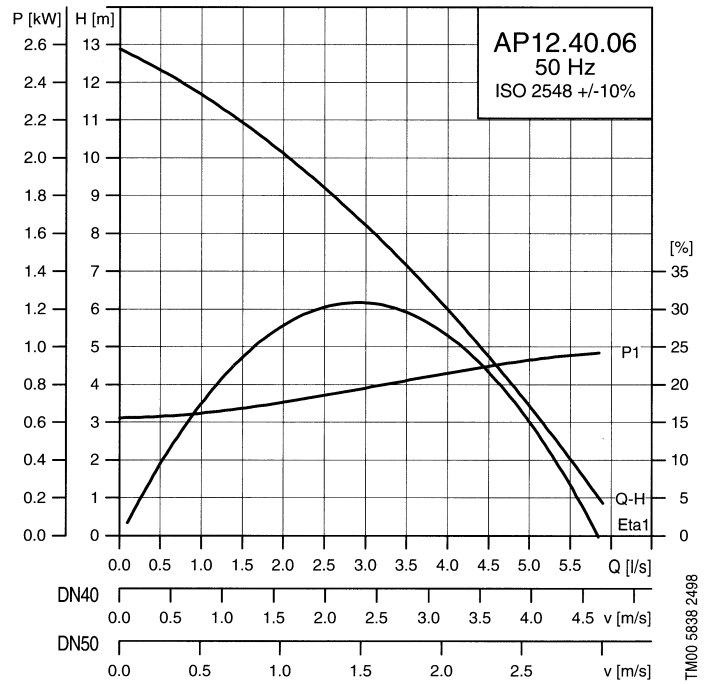
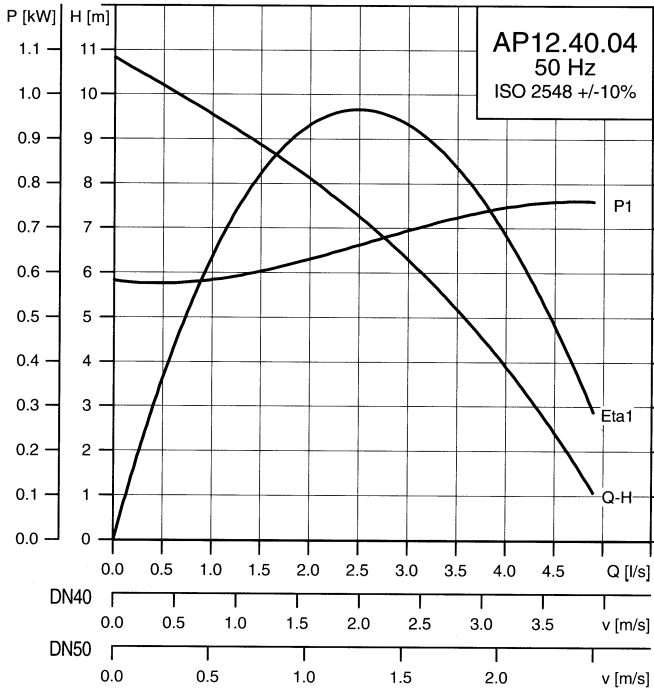



Technical data

Pump type	Voltage [V]	P ₁ [W]	I _m [A]	Dimensions [mm]					Weight [kg]
				H	B	H1	B1	B2	
Unilift CC 5	1 x 220/240	240	1.1	520	400	305	160	26.5	4.35
Unilift CC 7	1 x 220/240	380	1.7	520	400	305	160	26.5	4.6
Unilift CC 9	1 x 220-240	780	3.7	570	500	340	160	26.5	6.5

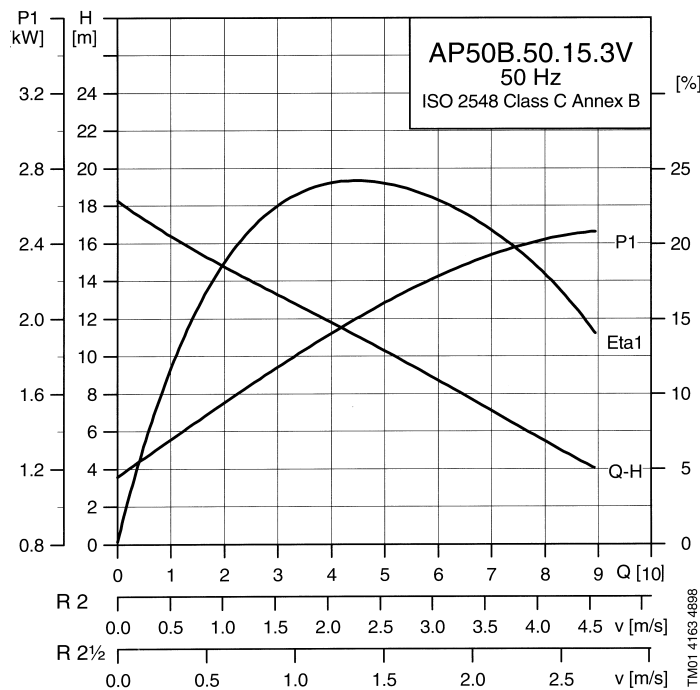
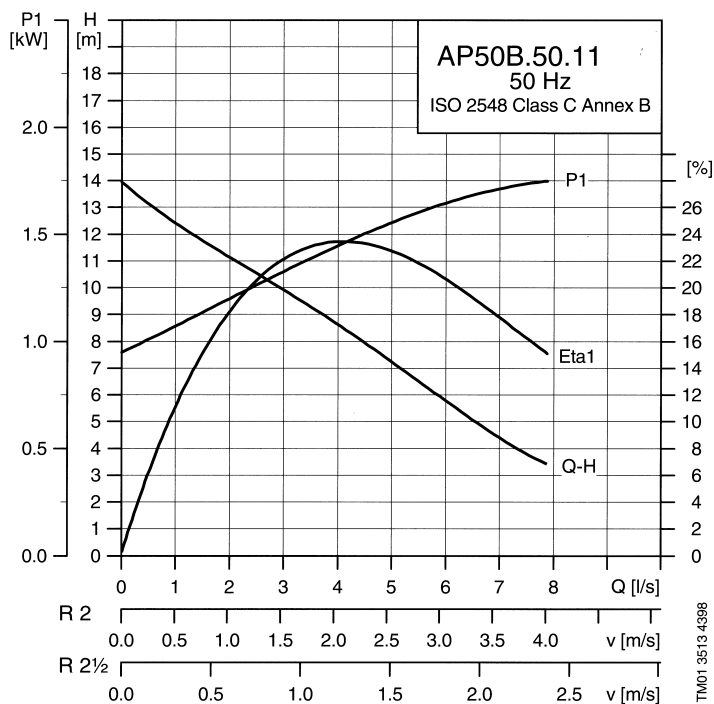
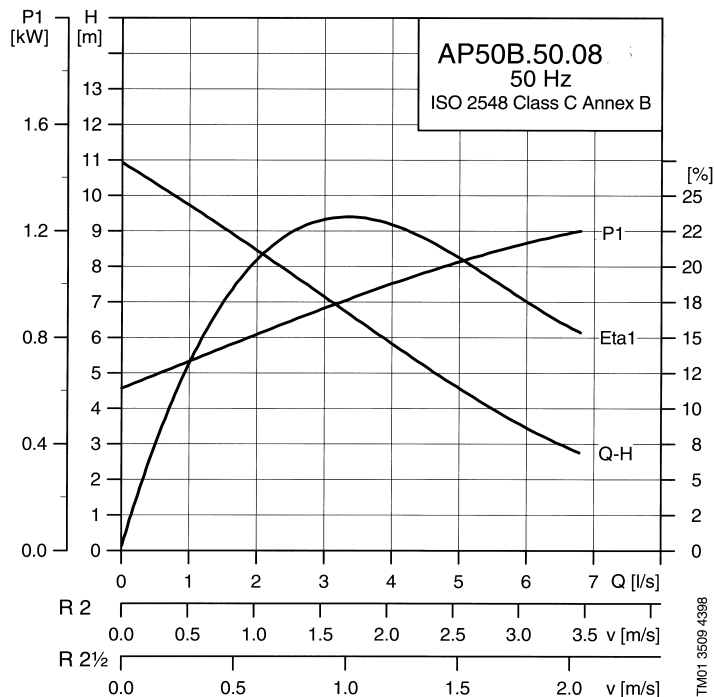
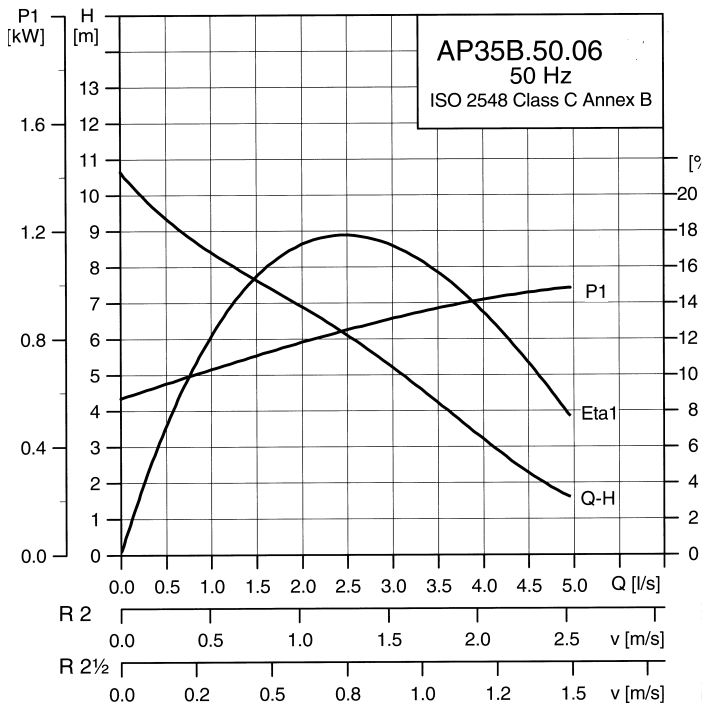
GRUNDFOS AFLØBSPUMPER, RUSTFRI					AP	
	AP 12.40.04			Varenr.	Enhedspris kr.	
	0,40 KW – Afgang 1½”					
	Anvendelse: Grundvandssænkning, drænbrønde, overfladevand samt tømning af bassiner, tanke m.m.					
	Amp.	Volt	Kabel mtr.	Niv.afbr.		
	3,0	1x230	10	Med	39 1313 301	8.005,00
	3,0	1x230	10	Uden	39 1313 101	7.395,00
	AP 12.40.06					
	0,60 KW – Afgang 1½”					
	Amp.	Volt	Kabel mtr.	Niv.afbr.		
	4,4	1x230	10	Med	39 1313 311	8.510,00
4,4	1x230	10	Uden	39 1313 111	7.710,00	
1,6	3x400	10	Med	39 1314 311	9.400,00	
1,6	3x400	10	Uden	39 1314 111	7.460,00	
	AP 12.40.08			Varenr.	Enhedspris kr.	
	0,80 KW – Afgang 1½”					
	Amp.	Volt	Kabel mtr.	Niv.afbr.		
	5,9	1x230	10	Med	39 1313 331	9.550,00
	5,9	1x230	10	Uden	39 1313 131	8.745,00
	2,1	3x400	10	Med	39 1314 331	10.250,00
	2,1	3x400	10	Uden	39 1314 131	8.440,00
	AP 12.50.11					
	1,10 KW – Afgang 2”					
	Amp.	Volt	Kabel mtr.	Niv.afbr.		
8,5	1x230	10	Med	39 1313 312	13.305,00	
8,5	1x230	10	Uden	39 1313 112	12.345,00	
3,2	3x400	10	Med	39 1314 312	13.785,00	
3,2	3x400	10	Uden	39 1314 112	11.910,00	
	TILBEHØR FOR AP PUMPER			Varenr.	Enhedspris kr.	
	Gummikontraklap for afg.studs 1½”					
					39 1377 911	1.145,00
	Niv.afbr. m/stik AP 12, 35, 50				51 3054 8101	1.382,00
	Motorkabel m/stik AP-1 faset				51 3058 6335	2.176,00
	Motorkabel m/stik AP-3 faset				51 3054 8100	2.747,00
	LLC 1000W Elektrode Niveaustyring 300mm				39 1371 771	5.590,00
	LLC 1000W Elektrode Niveaustyring 1000mm				39 1371 773	7.980,00

YDELSESTABELLER



GRUNDFOS AFLØBSPUMPER, RUSTFRI					AP	
	AP 35B.50.06				Varenr.	Enhedspris kr.
	0,60 KW – Afgang 2"					
	Anvendelse: Grundvandssænkning, drænbrønde, overfladevand, tømning af bassiner, tanke m.m., pumpning af spildevand m.m., afvanding af byggepladser og udgravninger. Landbrugs-, gartneri- og industriformål.					
	Amp.	Volt	Kabel mtr.	Niv.afbr.		
	4,40	1x230	5	Med	39 1270 312	6.255,00
	4,40	1x230	10	Uden	39 1270 112	5.855,00
	1,55	3x400	5	Uden	39 1271 112	6.430,00
	AP 50B.50.08					
	0,80 KW – Afgang 2"					
	Amp.	Volt	Kabel mtr.	Niv.afbr.		
	5,37	1x230	5	Med		
	5,37	1x230	10	Uden	39 1272 112	9.115,00
	1,95	3x400	5	Uden	39 1273 112	8.965,00
	AP 50B.50.11					
	1,20 KW – Afgang 2"					
Amp.	Volt	Kabel mtr.	Niv.afbr.			
8,00	1x230	5	Med	39 1272 332		
8,00	1x230	10	Uden	39 1272 132	11.265,00	
2,81	3x400	5	Uden	39 1273 132	10.570,00	
AP 50B.50.15						
1,50 KW – Afgang 2"						
Amp.	Volt	Kabel mtr.	Niv.afbr.			
3,0	3x400	5	Uden	39 1273 152	12.415,00	
TILBEHØR FOR APB PUMPER						
Motorkabel m/niv.afbr.og stik APB A-1, 10 mtr						
Motorkabel m/stik APB-1 faset, 10 mtr.						
Motorkabel m/stik APB-3 faset, 10 mtr.						
LLC 1000W Elektrode Niveaustyring 300mm						
LLC 1000W Elektrode Niveaustyring 1000mm						

YDELSESTABELLER





ZENIT SPILDEVANDSPUMPER M/KNIVSKÆR

		Varenr.	Enhedspris kr.																												
	ZENIT spildevandspumper i robust støbejern m. knivsystem for findeling af større partikler. Med 2 mekaniske tætninger i oliekommer. Velegnet til kloakering i det åbne land, samt for ajle og spildevand i landbrugssektoren.																														
	GR BLUE PRO 100/2/G40 0,74 KW/2900 omdr. – Afgang 1½” - DN32																														
	<table border="1"> <thead> <tr> <th>Amp</th> <th>Volt</th> <th>Kabel mtr.</th> <th>Niv.afbr.</th> </tr> </thead> <tbody> <tr> <td>5,5</td> <td>1 x 230</td> <td>10</td> <td>Med</td> </tr> <tr> <td>2,7</td> <td>3 x 400</td> <td>10</td> <td>Med</td> </tr> <tr> <td>2,7</td> <td>3 x 400</td> <td>10</td> <td>Uden</td> </tr> </tbody> </table>	Amp	Volt	Kabel mtr.	Niv.afbr.	5,5	1 x 230	10	Med	2,7	3 x 400	10	Med	2,7	3 x 400	10	Uden														
	Amp	Volt	Kabel mtr.	Niv.afbr.																											
	5,5	1 x 230	10	Med																											
2,7	3 x 400	10	Med																												
2,7	3 x 400	10	Uden																												
	50 1401 210	9.455,00																													
	50 1401 205	9.095,00																													
	50 1401 200	9.010,00																													
  	GRG ZENIT Spildevandspumper GREY serien er særdeles robuste støbejernspumper med separat oliekommer med 2 mekaniske tætninger, termistor indbygget og vand i olie sensor. Indløb med knivskær.																														
	3 x 400V/2900 Omdr. – Afgang 2” *GRG250 Afgang 1½” – DN32 og er uden termistor og vand i olie sensor.																														
	<table border="1"> <thead> <tr> <th>Type</th> <th>KW</th> <th>Amp</th> <th>Kabel</th> </tr> </thead> <tbody> <tr> <td>GRG 250*</td> <td>1,8</td> <td>3,7</td> <td>10</td> </tr> <tr> <td>GRG 300</td> <td>2,2</td> <td>4,62</td> <td>10</td> </tr> <tr> <td>GRG 400</td> <td>3,0</td> <td>6,36</td> <td>10</td> </tr> <tr> <td>GRG 550</td> <td>4,0</td> <td>7,73</td> <td>10</td> </tr> <tr> <td>GRG 750</td> <td>5,5</td> <td>10,80</td> <td>10</td> </tr> <tr> <td>GRG 1000</td> <td>7,5</td> <td>13,70</td> <td>10</td> </tr> </tbody> </table>	Type	KW	Amp	Kabel	GRG 250*	1,8	3,7	10	GRG 300	2,2	4,62	10	GRG 400	3,0	6,36	10	GRG 550	4,0	7,73	10	GRG 750	5,5	10,80	10	GRG 1000	7,5	13,70	10		
	Type	KW	Amp	Kabel																											
	GRG 250*	1,8	3,7	10																											
	GRG 300	2,2	4,62	10																											
	GRG 400	3,0	6,36	10																											
	GRG 550	4,0	7,73	10																											
	GRG 750	5,5	10,80	10																											
	GRG 1000	7,5	13,70	10																											
Uden niveaueafbryder.																															
Fod A	50 1450 010	519,00																													
Koblingsfod incl. Adapter og fæste 2”+2½” RG indv – Afgang. DN32 og DN50 på pumpe siden.	50 1450 050	2.669,00																													

SPECIFIKATIONER

	Ydelse m3 / time	0	3.6	7.2	10.8	14.4	16.2						
	Ydelse liter / min	0	60	120	180	240	270						
	Ydelse liter / Sekund	0	1.0	2.0	3.0	4.0	4.5						
GR BLUE PRO 100/2/40	løfte højde m.v.s.	18.0	16.4	14.4	11.5	6.9	3.0						
	Ydelse m3 / time	0	1.8	3.6	5.4	7.2	9.0	10.8	12.6	14.4	16.2	18.0	19.8
	Ydelse liter / min	0	30	120	90	240	150	180	210	240	270	300	330
	Ydelse liter / Sekund	0	0.5	1	1.5	2.0	2.5	3.0	3.5	4.0	4.5	5.0	5.5
GRG 250	løfte højde m.v.s.	28.5	28.2	27.5	26.5	25.4	24.1	22.7	21.2	19.4	17.3	14.9	13.0
	Ydelse m3 / time	0	3.6	7.2	10.8	14.4	18	21.6	25.2	28.8	30.6		
	Ydelse liter / min	0	60	120	180	240	300	360	420	480	510		
	Ydelse liter / Sekund	0	1	2	3	4	5	6	7	8	8.5		
GRG 300	løfte højde m.v.s.	30.3	29.3	27.9	26.1	24	21.6	18					
GRG 400	løfte højde m.v.s.	35.8	34.8	33	31.1	28.5	25.3	21.8	17.7				
GRG 550	løfte højde m.v.s.	45.1	44.4	42.8	40.6	38.1	35.3	32					
GRG 750	løfte højde m.v.s.	46.6	45.9	44.6	42.8	40.8	38.5	35.8	32.4	27.9	25		
GRG 1000	løfte højde m.v.s.	53.7	52.9	51.6	48.2	48.2	46	43.3	39.8	35.2	32		



ZENIT SPILDEVANDSPUMPER M/FRISTRØMSHJUL

	DRAGA - DGO					Varenr.	Enhedspris kr.
	ZENIT Spildevandspumper DGO serien er robuste støbejerns pumper med motor i oliebad, samt dobbelt mekanisk akseltætning.						
	1x230V, 5 mtr. Kabel. Afgang 2"						
	Type	KW	Amp	RPM	Niv.		
	DGO50/2/50	0,37	2,90	2900	Uden	50 1404 055	5.580,00
	DGO50/2/50A	0,37	2,90	2900	Med	50 1404 060	5.955,00
	DGO150/2/50	1,10	8,20	2900	Uden	50 1404 155	9.855,00
	DGO150/2/50A	1,10	8,20	2900	Med	50 1404 160	10.225,00
	Fri passage 38 mm						
	3x400V, 5 mtr. Kabel. Afgang 2"						
	Type	KW	Amp	RPM	Niv.		
DGO50/2/50	0,37	0,94	2900	Uden	50 1404 050	4.830,00	
DGO150/2/50	1,10	2,50	2900	Uden	50 1404 150	9.070,00	
Fri passage 38 mm							
3x400V, 5 mtr. Kabel. Afgang DN80							
Type	KW	Amp	RPM	Niv.			
DGO150/4/80	0,90	2,80	1450	Uden	50 1404 180	11.860,00	
DGO200/2/80	1,70	3,90	2900	Uden	50 1404 200	12.330,00	
Fri passage 60 mm							
  	Zenit DGG						
	ZENIT Spildevandspumper GREY serien er særdeles robuste støbejernspumper med separat oliekommer med 2 mekaniske tætninger, termistor indbygget og vand i olie sensor. Åbent Fristrømsjul.						
	3x400V, 10 mtr. Kabel, Uden Niveauafbryder						
	Type	KW	Amp	RPM	Fod		
	DGG200/4/80	1,5	3,4	1450	B	50 1414 240	19.100,00
	DGG300/4/80	2,2	5,15	1450	B	50 1414 250	21.325,00
	DGG300/2/80	2,2	4,62	2950	A	50 1414 215	17.475,00
	DGG550/4/100	4,0	8,4	1450	B	50 1414 330	36.395,00
	DGG750/4/100	5,5	11,8	1450	B	50 1414 335	48.900,00
	DGG1200/4/100	9,0	17	1450	B	50 1414 340	54.065,00
	DGG1500/4/100	11	20,5	1450	B	50 1414 345	69.900,00
	DGG1500/4/150	11	20,5	1450	C	50 1414 415	81.070,00
	DGG2000/4/150	15	30,8	1450	C	50 1414 420	89.970,00
	A	Fod til Zenit				50 1450 010	519,00
	B	Fod til Zenit				50 1450 012	1.805,00
C	Fod til Zenit				50 1450 017	11.125,00	
DN80 Koblingsfod incl. Adapter og topfæste					50 1450 080	4.227,00	
DN100 Koblingsfod incl. Adapter og topfæste					50 1450 100	4.770,00	
DN150 Koblingsfod incl. Adapter og topfæste					50 1450 151	20.130,00	

SPECIFIKATIONER

	Ydelse m3 / time	0	3.6	7.2	10.8	14.4	18	21.6	25.2	28.8	32.4	36			
	Ydelse liter / minut	0	60	120	180	240	300	360	420	480	540	600			
	Ydelse liter / Sekund	0	1	2	3	4	5	6	7	8	9	10			
DGO 50/2/50 (alle)	Løftehøjde m.v.s	6.0	5.1	4.5	3.8	2.3	0.9								
DGO 150/2/50 (alle)	Løftehøjde m.v.s	14.2	13	11.8	10.9	9.5	8.2	7.3	6.1	5.1	4.0	2.7			
	Ydelse m3 / time	0	7.2	14.4	21.6	28.8	36	43.2	50.4	57.6	64.8				
	Ydelse liter / minut	0	120	240	360	480	600	720	840	960	1080				
	Ydelse liter / Sekund	0	2	4	6	8	10	12	14	16	18				
DGO 150/4/80	Løftehøjde m.v.s	5.4	5.1	4.7	4.3	3.8	3.4	2.8	2.3	1.7	1.1				
DGO 200/2/80	Løftehøjde m.v.s	8.4	7.9	7.2	6.4	5.5	4.5	3.6	2.6	1.7					
	Ydelse m3 / time	0	14.4	28.8	43.2	57.6	72.0	79.2	86.4	100.8	115.2	129.6	144.0	158.4	
	Ydelse liter / minut	0	240	480	720	960	1200	1320	1440	1680	1920	2160	2400	2640	
	Ydelse liter / Sekund	0	4	8	12	16	20	22	24	28	32	36	40	44	
DGG 200/4/80	Løftehøjde m.v.s	9.6	8.8	7.0	5.0	3.2	1.7	1							
DGG 300/4/80	Løftehøjde m.v.s	11.3	10.4	9.0	7.4	5.6	3.8	3							
DGG 300/2/80	Løftehøjde m.v.s	9.7	6.7	5.6	4.2	2.6									
DGG 550/4/100	Løftehøjde m.v.s	11.7	11.3	10.6	9.7	8.6	7.6	7.0	6.4	5.3	4.2	3.2	2.3	1.4	
	Ydelse m3 / time	0	28.8	57.6	86.4	115.2	144.0	172.8	201.6	230.4	259.2	288	316.8	345.6	
	Ydelse liter / minut	0	480	960	1440	1920	2400	2880	3360	3840	4320	4800	5280	5760	
	Ydelse liter / Sekund	0	8	16	24	32	40	48	56	64	72	80	88	96	
DGG 750/4/100	Løftehøjde m.v.s	13.5	12.1	10.4	8.5	6.6	4.4	2.3							
DGG 1200/4/100	Løftehøjde m.v.s	20.3	18.8	17.2	15	12.3	9.3	6.5	3.8						
DGG 1500/4/100	Løftehøjde m.v.s	22.7	21.1	19.6	17.6	15	12.1	9.2	6.4	3.6					
	Ydelse m3 / time	0	28.8	57.6	86.4	115.2	144	172.8	201.6	230.4	259.2	288	316.8	345.6	374.4
	Ydelse liter / minut	0	480	960	1440	1920	2400	2880	3360	3840	4320	4800	5280	5760	6240
	Ydelse liter / sekund	0	8	16	24	32	40	48	56	64	72	80	88	96	104
DGG 1500/4/150	Løftehøjde m.v.s	13.3	12.4	11.8	11.4	10.9	10.2	9.2	8	6.5	4.8	3.3	1.9	1.0	
DGG 2000/4/150	Løftehøjde m.v.s	16.2	15.2	14.5	13.9	13.3	12.6	11.7	10.6	9.2	7.7	6.2	4.6	3.3	2.3

ZENIT SPILDEVANDSPUMPER M/KANALHJUL

		DRG					Varenr.	Enhedspris kr.
	ZENIT Spildevandspumper GREY serien er særdeles robuste støbejernspumper med separat oliekammer med 2 mekaniske tætninger, termistor indbygget og vand i olie sensor. Halvåbent 2-vinget kanalløbehjul.							
	3x400V, 10 mtr. Kabel					6 pol		
		KW	AmP	RPM	Afg.	Fod		
	550/6/150	4,0	9,3	950	DN150	E	50 1416 415	62.480,00
	750/6/150	5,5	17,3	950	DN150	E	50 1416 420	68.070,00
	1000/6/150	7,5	26,9	950	DN150	E	50 1416 425	90.025,00
	Fri passage 80 mm							
	3x400V, 10 mtr. Kabel					4 pol		
		KW	AmP	RPM	Afg.	Fod		
	200/4/80	1,5	3,4	1450	DN80	B	50 1416 245	19.650,00
300/4/80	2,2	5,15	1450	DN80	B	50 1416 250	23.050,00	
300/4/100	2,2	5,15	1450	DN100	B	50 1416 305	23.205,00	
400/4/100	3,0	6,72	1450	DN100	B	50 1416 315	26.125,00	
550/4/100	4,0	8,4	1450	DN100	B	50 1416 325	34.480,00	
750/4/80	5,5	11,8	1450	DN80	D	50 1416 265	41.145,00	
1200/4/100	9	17,0	1450	DN100	D	50 1416 330	52.915,00	
1200/4/150	9	17,0	1450	DN150	D	50 1416 400	66.800,00	
1500/4/150	11,0	20,5	1450	DN150	D	50 1416 405	79.095,00	
Fri passage 45 – 80 mm								
3x400V, 10 mtr. Kabel					2 pol			
	KW	AmP	RPM	Afg.	Fod			
250/2/80	1,8	3,7	2900	DN80	C	50 1416 200	11.895,00	
300/2/80	2,2	4,62	2900	DN80	C	50 1416 205	16.975,00	
400/2/80	3,0	6,36	2900	DN80	C	50 1416 210	18.785,00	
550/2/80P	4,0	7,73	2900	DN80	C	50 1416 215	24.700,00	
750/2/80A	5,5	10,8	2900	DN80	A	50 1416 225	34.695,00	
2000/2/80W	15,0	26,8	2900	DN80	D	50 1416 291	62.250,00	
2500/2/80W	18,5	32,9	2900	DN80	D	50 1416 292	76.450,00	
Fri passage 35 - 55 mm								
	A	Fod til Zenit				50 1450 010	519,00	
	B	Fod til Zenit				50 1450 012	1.805,00	
	C	Fod til Zenit				50 1450 013	434,00	
	D	Fod til Zenit				50 1450 016	7.525,00	
	E	Fod til Zenit				50 1450 015	4.377,00	
	DN80 Koblingsfod incl. Adapter og topfæste					50 1450 080	4.227,00	
	DN100 Koblingsfod incl. Adapter og topfæste					50 1450 100	4.770,00	
	DN150 Koblingsfod incl. Adapter og topfæste					50 1450 151	20.130,00	

	Ydelse m3 /time	0	36	72	108	144	180	216	252	288	324	360	396	432	
	Ydelse liter/minut	0	600	1200	1800	2400	3000	3600	4200	4800	5400	6000	6600	7200	
	Ydelse liter/sek.	0	10	20	30	40	50	60	70	80	90	100	110	120	
DRG 550/6/150	Løftehøjde m.v.s.	7,9	7,2	6,9	6,4	5,8	5,2	4,5	3,8	3	2	0,9	max 103 L/s=0,7		
DRG 750/6/150	Løftehøjde m.v.s.	11,9	10,8	9,7	8,9	8,2	7,5	6,7	5,8	4,8	3,8	2,6	max 111 L/s=0,8		
DRG 1000/6/150	Løftehøjde m.v.s.	14,9	13,8	12,4	11,4	10,6	9,9	9,2	8,2	7,2	6,1	4,9	3,6	2,4	
													max 130 L/s=0,9		
	Ydelse m3 /time	0	14,4	28,8	43,2	57,6	72	86,4	100,8	115,2	129,6	144	158	173	201,6
	Ydelse liter/minut	0	240	480	720	960	1200	1440	1680	1920	2160	2400	2640	2880	3360
	Ydelse liter/sek.	0	4	8	12	16	20	24	28	32	36	40	44	48	56
DRG 200/4/80	Løftehøjde m.v.s.	8.6	7.7	6.7	5.6	4.4	2.9	1.3							
DRG 300/4/80	Løftehøjde m.v.s.	12.8	11.6	10.2	8.8	7.5	6.3	4.9	3.4	1.6					
DRG 300/4/100	Løftehøjde m.v.s.	9.9	9.2	8.4	7.5	6.6	5.7	4.7	3.5	2.3	1.0				
DRG 400/4/100	Løftehøjde m.v.s.	11.8	11.1	10.2	9.2	8.3	7.3	6.4	5.4	4.3	3.0	1.6			
	Ydelse m3/time	0	28,8	57,6	86,4	115,2	144	173	201,6	230,4	259,2	288			
	Ydelse liter/minut	0	480	960	1440	1920	2400	2880	3360	3840	4320	4800			
	Ydelse liter/sek.	0	8	16	24	32	40	48	56	64	72	80			
DRG 550/4/100	Løftehøjde m.v.s.	15.6	12.5	11.2	10	8.8	7.4	5.8	4.2	max 62 L/s=2,5mvs					
DRG 750/4/80	Løftehøjde m.v.s.	18.4	16	14.3	12.5	10.3	7.7	4.9	2	max 58 L/s=1.0mvs					
DRG 1200/4/100	Løftehøjde m.v.s.	22.4	20	18	16.4	14.8	13.3	11.6	9.6	7.2	4.4	1.3			
	Ydelse m3/time	0	43,2	86,4	129,6	172,8	216	259	302,4	345,6	388,8	432			
	Ydelse liter/minut	0	720	1440	2160	2880	3600	4320	5040	5760	6480	7200			
	Ydelse liter/sek.	0	12	24	36	48	60	72	84	96	108	120			
DRG 1200/4/150	Løftehøjde m.v.s.	13	12.6	11.9	10.9	9.9	8.6	7.3	5.9	4.5	2.9	1.3			
DRG 1500/4/150	Løftehøjde m.v.s.	17.1	16.4	15.5	14.3	12.8	11.2	9.5	7.8	6.1	4.4	2.5			
	Ydelse m3/time	0	14,4	28,8	43,2	57,6	72	86,4	100,8	115,2	129,6	144	158		
	Ydelse liter/minut	0	240	480	720	960	1200	1440	1680	1920	2160	2400	2640		
	Ydelse liter/sek.	0	4	8	12	16	20	24	28	32	36	40	44		
DRG 250/2/80	Løftehøjde m.v.s.	17	13.4	11.3	9.2	6.6	4	1.3	max 25 L/s=0.5						
DRG 300/2/80	Løftehøjde m.v.s.	18.4	15.9	13.6	11.4	9.1	6.9	4.7	max 25 L/s=4.2						
DRG 400/2/80	Løftehøjde m.v.s.	23.5	20.3	17.7	15.1	12.4	9.9	6.6	3.8						
DRG 550/2/80 A	Løftehøjde m.v.s.	21.2	18.8	16.4	14.2	12.2	10.5	9	7.4	5	1.6				
DRG 750/2/80 A	Løftehøjde m.v.s.	27	24.7	22	19.3	16.9	14.7	12.8	10.8	8.6	6.0	2.6			
	Ydelse m3/time	0	14,4	28,8	43,2	57,6	72	86,4	100,8	115,2	129,6	144	158	173	180
	Ydelse liter/minut	0	240	480	720	960	1200	1440	1680	1920	2160	2400	2640	2880	3000
	Ydelse liter/sek.	0	4	8	12	16	20	24	28	32	36	40	44	48	50
DRG 2000/2/80W	Løftehøjde m.v.s.	46	42	39.3	37.3	35.6	33.8	31.9	30.0	27.6	25.3	23.2	20.7	18.3	17.2
DRG 2500/2/80W	Løftehøjde m.v.s.	54.5	52.3	49.6	47.2	44.5	42.1	39.9	37.9	36.2	33.3	30.7	28.0	25.2	24.1
DRG 2000/2/80W	Løftehøjde m.v.s.	Max 66 L/s= 5mvs													
DRG 2500/2/80W	Løftehøjde m.v.s.	Max 69 L/s= 8mvs													

ZENIT SMÅ SPILDEVANDSPUMPER

		Varenr.	Enhedspris kr.																														
	DG BLUE 100/2/G40 0,74 KW/2900 omdr. – Afgang 1½” RG Fri passage 40mm med fristrøms-hjul																																
	<table border="1"> <thead> <tr> <th>Amp</th> <th>Volt</th> <th>Kabel mtr.</th> <th>Niv.afbr.</th> </tr> </thead> <tbody> <tr> <td>5,6</td> <td>1 x 230</td> <td>5</td> <td>Med</td> </tr> </tbody> </table>	Amp	Volt	Kabel mtr.	Niv.afbr.	5,6	1 x 230	5	Med	50 1400 450	4.550,00																						
	Amp	Volt	Kabel mtr.	Niv.afbr.																													
5,6	1 x 230	5	Med																														
DG STEEL 55/2A M50 0,55 KW/2900 omdr. – Afgang 1½” RG Fri passage 40mm med fristrøms-hjul																																	
	<table border="1"> <thead> <tr> <th>Amp</th> <th>Volt</th> <th>Kabel mtr.</th> <th>Niv.afbr.</th> </tr> </thead> <tbody> <tr> <td>2,7</td> <td>1 x 230</td> <td>10</td> <td>Med</td> </tr> </tbody> </table>	Amp	Volt	Kabel mtr.	Niv.afbr.	2,7	1 x 230	10	Med	50 1400 920	4.730,00																						
	Amp	Volt	Kabel mtr.	Niv.afbr.																													
2,7	1 x 230	10	Med																														
	DR BLUE 40/2/G32 0,3 KW/2900 omdr. – Afgang 1¼” RG Fri passage 7mm med kanalhjul																																
	<table border="1"> <thead> <tr> <th>Amp</th> <th>Volt</th> <th>Kabel mtr.</th> <th>Niv.afbr.</th> </tr> </thead> <tbody> <tr> <td>2,3</td> <td>1 x 230</td> <td>5</td> <td>Med</td> </tr> </tbody> </table>	Amp	Volt	Kabel mtr.	Niv.afbr.	2,3	1 x 230	5	Med	50 1400 100	2.525,00																						
	Amp	Volt	Kabel mtr.	Niv.afbr.																													
	2,3	1 x 230	5	Med																													
	DR BLUE PRO 200/2/G50 1,5 KW/2900 omdr. – Afgang 2” RG Fri passage 40mm kanalhjul																																
<table border="1"> <thead> <tr> <th>Amp</th> <th>Volt</th> <th>Kabel mtr.</th> <th>Niv.afbr.</th> </tr> </thead> <tbody> <tr> <td>4,3</td> <td>3 x 400</td> <td>10</td> <td>Uden</td> </tr> </tbody> </table>	Amp	Volt	Kabel mtr.	Niv.afbr.	4,3	3 x 400	10	Uden	50 1400 250	7.330,00																							
Amp	Volt	Kabel mtr.	Niv.afbr.																														
4,3	3 x 400	10	Uden																														
Industrielle samt mere krævende applikationer.																																	
	DR STEEL MED KANALHJUL 1x230V er med Niveau afbryder.																																
	<table border="1"> <thead> <tr> <th>Type</th> <th>Volt</th> <th>KW</th> <th>Amp</th> <th>Tilsl.</th> <th>Passage</th> </tr> </thead> <tbody> <tr> <td>25/2A M50</td> <td>1x230</td> <td>0,25</td> <td>2,3</td> <td>1¼”</td> <td>10mm</td> </tr> <tr> <td>37/2A M50</td> <td>1x230</td> <td>0,37</td> <td>3,1</td> <td>1¼”</td> <td>10mm</td> </tr> <tr> <td>75/2A M50</td> <td>1x230</td> <td>0,75</td> <td>5,6</td> <td>1½”</td> <td>12mm</td> </tr> <tr> <td>75/2 T50</td> <td>3x400</td> <td>0,75</td> <td>2,4</td> <td>1½”</td> <td>12mm</td> </tr> </tbody> </table>	Type	Volt	KW	Amp	Tilsl.	Passage	25/2A M50	1x230	0,25	2,3	1¼”	10mm	37/2A M50	1x230	0,37	3,1	1¼”	10mm	75/2A M50	1x230	0,75	5,6	1½”	12mm	75/2 T50	3x400	0,75	2,4	1½”	12mm	50 1400 795	2.960,00
	Type	Volt	KW	Amp	Tilsl.	Passage																											
	25/2A M50	1x230	0,25	2,3	1¼”	10mm																											
	37/2A M50	1x230	0,37	3,1	1¼”	10mm																											
75/2A M50	1x230	0,75	5,6	1½”	12mm																												
75/2 T50	3x400	0,75	2,4	1½”	12mm																												
						50 1400 800	3.200,00																										
						50 1400 830	4.730,00																										
						50 1400 840	4.635,00																										

SPECIFIKATIONER

DG BLUE 100/2/G40	Ydelse m3/time	0	3,6	7,2	10,8	14,4	18	21,6	25,2				
	Ydelse Liter/min	0	60	120	180	240	300	360	420				
	Ydelse Liter/sekund	0	1.0	2.0	3.0	4.0	5.0	6.0	7.0				
	Løftehøjde Mvs	11.6	11.2	10.2	9.1	7.6	6.0	4.3	2.7				
DG STEEL 55/2A M50	Ydelse m3/time	0	1,8	3,6	5,4	7,2	9	10,8	12,6	14,4	16,2	18	19,8
	Ydelse Liter/min	0	30	60	90	120	150	180	210	240	270	300	330
	Ydelse Liter/sekund	0	0.5	1	1,5	2.0	2.5	3.0	3.5	4.0	4.5	5.0	5.5
	Løftehøjde Mvs	8.1	7.8	7.5	7.0	6.6	6.2	5.7	4.8	4.1	3.2	2.3	1.3
DR BLUE 40/2/G32	Ydelse m3/time	0	1,8	3,6	5,4	7,2	9	10,8	12,6	14,4	16,2	18	19,8
	Ydelse liter/minut	0	30	60	90	120	150	180	210	240	270	300	330
	Ydelse liter/sekund	0	0.5	1	1,5	2.0	2.5	3.0	3.5	4.0	4.5	5.0	5.5
	Løftehøjde Mvs	7.0	6.7	6.3	5.8	5.1	4.1	3.6	2.0				
DR BLUE PRO 200/2/G50	Ydelse m3/time	0	3,6	7,2	10,8	14,4	18	21,6	25,2	28,8	32,4	36	39,6
	Ydelse Liter/min	0	60	120	180	240	300	360	420	560	540	600	660
	Ydelse Liter/sekund	0	1	2	3	4	5	6	7	8	9	10	11
	Løftehøjde Mvs	17.0	16.2	15.3	14.3	13.3	12.1	10.9	9.5	8.1	6.6	5.1	3.3
DR STEEL 25/2A M50	Ydelse m3/time	0	1,8	3,6	5,4	7,2	9	10,8	12,6	14,4	16,2	18	19,8
	Ydelse Liter/min	0	30	60	90	120	150	180	210	240	270	300	330
	Ydelse Liter/sekund	0	0.5	1	1,5	2.0	2.5	3.0	3.5	4.0	4.5	5.0	5.5
	Løftehøjde Mvs	8.5	7.0	5.7	4.0	1.3							
DR STEEL 37/2A M50	Løftehøjde Mvs	13.5	11.6	9.5	7.0	4.5	1.9						
DR STEEL 75/2A M50	Løftehøjde Mvs	16.0	15.0	13.4	12.4	11.2	10.0	8.8	7.6	6.5	5.2	3.8	2.5
DR STEEL 75/2 T50	Løftehøjde Mvs	16.0	15.0	13.4	12.4	11.2	10.0	8.8	7.6	6.5	5.2	3.8	2.5

ZENIT TILBEHØR

ZENIT TILBEHØR					
	MOTORVÆRN Magnet betjent motorværn i plastkasse. 3X400V, IP65. Fabrikat: Telemecanique.				
	1,8 – 2,6 AMP		50 1452 026	1.149,00	
	2,6 – 3,7 AMP		50 1452 037	1.173,00	
	3,7 – 5,5 AMP		50 1452 055	1.220,00	
	5,0 – 8,0 AMP		50 1452 080	1.220,00	
	8,0 – 11,0 AMP		50 1452 110	1.300,00	
	10,0 – 14,0 AMP		50 1452 140	1.212,00	
	NIVEAUFBRYDER Dobbeltfunktion. Kan kobles til enten tømme- eller fyldefunktion.				
	10 mtr. kabel		39 1219 930	458,00	
	ALARM BOX Alarm enhed med horn og rød lampe. Tilslutning 1x230v og Niveaupippe			39 1349 200	1.525,00
	Alarm enhed med horn og rød lampe Og relæ udgang. Tilslutning 1x230v og Niveaupippe			39 1349 210	1.778,00
	AUTOMATIKSKABE Zenit automatiskab for automatisk drift af 1 stk. 3 x 400 V pumpe ved hjælp af niveaupipper. Skabet er med afbryder og omskifter for 0-manuel-autodrift samt nødvendige lamper. Excl. niveaupipper.				
	Model	kW	Område		
	Q1EL	0.55 > 7.5	2 – 16 Amp	50 1453 1036	3.885,00
	Q1EL	7.5 > 11	16 - 24 Amp	50 1453 1038	4.975,00
	Q1EL	7.5 > 15	16 – 30 Amp	50 1453 1040	5.360,00

ZENIT TILBEHØR																							
	KOBLINGSFOD I STØBEJERN Incl. øvre guidefæste	Varenr.	Enhedspris kr.																				
	<table border="1"> <thead> <tr> <th>Tilslutning</th> <th>Guiderør</th> <th></th> <th></th> </tr> </thead> <tbody> <tr> <td>2" x 2"</td> <td>¾"</td> <td>50 1450 050</td> <td>2.669,00</td> </tr> <tr> <td>DN80 x DN80</td> <td>2"</td> <td>50 1450 080</td> <td>4.227,00</td> </tr> <tr> <td>DN100 x DN100</td> <td>2"</td> <td>50 1450 100</td> <td>4.770,00</td> </tr> <tr> <td>DN150 x DN150</td> <td>2"</td> <td>50 1450 151</td> <td>20.130,00</td> </tr> </tbody> </table>	Tilslutning	Guiderør			2" x 2"	¾"	50 1450 050	2.669,00	DN80 x DN80	2"	50 1450 080	4.227,00	DN100 x DN100	2"	50 1450 100	4.770,00	DN150 x DN150	2"	50 1450 151	20.130,00		
	Tilslutning	Guiderør																					
	2" x 2"	¾"	50 1450 050	2.669,00																			
	DN80 x DN80	2"	50 1450 080	4.227,00																			
DN100 x DN100	2"	50 1450 100	4.770,00																				
DN150 x DN150	2"	50 1450 151	20.130,00																				
	KÆDE 8 mm varmgalvaniseret, mtr. 6 mm Rustfri, mtr.	50 1450 908 50 1450 917	63,00 173,00																				
	FLYGT ADAPTOR F/ KOB.FOD																						
	DN65 DN80 DN100 DN150	50 1450 565 50 1450 540 50 1450 600 50 1450 650	Spørg efter pris 2.450,00 2.920,00 4.434,00																				
	KUGLE-KONTRAVENTIL Støbejern																						
	1½" Gev. 2" Gev. DN65 DN80 DN100	43 0854 111 43 0854 112 50 1451 065 43 0953 080 43 0953 100	773,00 986,00 1.285,00 1.850,00 3.000,00																				
	SKYDEVENTIL I STØBEJERN M. Håndhjul																						
	DN65 DN80 DN100 DN150 DN200	14 1408 665 14 1408 680 14 1408 685 14 1408 687 14 1408 688	1.563,00 1.956,00 2.435,00 3.924,00 6.277,00																				
	GUIDERØR ¾" GALV. 6 Meters sammensvejst guiderør i ¾".	50 1450 160	2.650,00																				

ATLAS COPCO WEDA DYKPUMPER



Entreprenør lænsepumpe D-serie

Anvendelse:

Grundvands-sænkning, lænsning af udgravninger og generel afvanding

Konstruktion:

- Kraftig opbygning, lavet med holdbarhed for øje
- Løbehjul i hårdmetal, pumpehus og slidplade med gummi-coatning
- Kan arbejde med delvis underdykket motor
- Tre-fasede pumper med rotationskontrol (sikrer altid korrekt omdrejningsretning)

Partikelstørrelse 4,5 – 8mm

Type	Volt	KW	AmP	Afg. Udv.	Kabel
D10N	1x230	1,0	6,1	2"	20 m
D30N	3x400	2,0	4,0	3"	20 m
D30L	3x400	2,0	4,0	3"	20 m
D40N	3X400	3,0	5,3	3"	20 m
D50N	3X400	5,6	11,1	4"	20 m
D60N	3X400	7,5	14,7	4"	20 m

Varenr.

Enhedspris
kr.

50 1110 546	12.330,00
50 1130 499	18.855,00
50 1130 477	18.855,00
50 1140 516	21.088,00
50 1150 059	31.050,00
50 1160 123	39.480,00

Uden niveau-afbryder



Entreprenør lænsepumpe DB-serie

Anvendelse:

Gulv-suger, flad suger

Konstruktion:

- Kraftig opbygning, lavet med holdbarhed for øje
- Løbehjul i hårdmetal, pumpehus og slidplade med gummi-coatning

Partikelstørrelse mm 7,5mm

Leveres med 1" slangestuds

Type	Volt	KW	AmP	Afg. Udv.	Kabel
D04BN	1x230	0,4	2,8	1"	10 m

50 1104 400

6.375,00



Forespørg på:

- Mindre ydelse
- Større ydelse
- Anvendelse i saltvand med anode
- Afgang med slangestuds



ATLAS C WEDA DYKPUMPER													
	Ydelse m3/time	0	3	6	9	12	15	18	21	24	27		
	Ydelse Liter/min	0	50	100	150	200	250	300	350	400	450		
	Ydelse Liter/sekund	0	0,8	1,7	2,5	3,3	4,2	5,0	5,8	6,7	7,5		
D10	Løftehøjde Mvs	14.5	14	12.8	11.2	10	8	6	4	2	1		
	Ydelse m3/time	0	12	24	36	48	60	72	84	96	108	132	156
	Ydelse Liter/min	0	200	400	600	800	1000	1200	1400	1600	1800	2200	2600
	Ydelse Liter/sekund	0	3,3	6,7	10,0	13,3	16,7	20,0	23,3	26,7	30,0	36,7	43,3
D30N	Løftehøjde Mvs	24	19	14	9	2.5							
D30L	Løftehøjde Mvs	17	16	15	13	10	6	3					
D40N	Løftehøjde Mvs	23	22	19	16.5	13.5	10	6	2				
D50N	Løftehøjde Mvs	25	24	22	20	18	15	13	11	9	8	2	
D60N	Løftehøjde Mvs	29	27	24	20	18	17	16.5	16	15.5	15	13	7
	Ydelse m3/time	0	1.5	3	4.5	6	7						
	Ydelse Liter/min	0	25	50	75	100	117						
	Ydelse Liter/sekund	0	0,4	0,8	1,3	1,7	1,9						
D04BN	Løftehøjde Mvs	12	11	10	7	5	2						

CAPRARI CENTRIFUGALPUMPER															HVU			
KOMPLET MED MOTOR															Varenr.	Enhedspris kr.		
Type	Motor		Ydelse m3/t													Varenr.	Enhedspris kr.	
	HK	KW	20	25	30	35	40	45	50	55	60	65	70	75	80			85
Løftehøjde m.v.s.																		
HVU25/2A	10	7,5	63	63	55	46											50 1600 010	25.200,00
HVU25/3A	15	10	102	95	85	73											50 1600 015	32.075,00
HVU35/2A	20	15	99	98	96	92	86	78	70								50 1600 020	33.600,00
HVU50/2A	25	18,5		95	94	92	88	86	82	78	73	68	62	55			50 1600 025	34.900,00
HVU50/3C	30	22			108	106	103	98	93	86	78	69	59	46			50 1600 030	40.800,00
Type	Motor		Ydelse m3/t													Varenr.	Enhedspris kr.	
	HK	KW	35	40	45	50	55	60	65	70	75	80	85	95	100			108
Løftehøjde m.v.s.																		
HVU50/3A	40	30	139	135	131	125	118	110	103	94	85	74	64				50 1600 040	45.575,00
HVU65/2E	50	37		121	120	118	117	115	113	110	107	104	100	92	86	75	50 1600 050	51.275,00
PUMPE ALENE																		
Type	Motor		Ydelse m3/t													Varenr.	Enhedspris kr.	
	HK	KW	20	25	30	35	40	45	50	55	60	65	70	75	80			85
Løftehøjde M.V.S																		
HVU25/2A	10	7,5	63	63	55	46											50 1600 510	17.850,00
HVU25/3A	15	10	102	95	85	73											50 1600 515	21.325,00
HVU35/2A	20	15	99	98	96	92	86	78	70								50 1600 520	22.625,00
HVU50/2A	25	18,5		95	94	92	88	86	82	78	73	68	62	55			50 1600 525	22.700,00
HVU50/3C	30	22			108	106	103	98	93	86	78	69	59	46			50 1600 530	25.450,00
Løftehøjde m3/t			35	40	45	50	55	60	65	70	75	80	85	95	10	108		
HVU50/3A	40	30	139	135	131	125	118	110	103	94	85	74	64				50 1600 540	26.325,00
HVU65/2E	50	37		121	120	118	117	115	113	110	107	104	100	92	86	75	50 1600 550	30.375,00

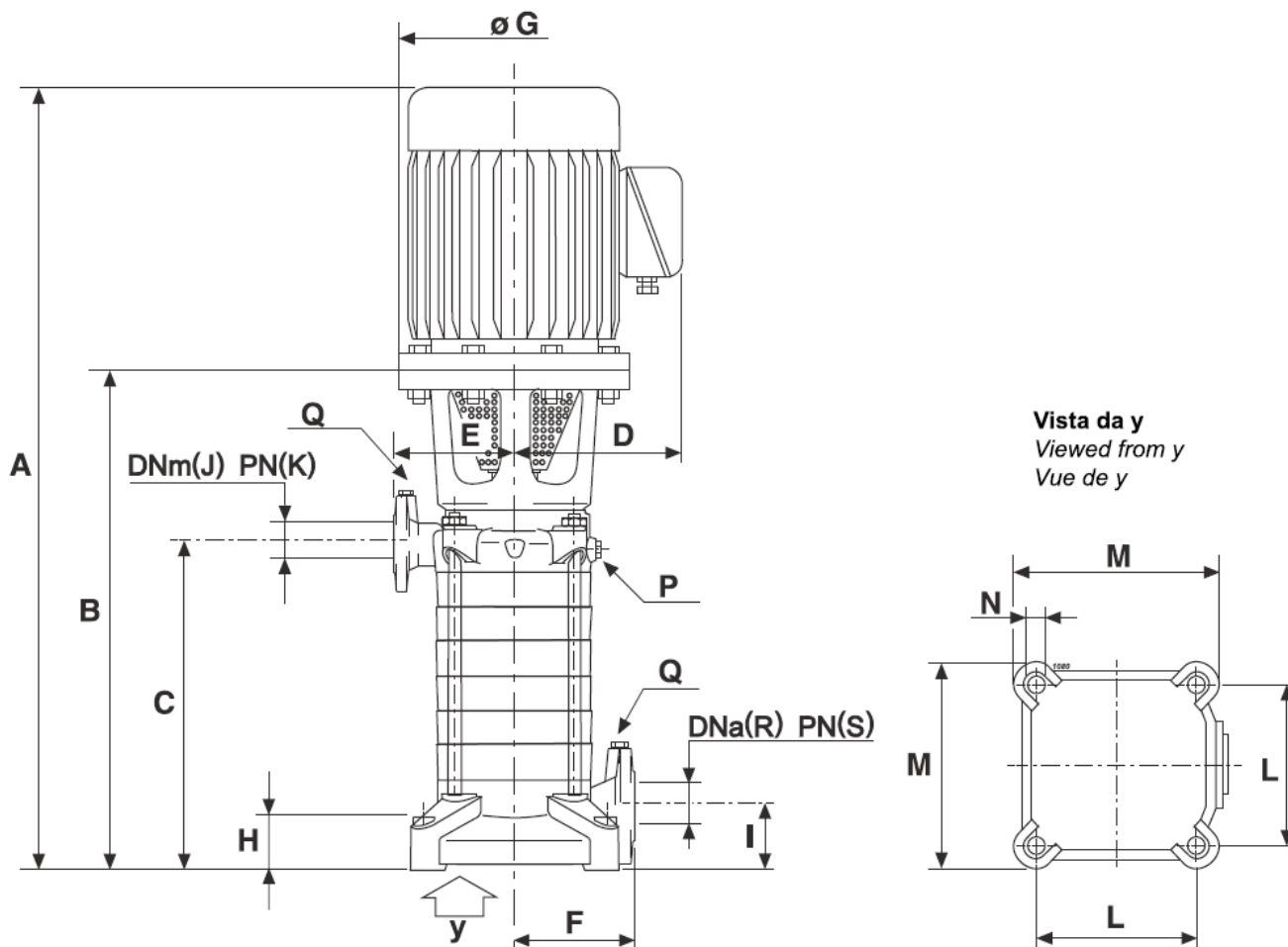


SPECIFIKATIONER

HVU

Målskitse

Type	Flangedim.		B	C	D	E	F	G	H	I	L	m	N
	Sug	Tryk											
HVU25/2A	50	40	432	208	201	175	175	300	72	85	260	310	22
HVU25/3A	50	40	513	259	282	175	175	350	72	85	260	310	22
HVU35/2A	65	50	522	236	282	200	200	350	75	95	320	374	22
HVU50/2A	65	50	522	236	282	200	200	350	75	95	320	374	22
HVU50/3C	65	50	580	294	340	200	200	350	75	95	320	374	22
HVU50/3A	65	50	580	294	340	200	200	400	75	95	320	374	22



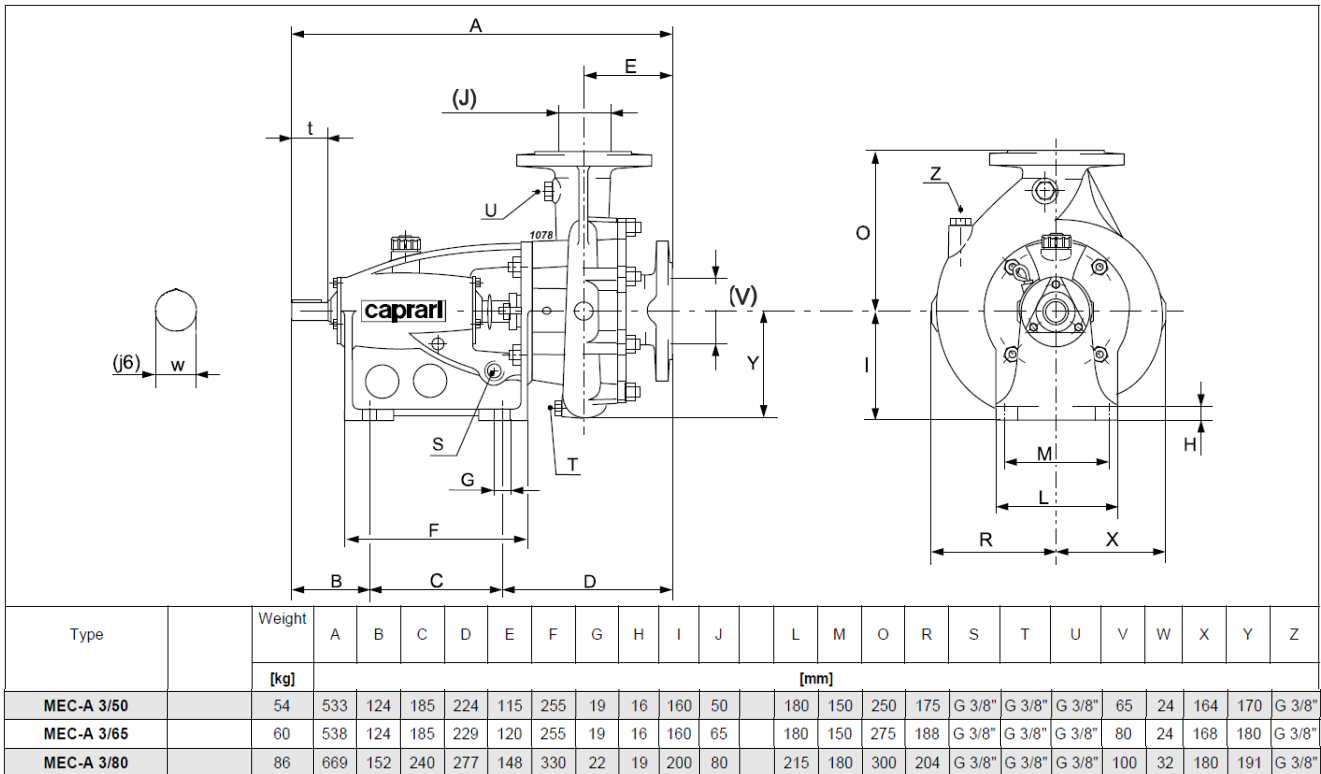
CAPRARI MEC-A PUMPER FOR SAMMENBYGNING

MEC-A 3/50 2900 omdr. Til 15-30 HK el-motor												Varenr.	Enhedspris kr.	
Ydelse m3/time														
Type		14,4	21,6	28,8	36	43,2	50,4	57,6	64,8	72	75,6			
65x50 F	m.v.s HK	56,8 6,9	56,4 8,4	54,4 9,8	51 12,4	46 12	39,8 12,8	31,6 13,3						13.525,00
65x50 E	m.v.s HK	63,1 7,9	62,9 9,5	61,2 11	58,1 12,4	53,7 13,6	48,1 14,6	40,7 15,4						13.525,00
65x50 D	m.v.s HK	69,9 9,1	69,5 10,9	68,2 12,5	65,5 14,1	61,4 15,5	56,3 16,6	49,2 17,7	39,6 18,4					13.525,00
65x50 C	m.v.s HK	76,4 10,5	75,9 12,2	74,6 14,1	72,2 15,8	68,7 17,3	64 18,6	57,8 19,9	49,1 20,8					13.525,00
65x50 B	m.v.s HK	83,6 11,8	83,2 13,9	82 18,6	79,9 17,7	76,6 19,4	72 20,9	66,1 22,3	58,4 23,4	49 24,5				15.525,00
65x50 A	m.v.s HK	89,9 13,5	89,4 15,5	88,3 17,7	86,5 19,6	83,6 21,5	79,9 23,3	74,6 25	68 26,4	59 27,5	53,4 27,9	50 1600 620		13.050,00

MEC-A 3/65 2900 omdr. Til 15-40 HK el-motor														
Ydelse m3/time														
Type		14,4	21,6	28,8	36	43,2	50,4	54	72	90	108			
80x65 F	m.v.s HK			56,7 11,7	56,1 12,9	55,3 14,1	54,1 15,1	53,4 15,6	48,6 17,8	42,1 19,6				14.275,00
80x65 E	m.v.s HK			63 13,2	62,4 14,6	61,7 15,9	60,6 17,1	59,9 17,7	55,7 20,3	49,8 22,4				14.275,00
80x65 D	m.v.s HK				69,3 16,5	68,6 18	67,6 19,3	67 20	63,2 23,1	57,6 25,6				14.275,00
80x65 C	m.v.s HK				75,6 18,5	75,1 20,1	74,3 21,6	73,8 22,4	70,4 25,9	64,8 28,7	53,9 30,7			14.275,00
80x65 B	m.v.s HK				82,6 20,8	82,3 22,7	81,7 24,3	81,3 25,3	78,3 29,2	73,4 32,9	62,7 35			14.275,00
80x65 A	m.v.s HK				89,5 23,5	89,2 25,4	88,6 27,3	88,2 28,3	85,7 32,9	81,7 37,1	72,9 40,4	50 1600 625		13.800,00

MEC-A 3/80 2900 omdr. Til 25-75 HK el-motor														
Ydelse m3/time														
Type		57,6	72	90	108	126	144	162	180	198	205			
100x80 F	m.v.s HK	59,4 20,1	57,9 22,6	55,5 25,3	52,8 27,9	49,5 30	45,5 32,2	40,5 33,9						18.285,00
100x80 E	m.v.s HK	66,1 23	65,1 25,7	63,2 29,1	60,7 32	57,6 34,5	54,2 37	49,8 39,5						18.285,00
100x80 D	m.v.s HK		71,9 29	70,4 32,9	68,4 36,3	65,8 39,5	62,7 42,3	59,2 45	53,5 48					18.285,00
100x80 C	m.v.s HK		78,8 32,5	77,6 36,7	75,8 40,7	73,3 44,2	70,6 47,6	67,5 50,9	62,8 54					18.285,00
100x80 B	m.v.s HK		86,2 40,3	85,2 41,2	83,4 45,4	81,1 49,4	78,4 53,2	75,2 56,7	70,7 60,2	62,1 63,2				18.285,00
100x80 A	m.v.s HK		93,9 40,8	92,7 45,5	90,8 50,2	88,6 54,5	86,1 58,6	83 62,7	78,5 66,8	71 70,6	67 71,7	50 1600 630		17.810,00

SPECIFIKATIONER TYPE MEC-A



Tabel Afdrejning	3/50	3/65	3/80
A løbehjul	Ø260 mm	Ø260 mm	Ø260 mm
B løbehjul	Ø250 mm	Ø250 mm	Ø250 mm
C løbehjul	Ø242 mm	Ø240 mm	Ø240 mm
D løbehjul	Ø235 mm	Ø230 mm	Ø230 mm
E løbehjul	Ø226 mm	Ø220 mm	Ø220 mm

CAPRARI MEC-MR PUMPER FOR SAMMENBYGNING

MEC-MR 65-3/2 2900 omdr. Til 40-75 HK el-motor											Varenr.	Enhedspris kr.	
Ydelse m3/time													
Type		57,6	64,8	72	79,2	86,4	93,6	108	126	136,8			
80x65 G	m.v.s HK	103,1 32,5	99,6 34,4	95,4 36,2	90,8 37,8	85,7 39,3	80,2 40,5	67,5 42,7					22.425,00
80x65 E	m.v.s HK	113,8 35,8	110,5 37,8	106,8 39,7	102,4 41,6	97,8 43,2	92,5 44,9	81,3 47,7					22.425,00
80x65 C	m.v.s HK	126,7 40,3	123,6 42,7	120,1 44,9	116,2 47,0	111,7 49,0	106,8 50,7	95,4 53,7	78,2 56,0				22.425,00
80x65 A	m.v.s HK	140,5 45,6	137,7 48,3	134,5 50,7	130,8 53,4	126,8 55,8	122,3 57,9	111,3 61,3	94,7 64,0	83,3 65,3		50 1600 720	21.950,00

MEC-MR 80-3/2 2900 omdr. Til 40-125 HK el-motor											Varenr.	Enhedspris kr.	
Ydelse m3/time													
Type		54	72	90	108	126	144	162	180	216			
100x80 G	m.v.s HK	110,2 38,9	108 43,5	104,9 48,1	100,6 52,5	94,7 56,7	87,4 60,4	78,8 63,6	69,5 66,4				30.620,00
100x80 E	m.v.s HK	123,4 44,9	120,6 49,8	117 54,3	112,3 58,9	106,4 63,6	99,4 68,1	91,5 72,4	82,4 76,4				30.620,00
100x80 C	m.v.s HK	136,6 52,0	134,4 57,4	131,5 62,8	127,5 68,1	122,4 73,7	116,4 79,3	109,4 85,0	101,1 90,8				30.620,00
100x80 A	m.v.s HK	149,3 59,4	147,4 66,1	145,5 72,4	143,2 79,2	139,7 85,5	134,4 91,9	127,1 98,3	117,9 104,7	98,1 116,8		50 1600 725	30.145,00

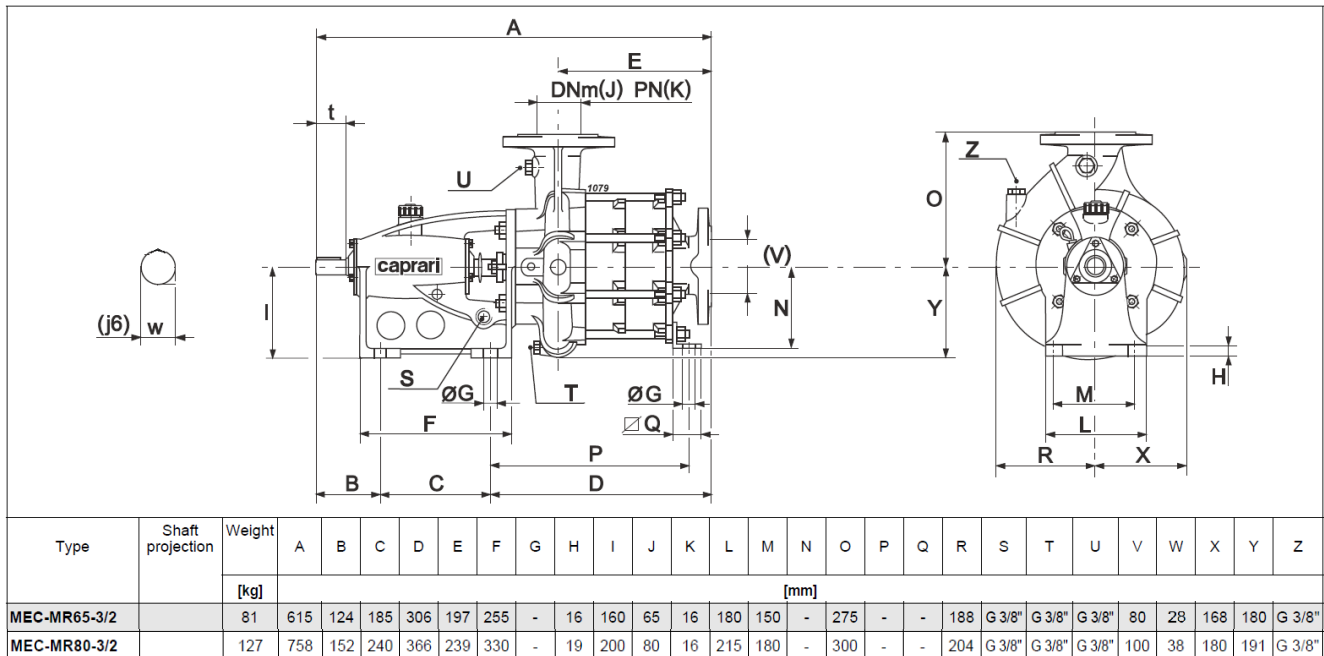
MEC-A



MEC-MR



SPECIFIKATIONER TYPE MEC-MR



Tabel Afdrejning	65-3/2	80-3/2
A løbehjul	Ø260 / Ø205	Ø260 / Ø205
C løbehjul	Ø240 / Ø205	Ø240 / Ø205
E løbehjul	Ø220 / Ø205	Ø220 / Ø205
G løbehjul	Ø220 / Ø195,5	Ø220 / Ø190

ROVATTI CENTRIFUGALPUMPER															MEKV			
KOMPLET MED MOTOR															Varenr.	Enhedspris kr.		
Type	Motor		Ydelse m ³ /t															
	HK	KW	24	27	30	33	36	39	45	48	54	60	66	72	75	84		
Løftehøjde m.v.s.																		
ME10KV 65-32/2	10	7,5	66	62	59	55	51	46	35								50 1650 010	26.040,00
ME15KV 65-32/3	15	11	98	93	89	83	77	70	54								50 1650 015	32.600,00
ME20KV 65-42/3	20	15	104	103	101	97	93	89	79	74	61	44					50 1650 020	32.765,00
ME25KV 80-60/2P	25	18,5	89	88	88	87	87	86	84	83	79	75	71	66	62		50 1650 025	37.610,00
ME30KV 80-60/2P	30	22					105	104	103	102	99	95	90	84	81		50 1650 030	40.485,00
Type	Motor		Ydelse m ³ /t															
	HK	KW	30	33	36	39	45	48	54	60	66	72	75	84	90	96		
Løftehøjde m.v.s.																		
ME40KV 80-60/3P	40	30						131	125	119	112	104	100				50 1650 040	49.600,00
ME40KV 80-90/2P	40	30						101	100	99	98	95	94	90			50 1650 045	46.750,00
ME50KV 80-90/2P	50	37								114	112	111	110	106	102	98	50 1650 050	48.150,00
PUMPE ALENE																		
Type	Motor		Ydelse m ³ /t – M.V.S															
	HK	KW	24	27	30	33	36	39	45	48	54	60	66	72	75	84		
ME10KV 65-32/2	10	7,5	66	62	59	55	51	46	35								50 1650 510	19.375,00
ME15KV 65-32/3	15	11	98	93	89	83	77	70	54								50 1650 515	22.600,00
ME20KV 65-42/3	20	15	104	103	101	97	93	89	79	74	61	44					50 1650 520	22.600,00
ME25KV 80-60/2P	25	18,5	89	88	88	87	87	86	84	83	79	75	71	66	62		50 1650 525	26.200,00
ME30KV 80-60/2P	30	22					105	104	103	102	99	95	90	84	81		50 1650 530	26.200,00
Type	Motor		Ydelse m ³ /t															
	HK	KW	45	48	54	60	66	72	75	84	90	96						
ME40KV 80-60/3P	40	30					131	125	119	112	104	100					50 1650 540	31.815,00
ME40KV 80-90/2P	40	30					101	100	99	98	95	94	90				50 1650 545	28.970,00
ME50KV 80-90/2P	50	37							114	112	111	110	106	102	98		50 1650 550	28.970,00

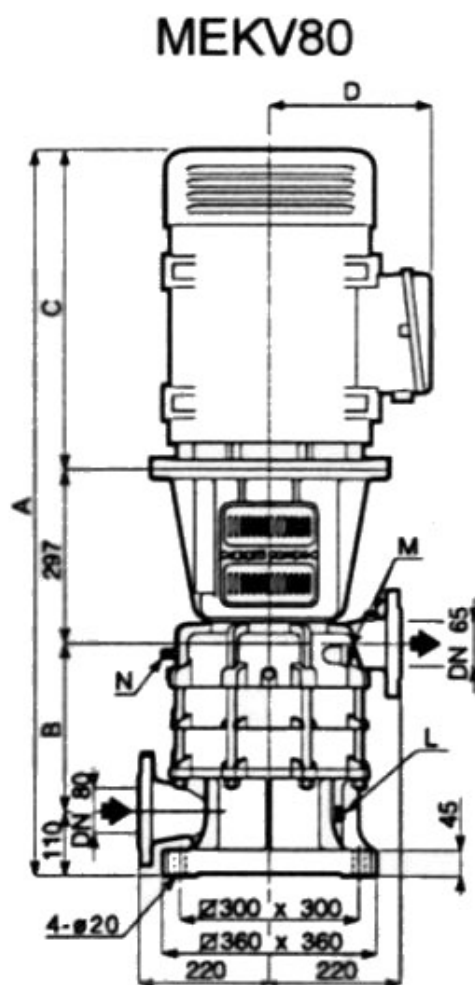
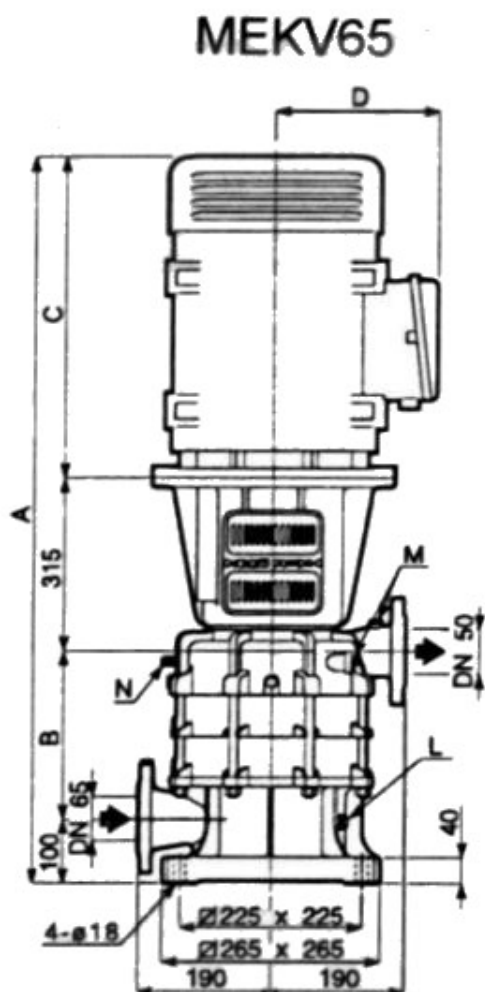


SPECIFIKATIONER

MEKV

Målskitse

Type	Flangedim		A	B	C	D
	Sug	Tryk				
ME10KV65-32/2	65	50	900	120	365	178
ME15KV65-32/3	65	50	1000	180	405	178
ME20KV65-42/3	65	50	1090	180	495	230
ME25KV80-60/2P	80	65	1075	203	465	182
ME30KV80-60/2P	80	65	1108	203	498	242
ME40KV80-60/3P	80	65	1178	273	498	242
ME40KV80-90/2P	80	65	1108	203	498	242
ME50KV80-90/2P	80	65	1133	203	523	242

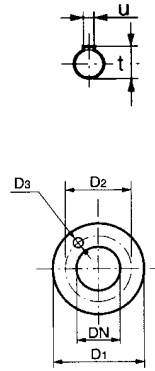
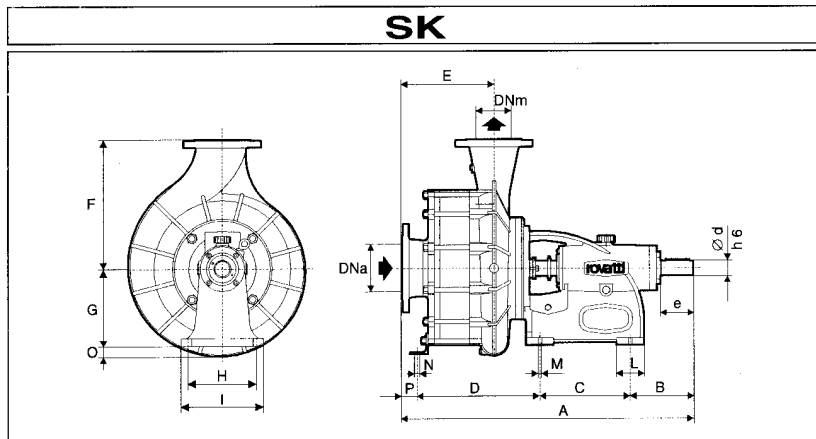


ROVATTI SK-PUMPER FOR SAMMENBYGNING

S2 K65/2 til 20-25-30-40-50 HK elmotor 2900 omdr.											Varenr.	Enhedspris kr.
Ydelse m3/time												
Type		21	24	27	30	36	42	48	54	60		
S2K65/2 M	m.v.s HK	89 14,5	88 15,5	86 16,5	85 17,6	80 19,5	75 21	69 22,5	60 23,7	43 24,2	50 1654 230	20.970,00
S2K65/2 L	m.v.s. HK	99 16,2	98 17,4	96 18,4	95 19,5	91 21,5	86 23,3	80 25	72 26,5	62 27,5	50 1654 225	20.970,00
S2K65/2 I	m.v.s. HK	110 18,5	109 19,8	107 21	106 22,5	103 24,8	99 27	93 28,5	84 30,2	75 31,8	50 1654 220	20.970,00
S2K65/2 H	m.v.s. HK	124 20,5	123 22	121 23,3	120 24,4	116 27	111 29,5	105 31,5	96 33,2	85 34,5	50 1654 215	20.970,00
S2K65/2 G	m.v.s. HK	130 22	129 23,8	127 25,3	126 26,7	122 29,2	117 31,5	112 33,8	103 35,8	92 37,5	50 1654 210	20.970,00
S2K65/2 F	m.v.s. HK	136 24	135 25,8	134 27,4	132 28,8	129 31,8	125 34,7	120 37,2	112 39,3	103 41,3	50 1654 205	20.970,00
S2K65/2 E	m.v.s. HK	146 26,7	145 28,5	144 30	142 31,5	139 34,5	134 37	129 39,2	122 41,5	113 43,3	50 1654 200	20.520,00



SPECIFIKATIONER TYPE SK



FLANGIA - FLANGE - BRIDE				
DN	D ₁	D ₂	n. fori Hole n. n. trous	D ₃
40	150	110	4	18
50	165	125	4	18
65	185	145	4	18
80	200	160	4	18
100	220	180	8	18
125	250	210	8	18
150	285	240	8	18

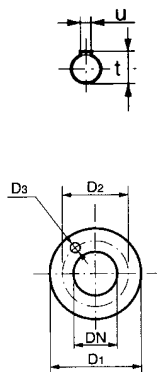
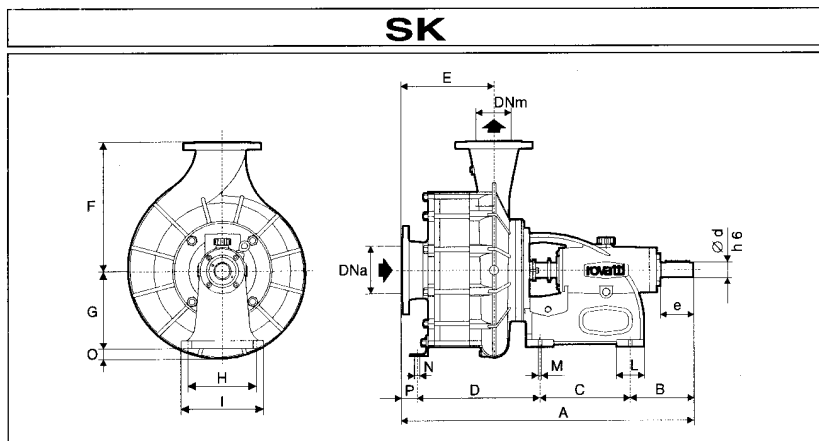
POMPA TIPO PUMP TYPE POMPE TYPE	BOCCHIE PORTS ORIFICES		DIMENSIONI D'INGOMBRO mm OVERALL DIMENSIONS mm DIMENSIONS D'ENCOMBREMENT mm													ALBERO mm SHAFT mm ARBRE mm				PESO WEIGHT MASSE kg	
	DNa	DNm	A	B	C	D	E	F	G	H	I	L	M	N	O	P	d	e	u		t
S2 K65/2	65	50	575	119	175	-	190	240	160	145	175	60	16	-	10	-	28	60	8	31	68

ROVATTI SK-PUMPER FOR SAMMENBYGNING

S2K80/2 TIL 25-30-40-50HK ELMOTOR 2900 OMDR.										Varenr.	Enhedspris kr.
Ydelse m3/time											
Type		42	48	54	60	66	72	84	96		
S2K80/2 M	m.v.s. HK	85 22,8	84 24	82 25,7	79 27	76 28	72,5 29,3	65 31,3	55 32,3	50 1654 430	22.900,00
S2K80/2 L	m.v.s. HK	97 26	96 28	94 29,7	91 31	88 32,3	84 34	77 36	68 38	50 1654 425	22.900,00
S2K80/2 I	m.v.s. HK	109 26,6	108 31,8	106 33,7	104 35,6	101 36,8	98 38	91 41	83 43,3	50 1654 420	22.900,00
S2K80/2 H	m.v.s. HK	122 33,7	120 36	118 38	116 40	113 42	110 44	104 47,5	95 50	50 1654 415	22.900,00
S2K80/2 G	m.v.s. HK	127 35,7	126 38,2	124 40,4	122 42,8	120 44,8	117 46,8	110 50,5		50 1654 410	22.900,00
S2K80/2 F	m.v.s. HK	135 38,5	134 41,3	132 43,8	130 46	128 48	125 50,0			50 1654 405	22.900,00
S2K80/2 E	m.v.s. HK	142 41,5	141 44,2	140 46,7	138 49,3					50 1654 400	22.450,00
S2K80/2-E TIL SAMMENBYGN. M/DIESELMOTOR											
Ydelse m3/time											
Omdr.		36	42	48	54	60	66	72	84		
2000	m.v.s. HK	67,4 15	66 16	64,5 17,2	62,3 18,2	60 19,3	57 20,2	54 21	47 22	50 1654 400	22.450,00
2300	m.v.s. HK	88,3 22,7	87,7 24,1	85 25,6	82,5 27	80 28,4	76,7 29,7	69,7 32	61,7 33,6		
2600	m.v.s. HK	114 30,3	113 32,4	111 34,4	109 36,3	106 38	103 39,2	96,5 43	88 45,8		
2900	m.v.s. HK	142 41,2	141 44,2	140 46,7	138 49,3						



SPECIFIKATIONER TYPE SK



FLANGIA - FLANGE - BRIDE				
DN	D ₁	D ₂	n. fori Hole n. n. trous	D ₃
40	150	110	4	18
50	165	125	4	18
65	185	145	4	18
80	200	160	4	18
100	220	180	8	18
125	250	210	8	18
150	285	240	8	18

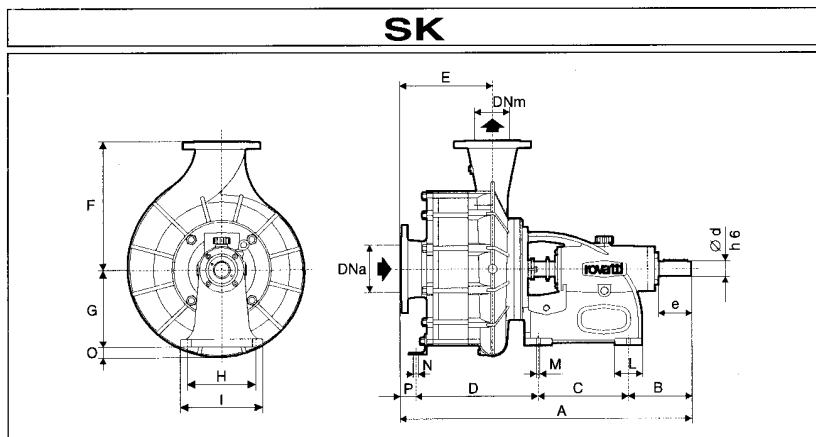
POMPA TIPO PUMP TYPE POMPE TYPE	BOCCHIE PORTS ORIFICES		DIMENSIONI D'INGOMBRO mm OVERALL DIMENSIONS mm DIMENSIONS D'ENCOMBREMENT mm														ALBERO mm SHAFT mm ARBRE mm				PESO WEIGHT MASSE kg
	DNa	DNm	A	B	C	D	E	F	G	H	I	L	M	N	O	P	d	e	u	t	
S2 K80/2	80	65	582	119	175	-	195	260	160	145	175	60	16	-	21	-	28	60	8	31	71

ROVATTI SK-PUMPER FOR SAMMENBYGNING

S3K100/2-E TIL SAMMENBYGN. M/DIESELMOTOR														Varenr.	Enhedspris kr.
Ydelse m3/time															
Omdr		42	48	54	60	72	84	96	108	120	132	144	156		
1450	m.v.s. HK	62 17	61,5 18	61 19,2	60,2 20,2	58 23,2	55,7 24,3	53 26,3	49,7 28	45,7 29,5	41 31			50 1654 700	28.730,00
1600	m.v.s. HK	76 22,2	75,7 23,5	75,2 25	74,7 26,4	72,7 28,7	70,3 31,5	67,6 33,8	64,5 36	61 38	56,3 40	50,5 42			
1800	m.v.s. HK		96 31,5	95,5 33,5	95 35,2	93 38,2	91 41,7	88 44,8	85 47,8	81 50,5	77 53,3	72,4 55,5			
2000	m.v.s. HK		120 41	120 43	120 45,6	118 50	116 55	114 58,8	110 63	107 67	102 70	97 73,6	92 76		
2200	m.v.s. HK		139 53,6	139 56,4	138 59,3	137 64,7	135 69,7	131 74,4	126 78,4	117 82,2	100 85				
2400	m.v.s. HK		165 67	165 70,2	164 73,4	163 79,4	162 86,6	159 97,8	155 97,7	148 102	128 106				
S3K100/3-E TIL SAMMENBYGN. M/DIESELMOTOR															
Ydelse m3/time															
Omdr		42	48	54	60	72	84	96	108	120	132	144	156		
1450	m.v.s. HK	87,3 23,8	86,8 25,5	86 27	85 28,6	82 31,6	79 34	74,5 37	69 39,2	63 41,2	56,5 43			50 1654 750	36.000,00
1600	m.v.s. HK	106 30,3	106 32,6	105 34,5	104 36,5	102 40,5	98,4 44	94 48	88,5 51	82,5 53,5	75 56	67 58			
1800	m.v.s. HK		134 43,5	133 46	132 48,6	135 53,5	127 58	123 62,5	118 66,8	112 70,8	106 74,5	99 78			
2000	m.v.s. HK		165 57	164 59,5	164 63,3	162 69,5	159 75	156 81	151 87	146 92	140 97,5	133 102	123 106		



SPECIFIKATIONER TYPE SK



FLANGIA - FLANGE - BRIDE				
DN	D ₁	D ₂	n. fori Hole n. n. trous	D ₃
40	150	110	4	18
50	165	125	4	18
65	185	145	4	18
80	200	160	4	18
100	220	180	8	18
125	250	210	8	18
150	285	240	8	18

POMPA TIPO PUMP TYPE POMPE TYPE	BOCCHIE PORTS ORIFICES		DIMENSIONI D'INGOMBRO mm OVERALL DIMENSIONS mm DIMENSIONS D'ENCOMBREMENT mm													ALBERO mm SHAFT mm ARBRE mm				PESO WEIGHT MASSE kg	
	DNa	DNm	A	B	C	D	E	F	G	H	I	L	M	N	O	P	d	e	u		t
S3 K100/2	100	80	716	148	230	-	237	330	200	175	210	70	19	-	25	-	38	80	10	41,5	118
S3 K100/3	100	80	813	148	230	384	334	330	200	175	210	70	19	16	25	51	38	80	10	41,5	149

PUMPER FOR SAMMENBYGNING M/ DIESELMOTOR

OCMIS MFO 80 S

OCMIS MFO 80 S												Varenr.	Enhedspris kr.	
Ydelse m3/t														
		30	40	50	60	80	100	120						
1440	m.v.s.	113	114	114	111	105	101	86						
	HK	25	33	37	40	50	55	58						
1520	m.v.s.	130	131	131	128	122	118	107						
	HK	29	37	42	45	57	67	72						

50 1720 585

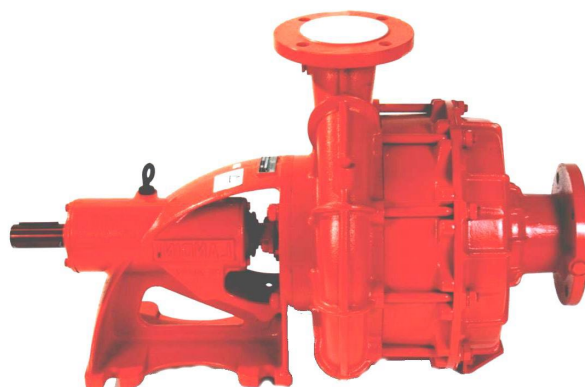
19.500,00



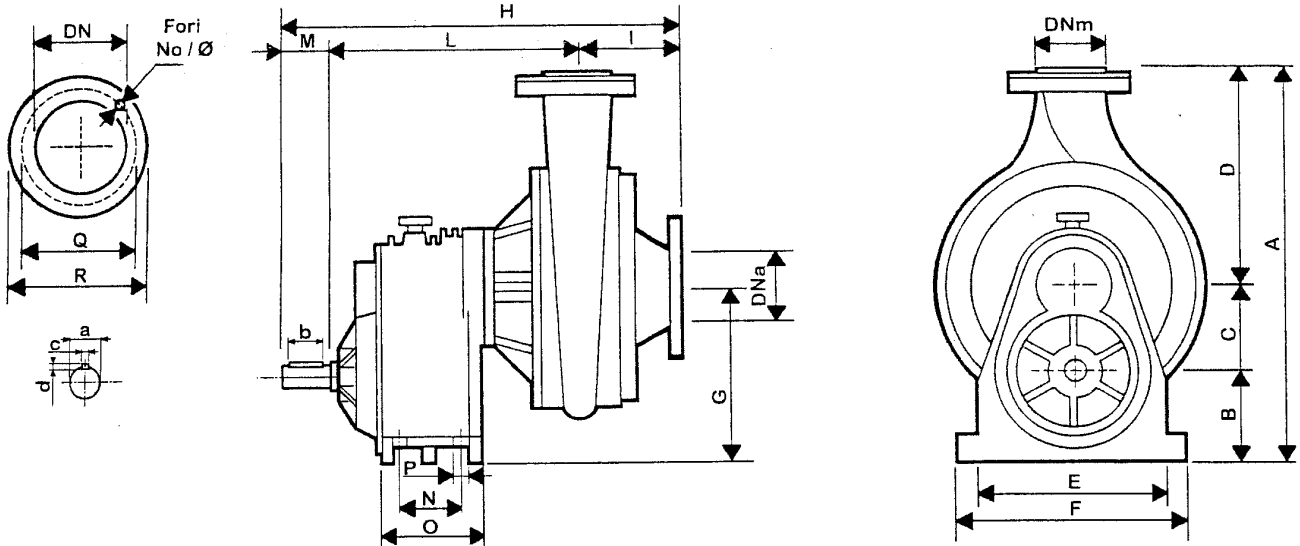
LANDINI MS80/3A

LANDINI MS80/3A													Varenr.	Enhedspris kr.
Ydelse m3/t														
Omdr.		48	54	60	66	72	84	96	108	120	135	150		
1450	m.v.s.	82,5	82	80	79	77	72,5	67	62	54,5	44,5			
	HK	24,7	26	27	28,4	29,5	32	34,5	36	38	39,5			
1750	m.v.s.	122	121	120	118	117	113	108	102	96	87	76		
	HK	39	41	43,5	45	47	51	54	58	61	64	67		
2000	m.v.s.	160	159	158	157	155	151	147	142	136	128	118		
	HK	55,4	58	61	63	66	70,4	75,5	80,4	85	90	95		

50 1704 830



SPECIFIKATIONER

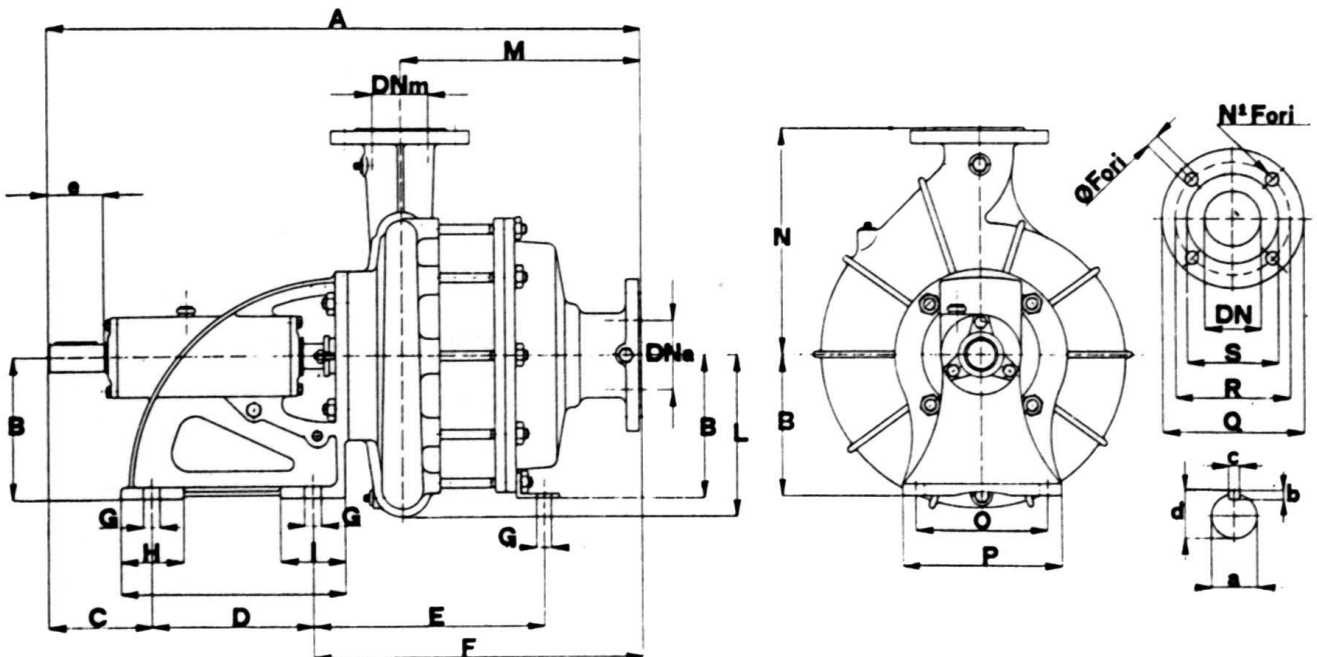


Målskitse MFO 80S

Typ	DNA	DNM	A	B	C	D	E	F	G	H	I	L	M	N	O	P		a	d	c	Kg
80 S	85	65	505	140	127	238	310	285	267	495	110	305	80	74	110	14		32	8	8	70

Målskitse MS 80/3

Typ	DNA	DNM	A	B	C	D	E	F	G	H	I	L	M	N	O	P	e	a	d	cx	cb	Kg
80/3	100	80	856	205	151	240	349	465	18	90	90	221	343	330	195	230	80	38	41,5	10x8		150



LANDINI BORERØRSPUMPER

D7B/100/6/24

Ydelse m³/t

	48	60	66	72	78	84	90	96
m.v.s.	114,8	112	108	103	97,6	92	84	73,3
HK	36,7	39,7	41	42,3	42,8	43,7	44	43,6

Max . Diameter: 175mm

Pumpe komplet for traktordrift

Varenr.

Enhedspris kr.

50 1705 140

Bestående af:

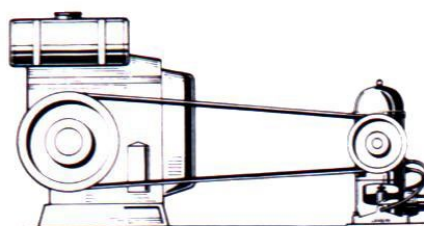
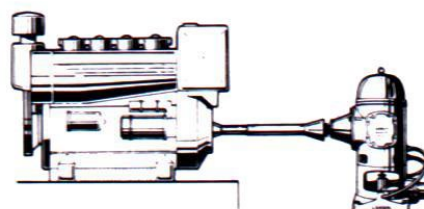
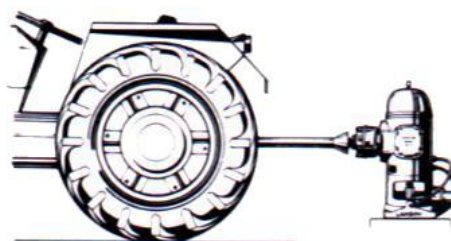
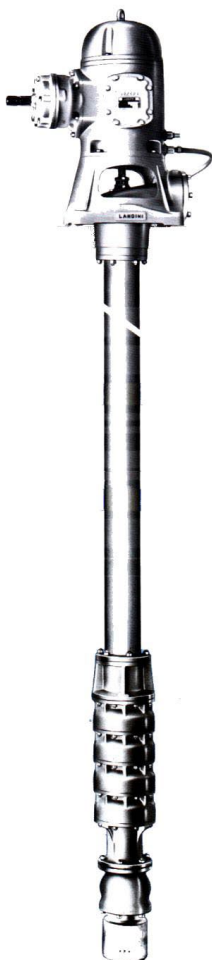
- 1 stk. Pumpe D7B/100/6/24
- 3 stk. Flangerør m/aksel 4" x 3 mtr. LA 100/24
- 1 stk. Sugerør 4" x 3 mtr. TA 100
- 1 stk. Bundventil VF 100
- 1 stk. Vinkelgear MG 100/24 - Udveksling 1:5,97=485 omdr. PTO
 Andre udvekslingsforhold kan tilbydes.


Ekstra tilbehør:

- Monteringsbeslag TS 100/1
- Ekstra flangerør m/aksel 4" x 3 mtr. LA 100/24

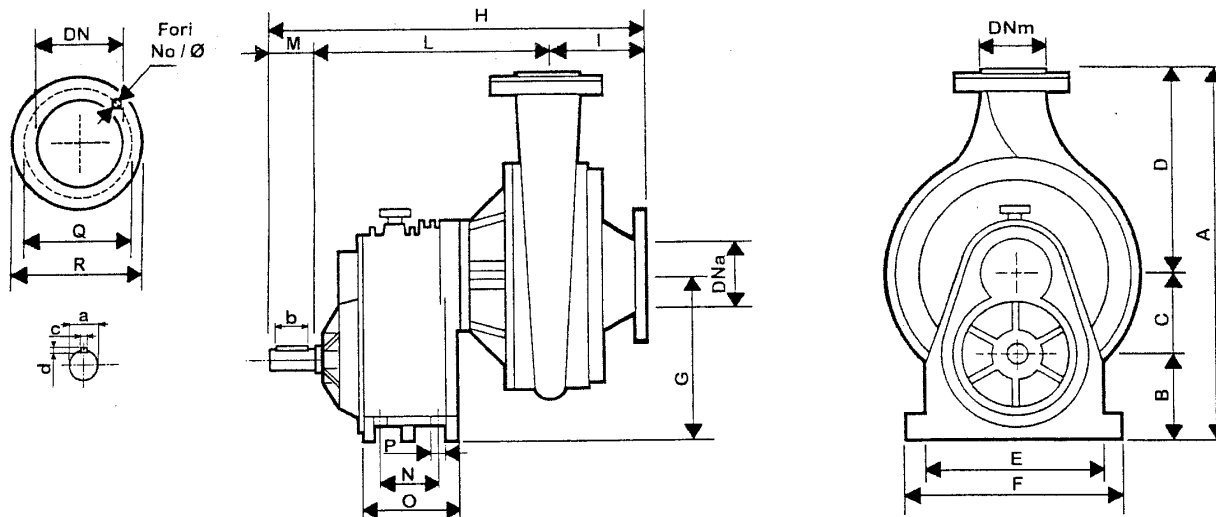
50 1705 910

50 1705 714








OCMIS TRAKTORPUMPE												
OCMIS TNO 80 S - ALENE										Varenr.	Enhedspris kr.	
Ydelse m3/t												
Rpm		30	40	50	60	80	100	120				
	m.v.s.	130	131	131	128	122	118	107				
540	HK	29	37	42	45	57	67	72				
Udveksling 1 : 7,0										50 1720 595	19.500,00	
PUMPE KOMPLET MED:												
Trepunktstel, Ansugningspumpe, HK bæger på sugeside, HK kobling på trykside, skydeventil, kontraventil og manometer												
Type		Sugeside				Trykside						
TNO 80 S		108 HK Bæger				89 HK Kobling						
										50 1720 095	29.175,00	
												

SPECIFIKATIONER



Målskitse TNO 80S

Typ e	DNA	DNM	A	B	C	D	E	F	G	H	I	L	M	N	O	P	a	d	c	Kg
80 S	85	65	505	140	127	238	310	285	267	495	110	305	80	74	110	14	13/8			70

TILBEHØR TIL TRAKTORPUMPER			
	SUGESTUDS Bestående af: Flange med bolte, pakninger og HK bæger	Varenr.	Enhedspris kr.
	NW 65 x 89 mm HK bæger	50 1750 065	682,00
	NW 65 x 108 mm HK bæger	50 1750 070	807,00
	NW 80 x 108 mm HK bæger	50 1750 080	807,00
	NW 100 x 108 mm HK bæger	50 1750 100	962,00
	TRYKSTUDS Bestående af: Flange med bolte og pakning, bøjning, kontraventil, HK-kobling, skydeventil, pressostatrør og manometer.		
	NW 50 x 76 mm HK kobling	50 1750 350	2.845,00
	NW 50 x 89 mm HK kobling	50 1750 355	3.112,00
	NW 65 x 89 mm HK kobling	50 1750 365	3.643,00
	NW 65 x 108 mm HK kobling	50 1750 370	3.437,00
NW 80 x 108 mm HK kobling	50 1750 380	3.872,00	
	PUMPESTEL Kraftig og robust model		
	Stel for traktorophæng	50 1750 550	4.235,00
	ANSUGNINGSPUMPE Pumpe, alene - Rovatti	50 1750 610	1.225,00
	Pumpe, komplet inkl: Studs, slange, skydev. fittings og spændebånd	50 1750 600	1.420,00
	SUGEKURV M/SLANGESTUDS Galvaniseret med slangestuds og bundventil		
	75 mm slangestuds	50 1752 075	862,00
	89 mm slangestuds	50 1752 089	872,00
	100 mm slangestuds	50 1752 100	915,00
	125 mm slangestuds	50 1752 125	1.387,00
	150 mm slangestuds	50 1752 150	1.503,00
200 mm slangestuds	50 1752 200	3.681,00	

ELMOTORER 2-POLET

3000 OMDR

3-fasede standardmotorer efter IE3 norm
400-660V - 50HZ.
Beskyttelsesgrad IP55, Isolationsklasse F

FODMOTOR B3



HK	KW	IEC str.	Aksel mm	Varenr.	Enhedspris kr.
1,0	0,75	80	19	50 1800 162	2.207,00
1,5	1,1	80	19	50 1800 191	2.503,00
2,0	1,5	90S	24	50 1800 227	3.033,00
3,0	2,2	90L	24	50 1800 256	3.623,00
4,0	3,0	100L	28	50 1800 285	4.480,00
5,5	4,0	112M	28	50 1800 312	5.493,00
7,5	5,5	132S	38	50 1800 349	7.537,00
10,0	7,5	132S	38	50 1800 378	6.929,00
15,0	11,0	160M	42	50 1800 433	12.809,00
20,0	15,0	160M	42	50 1800 462	14.383,00
25,0	18,5	160L	42	50 1800 491	16.214,00
30,0	22,0	180M	48	50 1800 527	21.266,00
40,0	30,0	200L	55	50 1800 556	25.343,00
50,0	37,0	200L	55	50 1800 585	27.563,00
60,0	45,0	225M	55	50 1800 611	37.049,00

Motorer til og med 40HK (30 KW)
er i aluminium. Øvrige i støbejern.

FLANGEMOTOR B5/B14



HK	KW	IEC str.	Aksel mm	Flange B5/B14	Enhedspris kr.
1,0	0,75	80	19	50 1800 175/188	2.273,00
1,5	1,1	80	19	50 1800 201/214	2.578,00
2,0	1,5	90S	24	50 1800 240/243	3.124,00
3,0	2,2	90L	24	50 1800 269/272	3.732,00
4,0	3,0	100L	28	50 1800 298/308	4.614,00
5,5	4,0	112M	28	50 1800 324/337	5.658,00
7,5	5,5	132S	38	50 1800 352	7.763,00
10,0	7,5	132S	38	50 1800 381	7.136,00
15,0	11,0	160M	42	50 1800 446	13.193,00
20,0	15,0	160M	42	50 1800 475	14.814,00
25,0	18,5	160L	42	50 1800 501	16.701,00
30,0	22,0	180M	48	50 1800 530	21.904,00
40,0	30,0	200L	55	50 1800 560	26.103,00
50,0	37,0	200L	55	50 1800 598	28.390,00
60,0	45,0	225S/M	55	50 1800 624	38.160,00

Motorer til og med 40HK (30 KW)
er i aluminium. Øvrige i støbejern.



TEKNISKE DATA

Motor type	Power kw	Speed rpm	Current at 400V		Efficiency (%)			Pf cos φ	Torque			IM J(kg ^m ²)	Weight kg
			I _N (A)	I _s /I _N	1/1 load	3/4 load	1/2 load		T _N	T _s /T _N	T _M /T _N		
Aluminium motors													
HMA2 56 1-2	0,09	2720	0,35	6,0	62	59	55	0,68	0,31	2,3	2,4	0,00010	3,7
HMA2 56 2-2	0,12	2720	0,38	6,0	67	64	60	0,71	0,43	2,3	2,4	0,00012	3,9
HMA2 63 1-2	0,18	2720	0,53	6,0	69	67	64	0,75	0,63	2,2	2,4	0,00013	4,1
HMA2 63 2-2	0,25	2720	0,75	6,0	68	66	63	0,76	0,88	2,2	2,4	0,00015	4,6
HMA2 71 1-2	0,37	2730	0,95	6,0	70	69	67	0,82	1,3	2,2	2,4	0,00044	6,0
HMA2 71 2-2	0,55	2730	1,33	6,0	73	72	70	0,82	1,9	2,2	2,4	0,00055	6,5
HMA2 80 1-2	0,75	2850	1,7	7,5	81,4	81,2	78,3	0,81	2,5	2,5	3,2	0,0011	9,0
HMA2 80 2-2	1,1	2880	2,3	7,7	80,9	79,9	76,1	0,82	3,6	3,2	3,3	0,0013	11
HMA2 90S-2	1,5	2850	3,1	8,4	83,5	83,0	80,2	0,85	4,9	2,9	3,1	0,0018	15
HMA2 90L-2	2,2	2850	4,4	8,5	85,7	85,8	83,9	0,85	7,2	2,9	3,2	0,0022	17
HMA2 100L-2	3,0	2890	5,8	8,7	85,7	85,5	83,4	0,87	9,9	3,1	3,5	0,0043	23
HMA2 112M1-2	4,0	2900	7,5	8,4	87,0	87,1	85,4	0,90	13	3,2	3,4	0,0065	32
HMA2 132S1-2	5,5	2880	10,5	8,4	87,0	86,3	83,6	0,89	18	2,4	3,5	0,015	45
HMA2 132S2-2	7,5	2900	13,5	8,4	88,1	87,6	85,3	0,90	25	2,4	3,5	0,016	51

Cast iron motors

HMC2 160M1-2	11	2930	20	7,9	89,4	89,3	87,5	0,89	36	2,2	2,3	0,040	123
HMC2 160M2-2	15	2930	27	8,0	90,3	90,3	89,2	0,89	49	2,2	2,3	0,047	132
HMC2 160L-2	18,5	2930	33	8,1	90,9	91,3	90,4	0,89	60	2,2	2,3	0,058	151
HMC2 180M-2	22	2940	39	8,2	91,3	91,1	89,7	0,89	71	2,2	2,3	0,079	203
HMC2 200L1-2	30	2950	53	7,5	92,0	92,2	90,7	0,89	97	2,2	2,3	0,130	246
HMC2 200L2-2	37	2950	65	7,5	92,5	92,7	90,1	0,89	119	2,2	2,3	0,146	256
HMC2 225M-2	45	2960	78	7,6	92,9	92,4	90,5	0,89	145	2,2	2,3	0,246	328
HMC2 225M1-2*	55	2960	96	10,2	93,2	93,1	92,3	0,89	177	2,0	2,3	0,337	355
HMC2 250M-2	55	2970	96	7,6	93,2	92,7	90,8	0,89	177	2,2	2,3	0,328	433
HMC2 250M1-2*	75	2970	130	9,0	93,8	93,7	92,8	0,89	241	2,0	2,3	0,602	433
HMC2 280S-2	75	2970	129	6,9	93,8	93,6	92,5	0,89	240	2,0	2,3	0,627	572
HMC2 280M-2	90	2970	155	7,0	94,1	93,9	92,8	0,89	289	2,0	2,3	0,709	632
HMC2 315S-2	110	2980	187	7,1	94,3	94,0	92,8	0,90	352	2,0	2,2	1,124	850
HMC2 315M-2	132	2980	223	7,1	94,6	94,0	92,8	0,90	425	2,0	2,2	1,91	930
HMC2 315L1-2	160	2980	267	7,1	94,8	94,1	92,9	0,91	513	2,0	2,2	2,18	1020
HMC2 315L2-2	200	2980	334	7,1	95,0	94,1	92,9	0,91	640	2,0	2,2	2,53	1120
HMC2 355M-2	250	2980	417	7,1	95,0	94,9	94,5	0,91	800	2,0	2,2	4,52	1820
HMC2 355L1-2	315	2980	526	7,1	95,0	94,9	94,5	0,91	1010	2,0	2,2	5,35	1850
HMC2 355L2-2	355	2980	590	7,1	95,3	95,3	95,0	0,92	1135	1,8	2,2	5,10	2150
HMC2 400M2-2	400	2980	675	7,1	95,5	95,5	95,2	0,92	1280	1,8	2,2	5,57	2950
HMC2 400M3-2	450	2980	755	7,1	95,5	95,5	95,2	0,92	1430	1,8	2,2	7,05	3200
HMC2 400L1-2	500	2985	830	7,0	95,8	95,8	95,5	0,92	1595	1,8	2,2	7,10	3250
HMC2 400L2-2	560	2985	930	7,0	95,8	95,8	95,5	0,92	1780	1,8	2,2	7,15	3300

Data at 400V 50Hz

At 230V 50Hz the current is $\sqrt{3}$ x current at 400V and at 690V the current is current at 400V / $\sqrt{3}$. All other data are identical.

*Motors with high power / small frame

ELMOTORER – 4 POLET

1500 OMDR

3-fasede standardmotorer efter IE3 norm
400-660V - 50HZ.
Beskyttelsesgrad IP55, Isolationsklasse F

FODMOTOR B3

HK	KW	IEC str.	Aksel mm
1,0	0,75	80	19
1,5	1,1	90S	24
2,0	1,5	90L	24
3,0	2,2	100L	28
4,0	3,0	100L	28
5,5	4,0	112M	28
7,5	5,5	132S	38
10,0	7,5	132M	38
15,0	11,0	160M	42
20,0	15,0	160L	42
25,0	18,5	180M	48
30,0	22,0	180L	48
40,0	30,0	200L	55
50,0	37,0	200L	55
60,0	45,0	225S/M	60

Varenr.

Enhedspris kr.

50 1801 093	2.597,00
50 1801 129	3.180,00
50 1801 158	3.310,00
50 1801 187	4.413,00
50 1801 213	5.387,00
50 1801 242	6.100,00
50 1801 270	8.437,00
50 1801 306	9.736,00
50 1801 364	13.867,00
50 1801 393	16.167,00
50 1801 429	21.333,00
50 1801 458	25.760,00
50 1801 487	31.862,00
50 1801 513	36.611,00
50 1801 571	39.508,00

Motorer til og med 40HK (30 KW)
er i aluminium. øvrige i støbejern.

FLANGEMOTOR B5/B14

HK	KW	IEC str.	Aksel mm
1,0	0,75	80	19
1,5	1,1	90S	24
2,0	1,5	90L	24
3,0	2,2	100L	28
4,0	3,0	100L	28
5,5	4,0	112M	28
7,5	5,5	132S	38
10,0	7,5	132M	38
15,0	11,0	160M	42
20,0	15,0	160L	42
25,0	18,5	180M	48
30,0	22,0	180L	48
40,0	30,0	200L	55
50,0	37,0	225S/M	60
60,0	45,0	225S/M	60

Flange B5/B14

50 1801 103/116	2.675,00
50 1801 132/145	3.275,00
50 1801 161/174	3.409,00
50 1801 200/210	4.546,00
50 1801 226/239	5.548,00
50 1801 255/268	6.283,00
50 1801 283	8.690,00
50 1801 319	10.029,00
50 1801 377	14.283,00
50 1801 403	16.652,00
50 1801 432	21.973,00
50 1801 461	26.533,00
50 1801 491	32.818,00
50 1801 555	37.709,00
50 1801 584	40.693,00

Motorer til og med 40HK (30 KW)
er i aluminium. øvrige i støbejern.



TEKNISKE DATA

Motor type	Power kw	Speed rpm	Current at 400V		Efficiency (%)			Pf cos φ	Torque			IM J(kgm ²)	Weight kg
			I _N (A)	I ₂ /I _N	1/1 load	3/4 load	1/2 load		T _N	T _S /T _N	T _M /T _N		
Aluminium motors													
HMA2 56 1-4	0,06	1380	0,35	6,0	46	43	38	0,58	0,42	2,3	2,4	0,00020	3,5
HMA2 56 2-4	0,09	1380	0,40	6,0	49	46	41	0,55	0,62	2,3	2,4	0,00021	3,7
HMA2 63 1-4	0,12	1350	0,50	6,0	53	50	45	0,63	0,85	2,2	2,4	0,00025	4,0
HMA2 63 2-4	0,18	1340	0,71	6,0	56	53	48	0,62	1,3	2,2	2,4	0,00028	4,2
HMA2 71 1-4	0,25	1390	0,80	6,0	65	62	58	0,68	1,7	2,2	2,4	0,00044	6,0
HMA2 71 2-4	0,37	1380	1,1	6,0	67	64	60	0,73	2,6	2,2	2,4	0,00054	6,4
HMA2 80 1-4	0,55	1370	1,52	6,0	73	72	68	0,73	3,8	2,2	2,4	0,0012	9,5
HMA2 80 2-4	0,75	1420	1,8	5,9	80,8	81,1	78,8	0,78	5,0	2,5	2,6	0,0017	13
HMA2 90S-4	1,1	1420	2,6	5,5	81,5	81,2	79,6	0,73	7,4	2,5	3,2	0,0023	17
HMA2 90L-4	1,5	1450	3,4	6,6	84,4	83,7	80,6	0,71	9,9	2,7	3,4	0,0031	18
HMA2 100L1-4	2,2	1440	4,6	7,3	85,2	84,8	82,3	0,78	14,5	2,5	3,4	0,0078	26
HMA2 100L2-4	3,0	1440	6,1	7,3	86,3	85,9	83,6	0,77	20	2,6	3,4	0,0087	28
HMA2 112M2-4	4,0	1450	7,9	7,1	86,7	86,9	85,2	0,84	26	2,2	2,9	0,019	37
HMA2 132S-4	5,5	1450	11	7,5	88,4	88,1	86,2	0,80	36	2,3	3,3	0,033	51
HMA2 132M2-4	7,5	1460	15	7,3	88,9	89,1	87,9	0,82	49	2,2	3,2	0,041	62

Cast iron motors

HMC2 160M-4	11	1460	21	7,5	89,8	89,7	89,2	0,85	72	2,2	2,3	0,078	123
HMC2 160L-4	15	1460	28	7,5	90,6	90,5	87,9	0,86	98	2,2	2,3	0,096	153
HMC2 180M-4	18,5	1470	34	7,7	91,2	91,7	91,0	0,86	120	2,2	2,3	0,146	204
HMC2 180L-4	22	1470	40	7,8	91,6	91,9	91,3	0,86	143	2,2	2,3	0,166	215
HMC2 200L-4	30	1470	54	7,2	92,3	92,8	91,3	0,86	194	2,2	2,3	0,275	243
HMC2 200L1-4*	37	1470	67	8,3	92,7	92,6	91,5	0,86	240	2,2	2,3	0,483	318
HMC2 225S-4	37	1475	67	7,3	92,7	92,8	90,9	0,86	238	2,2	2,3	0,426	305
HMC2 225M-4	45	1475	81	7,4	93,1	93,1	91,3	0,86	290	2,2	2,3	0,492	328
HMC2 225M1-4*	55	1480	98	9,2	93,5	93,4	92,7	0,87	355	2,2	2,3	0,746	365
HMC2 250M-4	55	1480	99	7,4	93,5	93,8	91,5	0,86	354	2,2	2,3	0,693	452
HMC2 250M1-4*	75	1480	134	9,0	94,0	93,9	93,0	0,86	484	2,2	2,3	1,29	452
HMC2 280S-4	75	1485	130	6,7	94,0	94,2	92,4	0,88	483	2,2	2,3	1,18	592
HMC2 280M-4	90	1485	156	6,9	94,2	94,5	92,7	0,88	580	2,2	2,3	1,53	672
HMC2 280MB-4*	110	1480	194	9,3	94,5	94,4	93,6	0,87	710	2,1	2,2	2,87	672
HMC2 315S-4	110	1485	191	6,9	94,5	94,7	94,7	0,88	705	2,2	2,3	3,27	840
HMC2 315M-4	132	1485	228	6,9	94,7	94,9	94,3	0,88	850	2,2	2,3	3,80	930
HMC2 315L1-4	160	1485	273	6,9	94,9	95,2	94,7	0,89	1030	2,2	2,3	4,34	1000
HMC2 315L2-4	200	1485	341	6,9	95,1	95,3	94,8	0,89	1285	2,2	2,3	5,37	1080
HMC2 315L3-4*	250	1480	425	7,3	95,2	95,3	94,7	0,89	1606	2,2	2,4	6,7	1350
HMC2 355M-4	250	1490	421	6,9	95,1	95,5	94,8	0,90	1610	2,2	2,4	8,51	1650
HMC2 355L-4	315	1490	531	7,0	95,1	95,5	94,8	0,90	2025	2,2	2,4	10,8	1830
HMC2 355LB-4	355	1485	600	7,5	95,3	95,5	95,2	0,92	2285	2,2	2,4	12,4	2170
HMC2 400M1-4	400	1490	690	6,9	95,5	95,6	95,4	0,89	2565	1,4	3,0	14,9	3000
HMC2 400M2-4	450	1490	775	6,9	95,5	95,6	95,5	0,89	2885	1,4	3,0	15,2	3100
HMC2 400L1-4	500	1490	850	7,0	95,6	95,7	95,6	0,89	3200	1,3	3,0	18,5	3200
HMC2 400L2-4	560	1490	945	7,0	96,0	96,0	95,9	0,89	3590	1,4	3,0	19,4	3400
HMC2 400L3-4	630	1490	1110	7,1	96,0	96,1	96,0	0,89	4040	1,5	3,1	21,1	3500

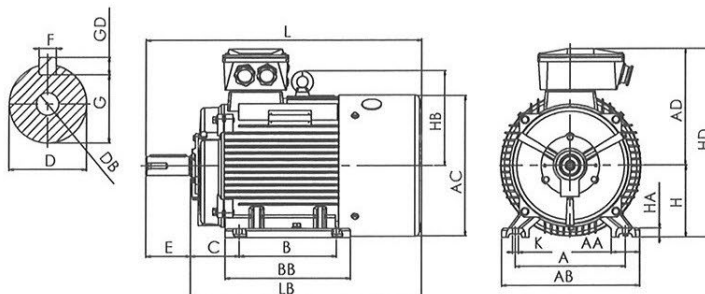
Data at 400V 50Hz

At 230V 50Hz the current is $\sqrt{3}$ x current at 400V and at 690V the current is current at 400V / $\sqrt{3}$. All other data are identical.

*Motors with high power / small frame

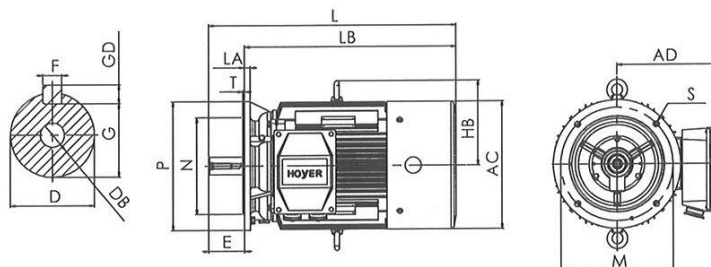
MÅLSKITSER B3

IE2 / B3
 Industrial



Motor type	Pole	A	AA	AB	AC	AD	B	BB	C	D	DB	E	F	G	GD	H	HA	HB	HD	K	L	LB
Aluminum motors																						
HMA2 56	-	90	20	110	115	100	71	90	36	9	M4	20	3	7,2	3	56	7,5	-	156	5,8	195	175
HMA2 63	-	100	22	125	125	100	80	108	40	11	M4	23	4	8,5	4	63	9	-	163	7	215	192
HMA2 71	-	112	24	140	140	110	90	114	45	14	M5	30	5	11	5	71	9	-	181	7	246	216
HMA2 80	-	125	27	160	158	128	100	122	50	19	M6	40	6	15,5	6	80	12	-	208	10	290	250
HMA2 90S	-	140	35	175	175	132	100	155	56	24	M8	50	8	20	7	90	13	-	222	10	335	285
HMA2 90L	-	140	35	175	175	132	125	155	56	24	M8	50	8	20	7	90	13	-	222	10	361	311
HMA2 100L	-	160	42	205	197	147	140	176	63	28	M10	60	8	24	7	100	12	-	247	12	400	350
HMA2 112M1	-	190	45	222	220	169	140	180	70	28	M10	60	8	24	7	112	13	145	281	12	394	334
HMA2 112M2	-	190	45	222	220	169	140	180	70	28	M10	60	8	24	7	112	13	145	281	12	422	362
HMA2 132S	-	216	50	256	260	188	140	180	89	38	M12	80	10	33	8	132	16,5	165	320	12	462	382
HMA2 132M1	-	216	50	256	260	188	178	218	89	38	M12	80	10	33	8	132	16,5	165	320	12	500	420
HMA2 132M2	-	216	50	256	260	188	178	218	89	38	M12	80	10	33	8	132	16,5	165	320	12	525	445
Cast iron motors																						
HMC2 160M	-	254	65	320	316	277	210	260	108	42	M16	110	12	37	8	160	20	222	437	14,5	615	505
HMC2 160L	-	254	65	320	316	277	254	305	108	42	M16	110	12	37	8	160	20	222	437	14,5	670	560
HMC2 180M	-	279	70	355	356	297	241	315	121	48	M16	110	14	42,5	9	180	22	237	477	14,5	700	590
HMC2 180L	-	279	70	355	356	297	279	355	121	48	M16	110	14	42,5	9	180	22	237	477	14,5	740	630
HMC2 200L	-	318	70	395	396	321	305	375	133	55	M20	110	16	49	10	200	25	262	521	18,5	770	660
HMC2 200L1*	4,6,8	318	70	388	397	313	305	369	133	55	M20	110	16	46	10	200	25	263	513	18,5	769	660
HMC2 225S	4,6,8	356	75	435	446	346	286	375	149	60	M20	140	18	53	11	225	28	285	571	18,5	815	675
HMC2 225M	2	356	75	435	446	346	311	400	149	55	M20	110	16	49	10	225	28	285	571	18,5	820	710
	4,6,8	356	75	435	446	346	311	400	149	60	M20	140	18	53	11	225	28	285	571	18,5	845	705
HMC2 225M1*	2	356	75	431	463	347	311	393	149	55	M20	110	16	49	10	225	28	572	572	18,5	864	754
	4,6,8	356	75	431	463	347	311	393	149	60	M20	140	18	53	11	225	28	307	572	18,5	864	754
HMC2 250M	2	406	80	490	490	367	349	445	168	60	M20	140	18	53	11	250	30	316	617	24	915	775
	4,6,8	406	80	490	490	367	349	445	168	65	M20	140	18	58	11	250	30	316	617	24	915	775
HMC2 250M1*	2	406	80	484	500	390	349	450	168	60	M20	140	18	53	11	250	30	361	640	24	1015	875
	4,6,8	406	80	484	500	390	349	450	168	65	M20	140	18	58	11	250	30	361	640	24	1015	875
HMC2 280S	2	457	85	550	550	405	368	490	190	65	M20	140	18	58	11	280	35	345	685	24	985	845
	4,6,8	457	85	550	550	405	368	490	190	75	M20	140	20	67,5	12	280	35	345	685	24	985	845
HMC2 280M	2	457	85	550	550	405	419	540	190	65	M20	140	18	58	11	280	35	345	685	24	1035	895
	4,6,8	457	85	550	550	405	419	540	190	75	M20	140	20	67,5	12	280	35	345	685	24	1035	895

MÅLSKITSER B5

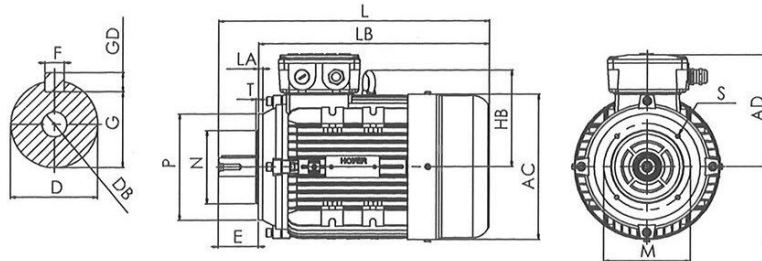


IE2 / B5
 Industrial

Motor type	Pole	AC	AD	D	DB	E	F	G	GD	HB	L	LA	LB	M	N	P	S	T	
Aluminum motors																			
HMA2 56	-	115	100	9	M4	20	3	7,2	3	-	195	7	175	100	80	120	4-Ø7	3	
HMA2 63	-	125	100	11	M4	23	4	8,5	4	-	215	9	192	115	95	140	4-Ø10	3	
HMA2 71	-	140	110	14	M5	30	5	11	5	-	246	10	216	130	110	160	4-Ø10	3,5	
HMA2 80	-	158	128	19	M6	40	6	15,5	6	-	290	10	250	165	130	200	4-Ø12	3,5	
HMA2 90S	-	175	132	24	M8	50	8	20	7	-	335	10	285	165	130	200	4-Ø12	3,5	
HMA2 90L	-	175	132	24	M8	50	8	20	7	-	361	10	311	165	130	200	4-Ø12	3,5	
HMA2 100L	-	197	147	28	M10	60	8	24	7	-	400	14	350	215	180	250	4-Ø15	4	
HMA2 112M1	-	220	169	28	M10	60	8	24	7	145	394	14	334	215	180	250	4-Ø15	4	
HMA2 112M2	-	220	169	28	M10	60	8	24	7	145	422	14	362	215	180	250	4-Ø15	4	
HMA2 132S	-	260	188	38	M12	80	10	33	8	165	462	15	382	265	230	300	4-Ø15	4	
HMA2 132M1	-	260	188	38	M12	80	10	33	8	165	500	15	420	265	230	300	4-Ø15	4	
HMA2 132M2	-	260	188	38	M12	80	10	33	8	165	525	15	445	265	230	300	4-Ø15	4	
Cast iron motors																			
HMC2 160M	-	316	277	42	M16	110	12	37	8	222	615	18	505	300	250	350	4-Ø18,5	5	
HMC2 160L	-	316	277	42	M16	110	12	37	8	222	670	18	560	300	250	350	4-Ø18,5	5	
HMC2 180M	-	356	297	48	M16	110	14	42,5	9	237	700	18	590	300	250	350	4-Ø18,5	5	
HMC2 180L	-	356	297	48	M16	110	14	42,5	9	237	740	20	630	300	250	350	4-Ø18,5	5	
HMC2 200L	-	396	321	55	M20	110	16	49	10	262	770	20	660	350	300	400	4-Ø18,5	5	
HMC2 200L1*	4,6,8	397	313	55	M20	110	16	49	10	263	769	17	660	350	300	400	4-Ø18,5	5	
HMC2 225S	4,6,8	446	346	60	M20	140	18	53	11	285	815	22	675	400	350	450	8-Ø18,5	5	
HMC2 225M	2	446	346	55	M20	110	16	49	10	285	820	22	710	400	350	450	8-Ø18,5	5	
	4,6,8	446	346	60	M20	140	18	53	11	285	845	22	705	400	350	450	8-Ø18,5	5	
HMC2 225M1*	2	463	347	55	M20	110	16	49	10	307	864	20	754	400	350	450	8-Ø18,5	5	
	4,6,8	463	347	60	M20	140	18	53	11	307	864	20	754	400	350	450	8-Ø18,5	5	
HMC2 250M	2	490	367	60	M20	140	18	53	11	316	915	24	775	500	450	550	8-Ø18,5	5	
	4,6,8	490	367	65	M20	140	18	58	11	316	915	24	775	500	450	550	8-Ø18,5	5	
HMC2 250M1*	2	500	390	60	M20	140	18	53	11	361	1015	22	875	500	450	550	8-Ø18,5	5	
	4,6,8	500	390	65	M20	140	18	58	11	361	1015	22	875	500	450	550	8-Ø18,5	5	
HMC2 280S	2	550	405	65	M20	140	18	58	11	345	985	24	845	500	450	550	8-Ø18,5	5	
	4,6,8	550	405	75	M20	140	20	67,5	12	345	985	24	845	500	450	550	8-Ø18,5	5	
HMC2 280M	2	550	405	65	M20	140	18	58	11	345	1035	24	895	500	450	550	8-Ø18,5	5	
	4,6,8	550	405	75	M20	140	20	67,5	12	345	1035	24	895	500	450	550	8-Ø18,5	5	

MÅLSKITSER B14 - LEJETABEL

IE2 / B14
 Industrial



Motor type	B14A small or C DIN flange															B14B big					
	AC	AD	D	DB	E	F	G	GD	HB	L	LB	M	N	P	S	T	M	N	P	S	T
Aluminum motors																					
HMA2 56	115	100	9	M4	20	3	7,2	3	-	195	175	65	50	80	4-M5	2,5	-	-	-	-	-
HMA2 63	125	100	11	M4	23	4	8,5	4	-	215	192	75	60	90	4-M5	2,3	-	-	-	-	-
HMA2 71	140	110	14	M5	30	5	11	5	-	246	216	85	70	105	4-M6	2,5	115	95	140	4-M8	3
HMA2 80	158	128	19	M6	40	6	15,5	6	-	290	250	100	80	120	4-M6	3	130	110	160	4-M8	3,5
HMA2 90S	175	132	24	M8	50	8	20	7	-	335	285	115	95	140	4-M8	3	130	110	160	4-M8	3,5
HMA2 90L	175	132	24	M8	50	8	20	7	-	361	311	115	95	140	4-M8	3	130	110	160	4-M8	3,5
HMA2 100L	197	147	28	M10	60	8	24	7	-	400	350	130	110	160	4-M8	3,5	165	130	200	4-M10	4
HMA2 112M1	220	169	28	M10	60	8	24	7	145	394	334	130	110	160	4-M8	3,5	165	130	200	4-M10	4
HMA2 112M2	220	169	28	M10	60	8	24	7	145	422	362	130	110	160	4-M8	3,5	165	130	200	4-M10	4
HMA2 132S	260	188	38	M12	80	10	33	8	165	462	382	165	130	200	4-M10	4	-	-	-	-	-
HMA2 132M1	260	188	38	M12	80	10	33	8	165	500	420	165	130	200	4-M10	4	-	-	-	-	-
HMA2 132M2	260	188	38	M12	80	10	33	8	165	500	420	165	130	200	4-M10	4	-	-	-	-	-

Bearings

Motor type	Drive end		None drive end	
	2 pole	4,6,8 pole	2 pole	4,6,8 pole
HMA2 56	6201-ZZ/C3		6201-ZZ/C3	
HMA2 63	6201-ZZ/C3		6201-ZZ/C3	
HMA2 71	6202-ZZ/C3		6202-ZZ/C3	
HMA2 80	6204-ZZ/C3		6204-ZZ/C3	
HMA2 90	6205-ZZ/C3		6204-ZZ/C3	
HMA2 100	6206-ZZ/C3		6206-ZZ/C3	
HMA2 112	6306-ZZ/C3		6306-ZZ/C3	
HMA2 132	6308-ZZ/C3		6308-ZZ/C3	
HMC2 160	6309-ZZ/C3		6309-ZZ/C3	
HMC2 180	6311-ZZ/C3		6311-ZZ/C3	
HMC2 200	6312-ZZ/C3		6312-ZZ/C3	
HMC2 200L1*	6212-ZZ/C3		6212-ZZ/C3	
HMC2 225	6312-ZZ/C3	6313-ZZ/C3	6312-ZZ/C3	
HMC2 225M1*	6313-ZZ/C3	6314-ZZ/C3	6313-ZZ/C3	
HMC2 250	6313/C3	6314/C3	6313/C3	
HMC2 250M1*	6314/C3	6315/C3	6314/C3	
HMC2 280	6314/C3	6317/C3	6314/C3	

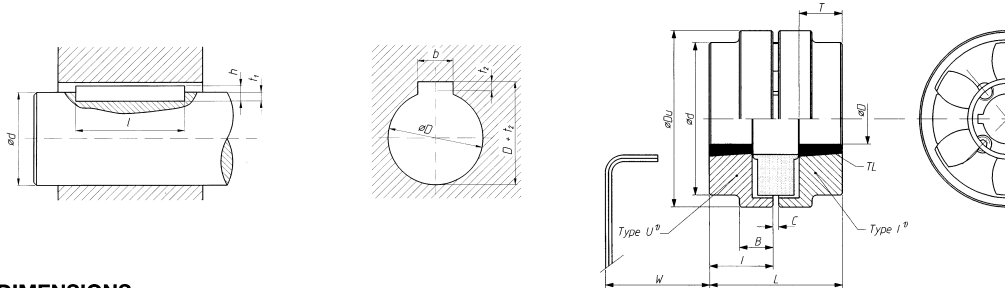
Cable glands

Motor type	Cable glands	Blind caps
HMA2 56	1 x M20x1,5	1 x M20x1,5
HMA2 63	1 x M20x1,5	1 x M20x1,5
HMA2 71	1 x M20x1,5	1 x M20x1,5
HMA2 80	1 x M20x1,5	1 x M20x1,5
HMA2 90	1 x M20x1,5	1 x M20x1,5
HMA2 100	1 x M20x1,5	1 x M20x1,5
HMA2 112	1 x M20x1,5	1 x M20x1,5
HMA2 132	2 x M25x1,5	1 x M20x1,5
HMC2 160	2 x M40x1,5	2 x M20x1,5
HMC2 180	2 x M40x1,5	2 x M20x1,5
HMC2 200	2 x M50x1,5	2 x M20x1,5
HMC2 225	2 x M50x1,5	2 x M20x1,5
HMC2 250	2 x M63x1,5	2 x M20x1,5
HMC2 280	2 x M63x1,5	2 x M20x1,5
HMC2 315	2 x M63x1,5	2 x M20x1,5
HMC2 355	2 x M72x2,0	2 x M20x1,5
HMC2 400	2 x M80x2,0	2 x M20x1,5

MOTORKOBLINGER

BICO MOTORKOBL. 70TL				Varenr.	Enhedspris kr.
	Bico motorkoblingsæt består af: 2 stk. Koblingshalvparter 1 stk. Gummielement 2 stk. Taper-lock bøsninger				
	Koblingshalvpart:				
	Type 70TL, indv. Montering			50 1852 131	151,00
	Type 70TL, udv. Montering			50 1852 132	151,00
	Gummielement:				
	Type 70TL			50 1852 135	60,00
	Taper-lock bøsninger:				
	Udboring mm	Not mm	Type		
	9	3	1008	50 1852 209	77,00
	10	3	1008	50 1852 210	77,00
	11	4	1008	50 1852 211	77,00
	12	4	1008	50 1852 212	77,00
	14	5	1008	50 1852 214	77,00
	16	5	1008	50 1852 216	77,00
	18	6	1008	50 1852 218	77,00
19	6	1008	50 1852 219	77,00	
20	6	1008	50 1852 220	77,00	
22	6	1008	50 1852 222	77,00	
24	8	1008	50 1852 224	77,00	
25	8	1008	50 1852 225	77,00	
Udv. Diameter på bøsning: 70mm Skruer: WG x Længde 7/16" x 7/8" Forspændingsmoment: Nm 31					

TEKNISKE DATA



DIMENSIONS

Size of coupling BICO-TL	Bores		Bush TL	Du	d	L	I	T	B	C	Wrench clearance W
	Min. D	Max. D									
Ref.	mm	mm	Ref.	mm	mm	mm	mm	mm	mm	mm	mm
70-TL	9	25	1008	69	60	65,0	30,2	23,5	10,5	4,6	29
90-TL	9	28	1108	85	70	70,0	33,2	23,5	13,7	3,6	29
110-TL	11	32	1210	112	100	83,0	39,7	27,0	21,0	3,6	38
130-TL	14	42	1610	130	105	90,0	42,0	27,0	24,0	6,0	38
150-TL	14	50	2012	150	115	107,0	50,0	33,5	26,5	7,2	42
180-TL	16	60	2517	180	125	141,0	67,0	46,5	32,5	7,2	48
230-TL	25	75	3020	225	155	164,0	76,6	52,5	37,5	10,8	55
280-TL	35	100	3525	275	206	207,5	100,6	66,5	49,6	6,3	67

TYPE OF RUBBER

Type	Characteristics	Temperature standard range	Wear resistance	Resistancy against oil
Ref.		°C		
F	Nitril rubber, standard quality for all applications	-20 < t < +60	Good	Very good

DIMENSIONS

Diameter		Keys cross-sect. b x h	Keyway depth		Tol. for t ₁ / t ₂
above	up to		shaft t ₁	hub t ₂	
mm	mm	mm	mm	mm	mm
6	8	2 x 2	1,2	1,0	+ 0,1 0
8	10	3 x 3	1,8	1,4	
10	12	4 x 4	2,5	1,8	
12	17	5 x 5	3,0	2,3	
17	22	6 x 6	3,5	2,8	
22	30	8 x 7	4,0	3,3	+ 0,2 0
30	38	10 x 8	5,0	3,3	
38	44	12 x 8	5,0	3,3	
44	50	14 x 9	5,5	3,8	
50	58	16 x 10	6,0	4,3	
58	65	18 x 11	7,0	4,4	
65	75	20 x 12	7,5	4,9	
75	85	22 x 14	9,0	5,4	
85	95	25 x 14	9,0	5,4	
95	110	28 x 16	10,0	6,4	
110	130	32 x 18	11,0	7,4	+ 0,3 0
130	150	36 x 20	12,0	8,4	
150	170	40 x 22	13,0	9,4	
170	200	45 x 25	15,0	10,4	
200	230	50 x 28	17,0	11,4	

(ISO R 773: 1969)

ISO TOLERANCES

Nom. diameter		Bore		Shaft			
above	up to	H7	H8	k6	j6	g6	h7
mm	mm	µm	µm	µm	µm	µm	µm
6	10	+15 0	+22 0	+10 +1	+7 -2	-5 -14	0 -15
10	18	+18 0	+27 0	+12 +1	+8 -3	-6 -17	0 -18
18	30	+21 0	+33 0	+15 +2	+9 -4	-7 -20	0 -21
30	50	+25 0	+39 0	+18 +2	+11 -5	-9 -25	0 -25
50	80	+30 0	+46 0	+21 +2	+12 -7	-10 -29	0 -30
80	120	+35 0	+54 0	+25 +3	+13 -9	-12 -34	0 -35
120	180	+40 0	+63 0	+28 +3	+14 -11	-14 -39	0 -40
180	250	+46 0	+72 0	+33 +4	+16 -13	-15 -44	0 -46

(ISO 286-1: 1988)

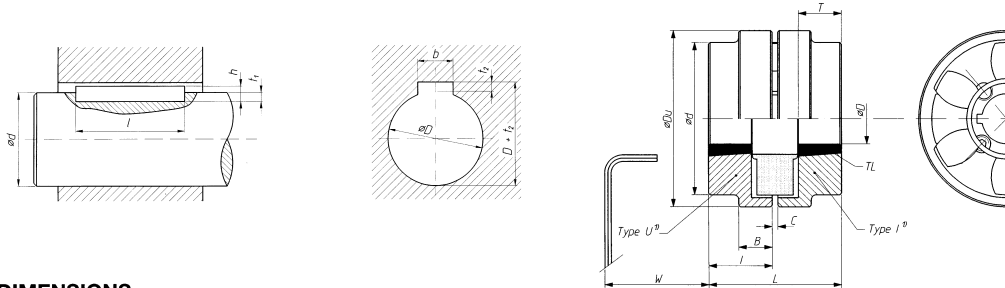
FITS

Type of fit	Keyway width		Diameter		Characteristic of fit
	Shaft	Hub	Shaft	Hub	
Clearance fit	H8	D10	g6	H7	Moveable
Clearance fit	N9	Js9	h7	H8	Easy mounting
Push fit Easy to pull out	P9	P9	j6	H7	For oscillation torques
Transition fit hard to pull out	P9	P9	k6	H7	Solid, only rarely dismounting

MOTORKOBLINGER

				Varenr.	Enhedspris kr.
BICO MOTORKOBL. 90TL					
Bico motorkoblingsæt består af: 2 stk. Koblingshalvparter 1 stk. Gummielement 2 stk. Taper-lock bøsninger					
Koblingshalvpart:					
Type 90TL, indiv. Montering				50 1853 131	172,00
Type 90TL, udv. Montering				50 1853 132	172,00
Gummielement:					
Type 90TL				50 1853 135	66,00
Taper-lock bøsninger:					
	Udboring mm	Not mm	Type		
	9	3	1108	50 1853 209	77,00
	10	3	1108	50 1853 210	77,00
	11	4	1108	50 1853 211	77,00
	12	4	1108	50 1853 212	77,00
	14	5	1108	50 1853 214	77,00
	16	5	1108	50 1853 216	77,00
	18	6	1108	50 1853 218	77,00
	19	6	1108	50 1853 219	77,00
	20	6	1108	50 1853 220	77,00
	22	6	1108	50 1853 222	77,00
	24	8	1108	50 1853 224	77,00
	25	8	1108	50 1853 225	77,00
	28	8	1108	50 1853 228	77,00
Udv. Diameter på bøsning: 70mm Skruer: WG x Længde 7/16" x 7/8" Forspændingsmoment: Nm 31					

TEKNISKE DATA



DIMENSIONS

Size of coupling BICO-TL	Bores		Bush TL	Du	d	L	l	T	B	C	Wrench clearance W
	Min. D	Max. D									
Ref.	mm	mm	Ref.	mm	mm	mm	mm	mm	mm	mm	mm
70-TL	9	25	1008	69	60	65,0	30,2	23,5	10,5	4,6	29
90-TL	9	28	1108	85	70	70,0	33,2	23,5	13,7	3,6	29
110-TL	11	32	1210	112	100	83,0	39,7	27,0	21,0	3,6	38
130-TL	14	42	1610	130	105	90,0	42,0	27,0	24,0	6,0	38
150-TL	14	50	2012	150	115	107,0	50,0	33,5	26,5	7,2	42
180-TL	16	60	2517	180	125	141,0	67,0	46,5	32,5	7,2	48
230-TL	25	75	3020	225	155	164,0	76,6	52,5	37,5	10,8	55
280-TL	35	100	3525	275	206	207,5	100,6	66,5	49,6	6,3	67

TYPE OF RUBBER

Type	Characteristics	Temperature standard range	Wear resistance	Resistancy against oil
Ref.		°C		
F	Nitril rubber, standard quality for all applications	-20 < t < +60	Good	Very good

DIMENSIONS

Diameter		Keys cross-sect. b x h	Keyway depth		Tol. for t ₁ / t ₂
above	up to		shaft t ₁	hub t ₂	
6	8	2 x 2	1,2	1,0	+ 0,1 0
8	10	3 x 3	1,8	1,4	
10	12	4 x 4	2,5	1,8	
12	17	5 x 5	3,0	2,3	
17	22	6 x 6	3,5	2,8	
22	30	8 x 7	4,0	3,3	+ 0,2 0
30	38	10 x 8	5,0	3,3	
38	44	12 x 8	5,0	3,3	
44	50	14 x 9	5,5	3,8	
50	58	16 x 10	6,0	4,3	
58	65	18 x 11	7,0	4,4	
65	75	20 x 12	7,5	4,9	
75	85	22 x 14	9,0	5,4	
85	95	25 x 14	9,0	5,4	
95	110	28 x 16	10,0	6,4	
110	130	32 x 18	11,0	7,4	+ 0,3 0
130	150	36 x 20	12,0	8,4	
150	170	40 x 22	13,0	9,4	
170	200	45 x 25	15,0	10,4	
200	230	50 x 28	17,0	11,4	

(ISO R 773: 1969)

ISO TOLERANCES

Nom. diameter		Bore		Shaft			
above	up to	H7	H8	k6	j6	g6	h7
mm	mm	µm	µm	µm	µm	µm	µm
6	10	+15 0	+22 0	+10 +1	+7 -2	-5 -14	0 -15
10	18	+18 0	+27 0	+12 +1	+8 -3	-6 -17	0 -18
18	30	+21 0	+33 0	+15 +2	+9 -4	-7 -20	0 -21
30	50	+25 0	+39 0	+18 +2	+11 -5	-9 -25	0 -25
50	80	+30 0	+46 0	+21 +2	+12 -7	-10 -29	0 -30
80	120	+35 0	+54 0	+25 +3	+13 -9	-12 -34	0 -35
120	180	+40 0	+63 0	+28 +3	+14 -11	-14 -39	0 -40
180	250	+46 0	+72 0	+33 +4	+16 -13	-15 -44	0 -46

(ISO 286-1: 1988)

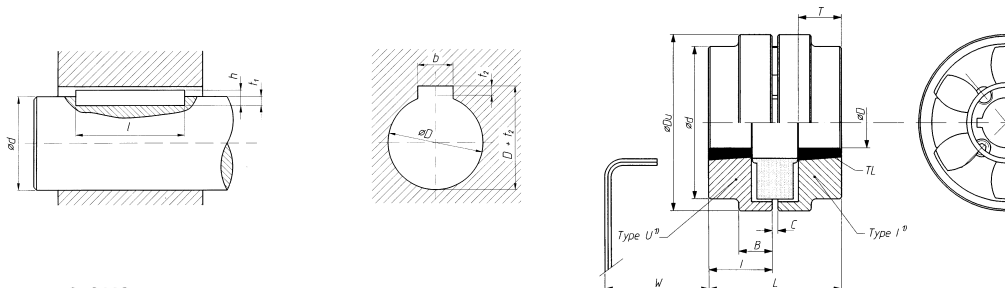
FITS

Type of fit	Keyway width		Diameter		Characteristic of fit
	Shaft	Hub	Shaft	Hub	
Clearance fit	H8	D10	g6	H7	Moveable
Clearance fit	N9	Js9	h7	H8	Easy mounting
Push fit Easy to pull out	P9	P9	j6	H7	For oscillation torques
Transition fit hard to pull out	P9	P9	k6	H7	Solid, only rarely dismounting

MOTORKOBLINGER

			Varenr.	Enhedspris kr.
BICO MOTORKOBL. 130TL				
Bico motorkoblingsæt består af: 2 stk. Koblingshalvparter 1 stk. Gummielement 2 stk. Taper-lock bøsninger				
Koblingshalvpart:				
Type 130TL, indv. Montering			50 1854 131	252,00
Type 130TL, udv. Montering			50 1854 132	252,00
Gummielement:				
Type 130TL			50 1854 135	124,00
Taper-lock bøsninger:				
Udboring mm	Not mm	Type		
14	5	1610	50 1854 214	108,00
16	5	1610	50 1854 216	108,00
18	6	1610	50 1854 218	108,00
19	6	1610	50 1854 219	108,00
20	6	1610	50 1854 220	108,00
22	6	1610	50 1854 222	108,00
24	8	1610	50 1854 224	108,00
25	8	1610	50 1854 225	108,00
28	8	1610	50 1854 228	108,00
30	8	1610	50 1854 230	108,00
32	10	1610	50 1854 232	108,00
35	10	1610	50 1854 235	108,00
38	10	1610	50 1854 238	108,00
40	12	1610	50 1854 240	108,00
42	12	1610	50 1854 242	108,00
Udv. Diameter på bøsning: 70mm Skruer: WG x Længde 7/16" x 7/8" Forspændingsmoment: Nm 31				

TEKNISKE DATA



DIMENSIONS

Size of coupling BICO-TL	Bores		Bush TL	Du	d	L	l	T	B	C	Wrench clearance W
	Min. D	Max. D									
Ref.	mm	mm	Ref.	mm	mm	mm	mm	mm	mm	mm	mm
70-TL	9	25	1008	69	60	65,0	30,2	23,5	10,5	4,6	29
90-TL	9	28	1108	85	70	70,0	33,2	23,5	13,7	3,6	29
110-TL	11	32	1210	112	100	83,0	39,7	27,0	21,0	3,6	38
130-TL	14	42	1610	130	105	90,0	42,0	27,0	24,0	6,0	38
150-TL	14	50	2012	150	115	107,0	50,0	33,5	26,5	7,2	42
180-TL	16	60	2517	180	125	141,0	67,0	46,5	32,5	7,2	48
230-TL	25	75	3020	225	155	164,0	76,6	52,5	37,5	10,8	55
280-TL	35	100	3525	275	206	207,5	100,6	66,5	49,6	6,3	67

TYPE OF RUBBER

Type	Characteristics	Temperature standard range	Wear resistance	Resistancy against oil
Ref.		°C		
F	Nitril rubber, standard quality for all applications	-20 < t < +60	Good	Very good

DIMENSIONS

Diameter		Keys cross-sect. b x h	Keyway depth		Tol. for t ₁ / t ₂
above	up to		shaft t ₁	hub t ₂	
6	8	2 x 2	1,2	1,0	+ 0,1 0
8	10	3 x 3	1,8	1,4	
10	12	4 x 4	2,5	1,8	
12	17	5 x 5	3,0	2,3	
17	22	6 x 6	3,5	2,8	
22	30	8 x 7	4,0	3,3	+ 0,2 0
30	38	10 x 8	5,0	3,3	
38	44	12 x 8	5,0	3,3	
44	50	14 x 9	5,5	3,8	
50	58	16 x 10	6,0	4,3	
58	65	18 x 11	7,0	4,4	
65	75	20 x 12	7,5	4,9	
75	85	22 x 14	9,0	5,4	
85	95	25 x 14	9,0	5,4	
95	110	28 x 16	10,0	6,4	
110	130	32 x 18	11,0	7,4	+ 0,3 0
130	150	36 x 20	12,0	8,4	
150	170	40 x 22	13,0	9,4	
170	200	45 x 25	15,0	10,4	
200	230	50 x 28	17,0	11,4	

(ISO R 773: 1969)

ISO TOLERANCES

Nom. diameter		Bore		Shaft			
above	up to	H7	H8	k6	j6	g6	h7
mm	mm	µm	µm	µm	µm	µm	µm
6	10	+15 0	+22 0	+10 +1	+7 -2	-5 -14	0 -15
10	18	+18 0	+27 0	+12 +1	+8 -3	-6 -17	0 -18
18	30	+21 0	+33 0	+15 +2	+9 -4	-7 -20	0 -21
30	50	+25 0	+39 0	+18 +2	+11 -5	-9 -25	0 -25
50	80	+30 0	+46 0	+21 +2	+12 -7	-10 -29	0 -30
80	120	+35 0	+54 0	+25 +3	+13 -9	-12 -34	0 -35
120	180	+40 0	+63 0	+28 +3	+14 -11	-14 -39	0 -40
180	250	+46 0	+72 0	+33 +4	+16 -13	-15 -44	0 -46

(ISO 286-1: 1988)

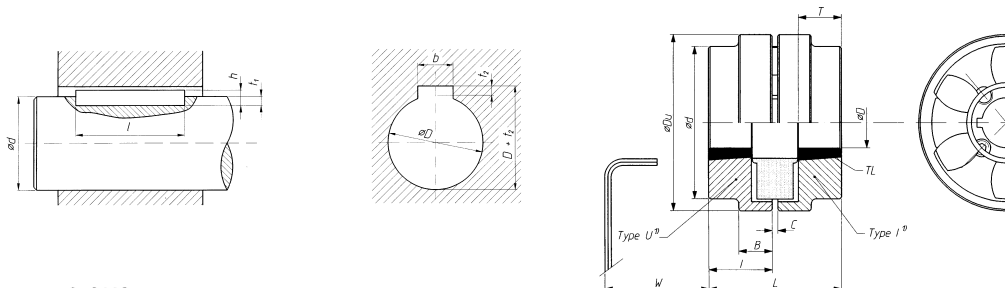
FITS

Type of fit	Keyway width		Diameter		Characteristic of fit
	Shaft	Hub	Shaft	Hub	
Clearance fit	H8	D10	g6	H7	Moveable
Clearance fit	N9	Js9	h7	H8	Easy mounting
Push fit Easy to pull out	P9	P9	j6	H7	For oscillation torques
Transition fit hard to pull out	P9	P9	k6	H7	Solid, only rarely dismounting

MOTORKOBLINGER

				Varenr.	Enhedspris kr.
BICO MOTORKOBL. 150TL					
Bico motorkoblingsæt består af: 2 stk. Koblingshalvparter 1 stk. Gummielement 2 stk. Taper-lock bøsninger					
Koblingshalvpart:					
Type 150TL, indv. Montering				50 1855 151	297,00
Type 150TL, udv. Montering				50 1855 152	297,00
Gummielement:					
Type 150TL				50 1855 155	161,00
Taper-lock bøsninger:					
	Udboring mm	Not mm	Type		
	14	5	2012	50 1855 214	137,00
	16	5	2012	50 1855 216	137,00
	18	6	2012	50 1855 218	137,00
	19	6	2012	50 1855 219	137,00
	20	6	2012	50 1855 220	137,00
	22	6	2012	50 1855 222	137,00
	24	8	2012	50 1855 224	137,00
	25	8	2012	50 1855 225	137,00
	28	8	2012	50 1855 228	137,00
	30	8	2012	50 1855 230	137,00
	32	10	2012	50 1855 232	137,00
	35	10	2012	50 1855 235	137,00
	38	10	2012	50 1855 238	137,00
	40	12	2012	50 1855 240	137,00
	42	12	2012	50 1855 242	137,00
	45	14	2012	50 1855 245	137,00
	48	14	2012	50 1855 248	137,00
	50	14	2012	50 1855 250	137,00
Udsv. Diameter på bøsning: 70mm Skruer: WG x Længde 7/16" x 7/8" Forspændingsmoment: Nm 31					

TEKNISKE DATA



DIMENSIONS

Size of coupling BICO-TL	Bores		Bush TL	Du	d	L	l	T	B	C	Wrench clearance W
	Min. D	Max. D									
Ref.	mm	mm	Ref.	mm	mm	mm	mm	mm	mm	mm	mm
70-TL	9	25	1008	69	60	65,0	30,2	23,5	10,5	4,6	29
90-TL	9	28	1108	85	70	70,0	33,2	23,5	13,7	3,6	29
110-TL	11	32	1210	112	100	83,0	39,7	27,0	21,0	3,6	38
130-TL	14	42	1610	130	105	90,0	42,0	27,0	24,0	6,0	38
150-TL	14	50	2012	150	115	107,0	50,0	33,5	26,5	7,2	42
180-TL	16	60	2517	180	125	141,0	67,0	46,5	32,5	7,2	48
230-TL	25	75	3020	225	155	164,0	76,6	52,5	37,5	10,8	55
280-TL	35	100	3525	275	206	207,5	100,6	66,5	49,6	6,3	67

TYPE OF RUBBER

Type	Characteristics	Temperature standard range	Wear resistance	Resistancy against oil
Ref.		°C		
F	Nitril rubber, standard quality for all applications	-20 < t < +60	Good	Very good

DIMENSIONS

Diameter		Keys cross-sect. b x h	Keyway depth		Tol. for t ₁ / t ₂
above	up to		shaft t ₁	hub t ₂	
6	8	2 x 2	1,2	1,0	+ 0,1 0
8	10	3 x 3	1,8	1,4	
10	12	4 x 4	2,5	1,8	
12	17	5 x 5	3,0	2,3	
17	22	6 x 6	3,5	2,8	
22	30	8 x 7	4,0	3,3	+ 0,2 0
30	38	10 x 8	5,0	3,3	
38	44	12 x 8	5,0	3,3	
44	50	14 x 9	5,5	3,8	
50	58	16 x 10	6,0	4,3	
58	65	18 x 11	7,0	4,4	
65	75	20 x 12	7,5	4,9	
75	85	22 x 14	9,0	5,4	
85	95	25 x 14	9,0	5,4	
95	110	28 x 16	10,0	6,4	
110	130	32 x 18	11,0	7,4	+ 0,3 0
130	150	36 x 20	12,0	8,4	
150	170	40 x 22	13,0	9,4	
170	200	45 x 25	15,0	10,4	
200	230	50 x 28	17,0	11,4	

(ISO R 773: 1969)

ISO TOLERANCES

Nom. diameter		Bore		Shaft			
above	up to	H7	H8	k6	j6	g6	h7
mm	mm	µm	µm	µm	µm	µm	µm
6	10	+15 0	+22 0	+10 +1	+7 -2	-5 -14	0 -15
10	18	+18 0	+27 0	+12 +1	+8 -3	-6 -17	0 -18
18	30	+21 0	+33 0	+15 +2	+9 -4	-7 -20	0 -21
30	50	+25 0	+39 0	+18 +2	+11 -5	-9 -25	0 -25
50	80	+30 0	+46 0	+21 +2	+12 -7	-10 -29	0 -30
80	120	+35 0	+54 0	+25 +3	+13 -9	-12 -34	0 -35
120	180	+40 0	+63 0	+28 +3	+14 -11	-14 -39	0 -40
180	250	+46 0	+72 0	+33 +4	+16 -13	-15 -44	0 -46

(ISO 286-1: 1988)

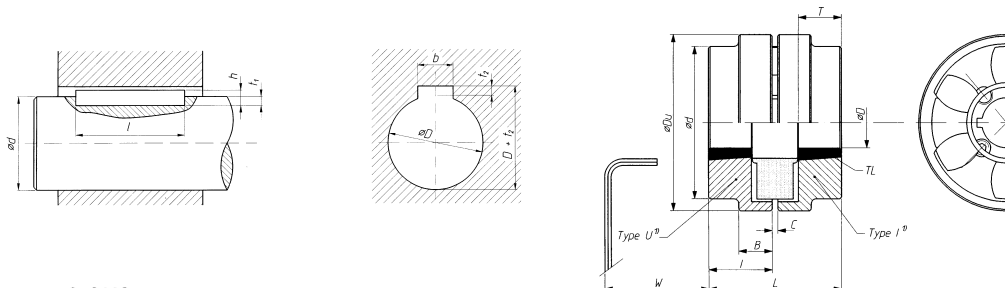
FITS

Type of fit	Keyway width		Diameter		Characteristic of fit
	Shaft	Hub	Shaft	Hub	
Clearance fit	H8	D10	g6	H7	Moveable
Clearance fit	N9	Js9	h7	H8	Easy mounting
Push fit Easy to pull out	P9	P9	j6	H7	For oscillation torques
Transition fit hard to pull out	P9	P9	k6	H7	Solid, only rarely dismounting

MOTORKOBLINGER

			Varenr.	Enhedspris kr.
BICO MOTORKOBL. 180TL				
 <p>Bico motorkoblingsæt består af: 2 stk. Koblingshalvparter 1 stk. Gummielement 2 stk. Taper-lock bøsninger</p>				
Koblingshalvpart:				
Type 180TL, indv. Montering			50 1856 181	465,00
Type 180TL, udv. Montering			50 1856 182	465,00
Gummielement:				
Type 180TL			50 1856 185	272,00
Taper-lock bøsninger:				
Udboring mm	Not mm	Type		
16	5	2517	50 1856 216	176,00
18	6	2517	50 1856 218	176,00
19	6	2517	50 1856 219	176,00
20	6	2517	50 1856 220	176,00
22	6	2517	50 1856 222	176,00
24	8	2517	50 1856 224	176,00
25	8	2517	50 1856 225	176,00
28	8	2517	50 1856 228	176,00
30	8	2517	50 1856 230	176,00
32	10	2517	50 1856 232	176,00
35	10	2517	50 1856 235	176,00
38	10	2517	50 1856 238	176,00
40	12	2517	50 1856 240	176,00
42	12	2517	50 1856 242	176,00
45	14	2517	50 1856 245	176,00
48	14	2517	50 1856 248	176,00
50	14	2517	50 1856 250	176,00
55	16	2517	50 1856 255	176,00
60	18	2517	50 1856 260	176,00
 <p>Udv. Diameter på bøsning: 85,5 mm Skruer: WG x Længde 7/16" x 7/8" Forspændingsmoment: Nm 31</p>				

TEKNISKE DATA



DIMENSIONS

Size of coupling BICO-TL	Bores		Bush TL	Du	d	L	l	T	B	C	Wrench clearance W
	Min. D	Max. D									
Ref.	mm	mm	Ref.	mm	mm	mm	mm	mm	mm	mm	mm
70-TL	9	25	1008	69	60	65,0	30,2	23,5	10,5	4,6	29
90-TL	9	28	1108	85	70	70,0	33,2	23,5	13,7	3,6	29
110-TL	11	32	1210	112	100	83,0	39,7	27,0	21,0	3,6	38
130-TL	14	42	1610	130	105	90,0	42,0	27,0	24,0	6,0	38
150-TL	14	50	2012	150	115	107,0	50,0	33,5	26,5	7,2	42
180-TL	16	60	2517	180	125	141,0	67,0	46,5	32,5	7,2	48
230-TL	25	75	3020	225	155	164,0	76,6	52,5	37,5	10,8	55
280-TL	35	100	3525	275	206	207,5	100,6	66,5	49,6	6,3	67

TYPE OF RUBBER

Type	Characteristics	Temperature standard range	Wear resistance	Resistancy against oil
Ref.		°C		
F	Nitril rubber, standard quality for all applications	-20 < t < +60	Good	Very good

DIMENSIONS

Diameter		Keys cross-sect. b x h	Keyway depth		Tol. for t ₁ / t ₂
above	up to		shaft t ₁	hub t ₂	
6	8	2 x 2	1,2	1,0	+ 0,1 0
8	10	3 x 3	1,8	1,4	
10	12	4 x 4	2,5	1,8	
12	17	5 x 5	3,0	2,3	
17	22	6 x 6	3,5	2,8	
22	30	8 x 7	4,0	3,3	+ 0,2 0
30	38	10 x 8	5,0	3,3	
38	44	12 x 8	5,0	3,3	
44	50	14 x 9	5,5	3,8	
50	58	16 x 10	6,0	4,3	
58	65	18 x 11	7,0	4,4	
65	75	20 x 12	7,5	4,9	
75	85	22 x 14	9,0	5,4	
85	95	25 x 14	9,0	5,4	
95	110	28 x 16	10,0	6,4	
110	130	32 x 18	11,0	7,4	+ 0,3 0
130	150	36 x 20	12,0	8,4	
150	170	40 x 22	13,0	9,4	
170	200	45 x 25	15,0	10,4	
200	230	50 x 28	17,0	11,4	

(ISO R 773: 1969)

ISO TOLERANCES

Nom. diameter		Bore		Shaft			
above	up to	H7	H8	k6	j6	g6	h7
mm	mm	µm	µm	µm	µm	µm	µm
6	10	+15 0	+22 0	+10 +1	+7 -2	-5 -14	0 -15
10	18	+18 0	+27 0	+12 +1	+8 -3	-6 -17	0 -18
18	30	+21 0	+33 0	+15 +2	+9 -4	-7 -20	0 -21
30	50	+25 0	+39 0	+18 +2	+11 -5	-9 -25	0 -25
50	80	+30 0	+46 0	+21 +2	+12 -7	-10 -29	0 -30
80	120	+35 0	+54 0	+25 +3	+13 -9	-12 -34	0 -35
120	180	+40 0	+63 0	+28 +3	+14 -11	-14 -39	0 -40
180	250	+46 0	+72 0	+33 +4	+16 -13	-15 -44	0 -46

(ISO 286-1: 1988)

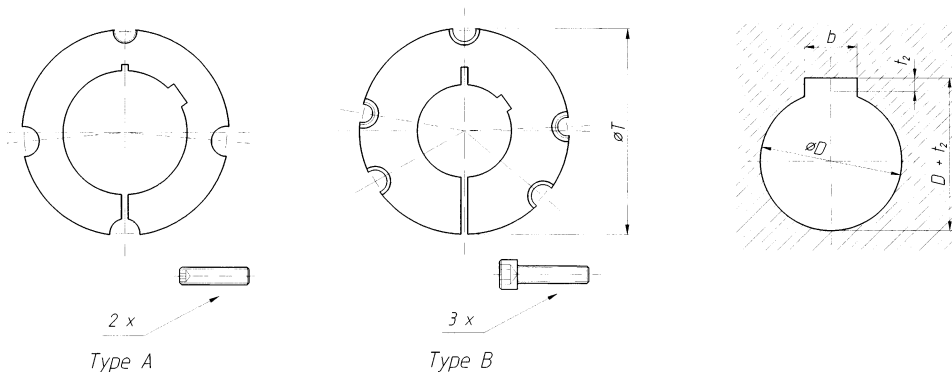
FITS

Type of fit	Keyway width		Diameter		Characteristic of fit
	Shaft	Hub	Shaft	Hub	
Clearance fit	H8	D10	g6	H7	Moveable
Clearance fit	N9	Js9	h7	H8	Easy mounting
Push fit Easy to pull out	P9	P9	j6	H7	For oscillation torques
Transition fit hard to pull out	P9	P9	k6	H7	Solid, only rarely dismounting

MOTORKOBLINGSTABEL

Motor			Coupling																														
Type	Shaft dia.	Motor power	3000 r.p.m.			1500 r.p.m.			1000 r.p.m.			750 r.p.m.																					
			LB	BICO		Motor power	LB	BICO		Motor power	LB	BICO		Motor power	LB	BICO																	
Ref.	mm	KW	Ref.	Ref.	Ref.	KW	Ref.	Ref.	Ref.	KW	Ref.	Ref.	Ref.	KW	Ref.	Ref.	Ref.																
63B	14	0,25	102	70TL	70S	0,18	102	70TL	70S	0,12	102	70TL	70S	0,055	102	70TL	70S																
63D		0,18																															
71		0,37																															
71A		0,25																															
71B		0,55																															
80A	0,75																																
80B	1,1																																
90S	1,5																																
90L	2,2																																
100L	3																																
100LA	28	4	103 1/2	130TL	90S	7,5	103 1/2	130TL	110S	4	104	130TL	110S	4	104	130TL	110S																
100LB																		2,2															
112M																		3															
132S																		5,5															
132SA																		7,5															
132SB	11																																
132M	15																																
132MA	18,5																																
132MB	22																																
160MA	30																																
160M	37																																
160L	45																																
180M	55																																
180L	75																																
200LA	55/60	55	106	180TL	130S	37	106	180TL	180S	30	107	180TL	180S	18,5	106	180TL	180S																
200L																		45															
225S																		75															
225M																		90															
250M																		110															
280S	132																																
280M	160																																
315S	65/75	160																107	230TL	180S	110	107	230TL	230S	75	108	230TL	230S	55	107	230TL	230S	
315MA																																	132
315MB																																	200
355S			250																														
355MA			280																														
355MB	315																																
355MC	200																																
	250																																
	280																																
	315																																
	355																																
	400																																
	450																																
	500																																
	550																																
	600																																
	650																																
	700																																
	750																																
	800																																
	850																																
	900																																
	950																																
	1000																																
	1050																																
	1100																																
	1150																																
	1200																																
	1250																																
	1300																																
	1350																																
	1400																																
	1450																																
	1500																																
	1550																																
	1600																																
	1650																																
	1700																																
	1750																																
	1800																																
	1850																																
	1900																																
	1950																																
	2000																																
	2050																																
	2100																																
	2150																																
	2200																																
	2250																																
	2300																																
	2350																																
	2400																																
	2450																																
	2500																																
	2550																																
	2600																																
	2650																																
	2700																																
	2750																																
	2800																																
	2850																																
	2900																																
	2950																																
	3000																																
	3050																																
	3100																																
	3150																																
	3200																																
	3250																																
	3300																																
	3350																																
	3400																																
	3450																																
	3500																																
	3550																																
	3600																																
	3650																																
	3700																																
	3750																																
	3800																																
	3850																																
	3900																																
	3950																																
	4000																																
	4050																																
	4100																																
	4150																																
	4200																																
	4250																																
	4300																																
	4350																																
	4400																																
	4450																																
	4500																																
	4550																																
	4600																																
	4650																																
	4700																																
	4750																																
	4800																																
	4850																																
	4900																																
	4950																																
	5000																																
	5050																																
	5100																																
	5150																																
	5200																																
	5250																																
	5300																																
	5350																																
	5400																																
	5450																																
	5500																																
	5550																																
	5600																																
	5650																																
	5700																																
	5750																																
	5800																																
	5850																																
	5900																																
	5950																																
	6000																																
	6050																																
	6100																																
	6150																																
	6200																																
	6250																																
	6300																																
	6350																																
	6400																																
	6450																																
	6500																																
	6550																																
	6600																																
	6650																																
	6700																																
	6750																																
	6800																																
	6850																																
	6900																																
	6950																																
	7000																																
	7050																																
	7100																																
	7150																																
	7200																																
	7250																																
	7300																																
	7350																																
	7400																																
	7450																																
	7500																																
	7550																																
	7600																																
	7650																																
	7700																																
	7750																																
	7800																																
	7850																																
	7900																																
	7950																																
	8000																																
	8050																																
	8100																																
	8150																																
	8200																																
	8250																																
	8300																																
	8350																																
	8400																																
	8450																																
	8500																																
	8550																																
	8600																																
	8650																																
	8700																																
	8750																																
	8800																																
	8850																																
	8900																																
	8950																																
	9000																																
	9050																																
	9100																																
	9150																																
	9200																																
	9250																																
	9300																																
	9350																																
	9400																																
	9450																																
	9500																																
	9550																																
	9600																																
	9650																																
	9700																																
	9750																																
	9800																																
	9850																																
	9900																																
	9950																																
	10000																																

BØSNINGSTABEL



D	b	t ₂	*	Size								
				1008	1108	1210	1610	2012	2517	3020	3525	
9	3	1,4	-	●	●							
10	3	1,4	-	●	●							
11	4	1,8	-	●	●	●						
12	4	1,8	-	●	●	●						
14	5	2,3	-	●	●	●	●	●				
16	5	2,3	-	●	●	●	●	●	●			
18	6	2,8	-	●	●	●	●	●	●			
19	6	2,8	-	●	●	●	●	●	●			
20	6	2,8	-	●	●	●	●	●	●			
22	6	3,3	-	●	●	●	●	●	●			
24	8	3,3	1,3	●*	●	●	●	●	●			
25	8	3,3	1,3	●*	●	●	●	●	●	●		
28	8	3,3	1,3		●*	●	●	●	●	●		
30	8	3,3	-			●	●	●	●	●		
32	10	3,3	-			●	●	●	●	●		
35	10	3,3	-				●	●	●	●	●	
38	10	3,3	-				●	●	●	●	●	
40	12	3,3	1,3				●*	●	●	●	●	
42	12	3,3	1,3				●*	●	●	●	●	
45	14	3,8	-					●	●	●	●	
48	14	3,8	-					●	●	●	●	
50	14	3,8	-					●	●	●	●	
55	16	4,3	-						●	●	●	
60	18	4,4	-						●	●	●	
65	18	4,4	-							●	●	
70	20	4,9	-							●	●	
75	20	4,9	-							●	●	
80	22	5,4	-								●	
85	22	5,4	-								●	
90	25	5,4	-								●	
100	28	6,4	-								●	
TYPE				A	A	A	A	A	A	A	A	B
T				mm	35,0	38,0	47,5	57,0	70,0	85,5	108,0	127,0
Appr. Weight				kg	0,1	0,1	0,2	0,3	0,7	1,5	2,7	3,8
Screws				B.S.W.	1/4"	1/4"	3/8"	3/8"	7/16"	1/2"	5/8"	1/2"
Tightening torque				Nm	5,6	5,6	20	20	31	48	90	113

* Bush with reduced height for keyway.